

☆☆☆ 120 Series ☆☆☆

P/N: W120H**GRS

Material: LCP RESIN, UL 94V-0

Termianl: Copper Alloy, Gold-Flash

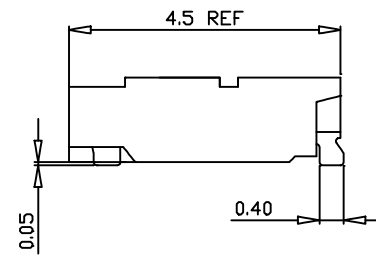
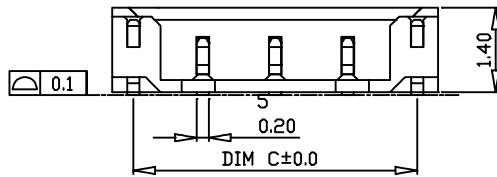
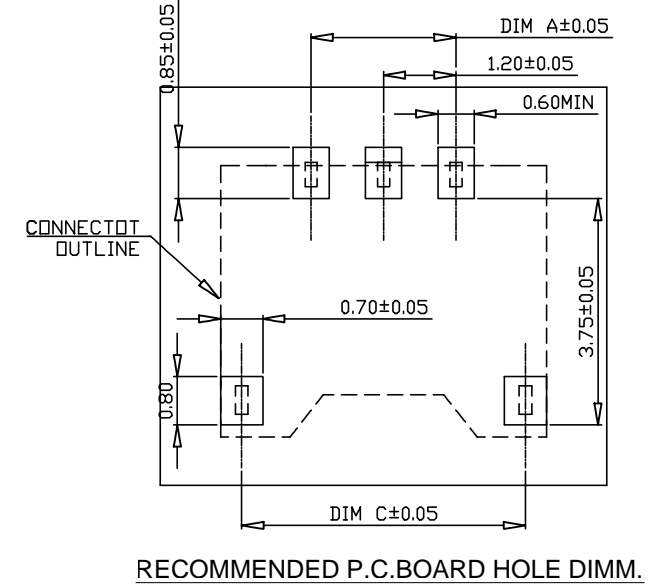
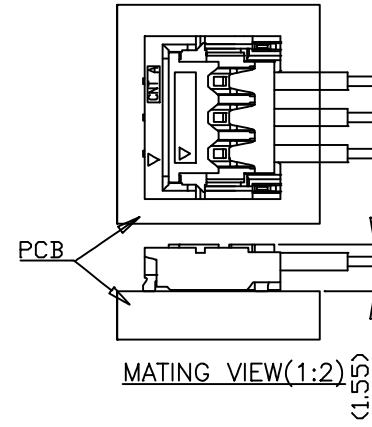
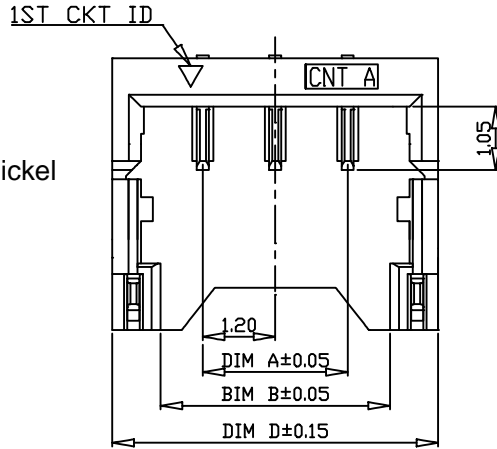
Fitting Nail: Copper Alloy, Tin 100u" over Nickel

Available: 2~7P

Current Rating: 1.5A

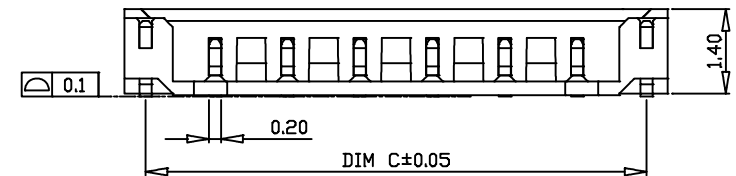
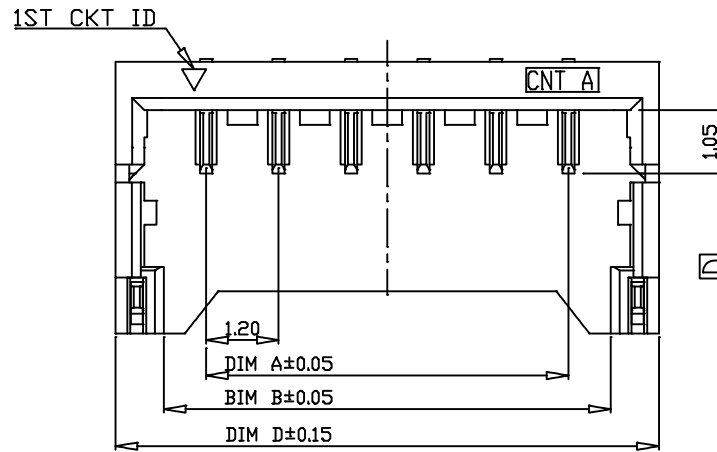
Voltage Rating: 50V AC/DC

Operating Temperature: -25°C~85°C



2~5P

6~7P



Circuitis	Dim. A	Dim. B	Dim.C	Dim. D
2	1.20	2.60	3.50	4.20
3	2.40	3.80	4.70	5.40
4	3.60	5.00	5.90	6.60
5	4.80	6.20	7.10	7.80
6	6.00	7.40	8.30	9.00
7	7.20	8.60	9.50	10.20

TITLE

.047"(1.2mm) Wire to Board Wafer

.x ±0.25 x° ±2°
.xx ±0.15 DIMENSION
.xxx ±0.05 TOLERANCE

P/N	W120H**GRS	CHECKED	David	UNIT	mm	DATE	2014/01/20
DRAWN	Michael	APPROVED	Lily	SCALE	1:1	REV	A



RoHS Compliant

@ <http://www.cnj.tw/>

☆☆☆ 120 Series ☆☆☆

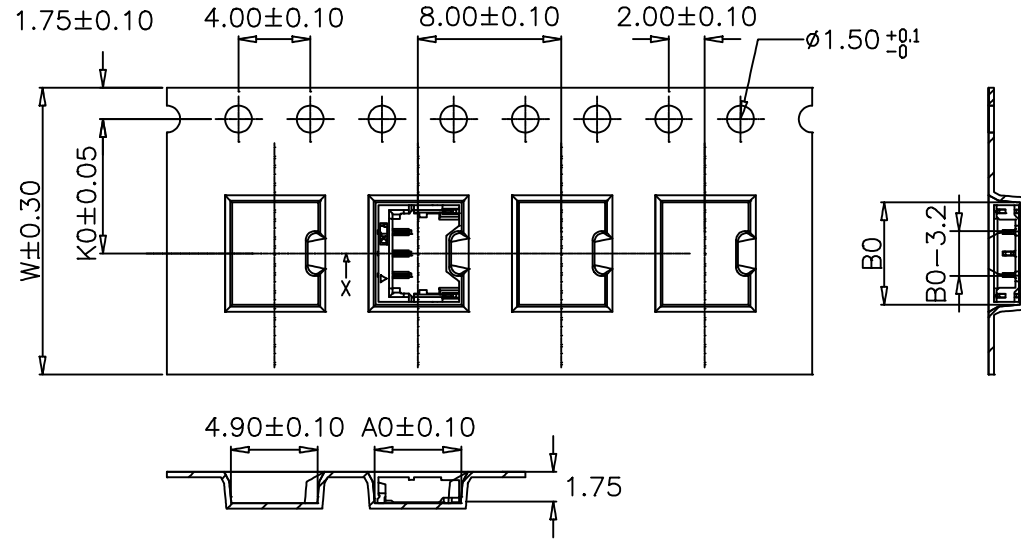
Carton: 340*340*345(mm)

Reel: 330*16(mm)

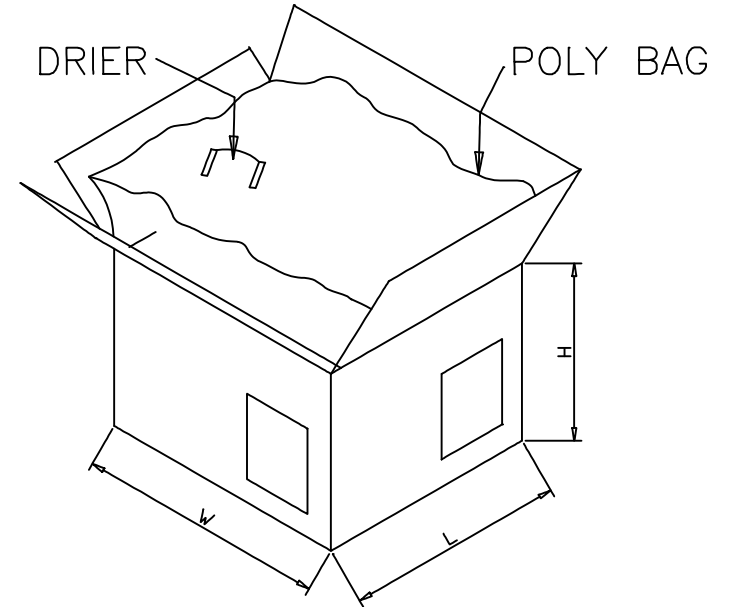
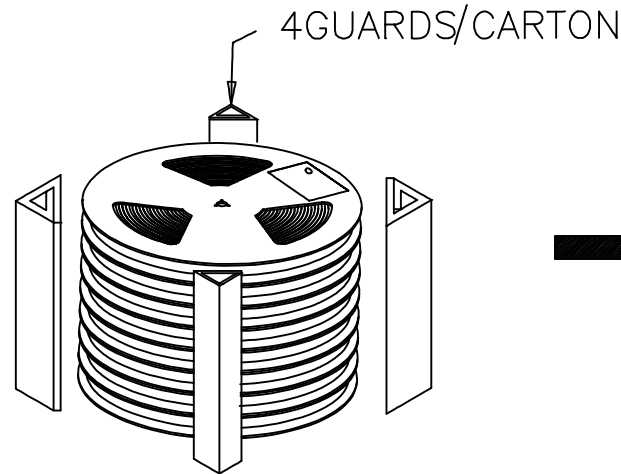
Material: Conductive polystyrene

Length for 22" Reel: 98.5 Meters.(1:3)

PCS: see table below



Circuitis	W	B	K
2	12.0	4.50	5.500
3	16.0	5.70	7.500
4	16.0	6.90	7.500
5	16.0	8.10	7.500
6	16.0	9.30	7.500
7	24.0	10.50	11.500



TITLE .047"(1.2mm) Wire to Board Wafer Packing Info.

.x ±0.25 x° ±2°
.xx ±0.15 DIMENSION
.xxx ±0.05 TOLERANCE

P/N	W120H**GRS	CHECKED	David	UNIT	mm	DATE	2014/01/20
DRAWN	Michael	APPROVED	Lily	SCALE	1:1	REV	A

RoHS Compliant

@ <http://www.cnj.tw/>

☆☆☆ 120 Series ☆☆☆

P/N: H120S**000

Material: Nylon 6/6, UL 94V-0, Natural or Black

Available: 2~6P

Accept: T120C00G00

Mate with W120V**G0S

Current Rating: 2A AC/DC

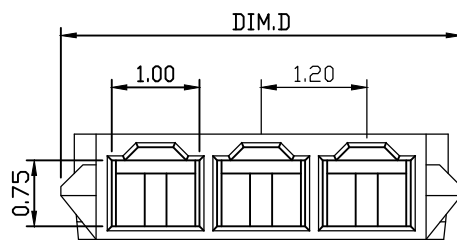
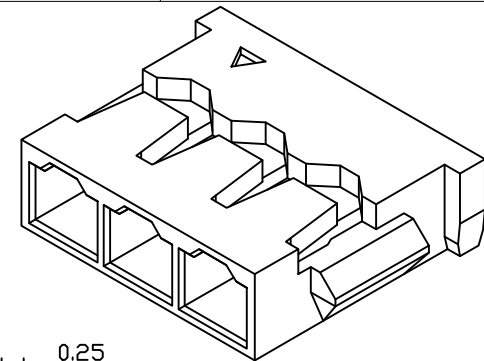
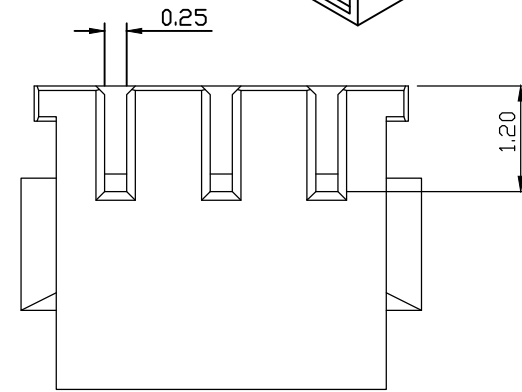
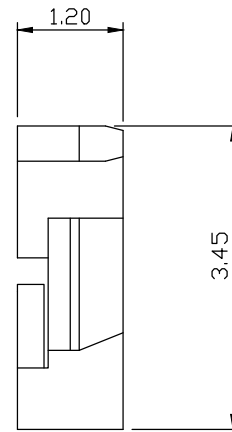
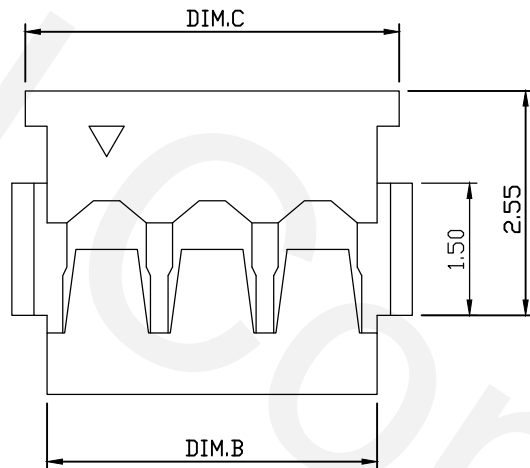
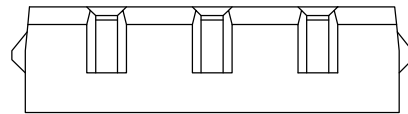
Voltage Rating: 50V AC,DC

Contact Resistance: 10mΩ Max.

Insulation Resistance: 100MΩ Min.

Withstanding Voltage: 500V AC/minute

Operating Temperature Range: -25°C~85°C



Circuitis	Dim. A	Dim. B	Dim. C	Dim. D
2	1.20	2.55	3.05	3.35
3	2.40	3.75	4.25	4.55
4	3.60	4.95	5.45	5.75
5	4.80	6.15	6.65	6.95
6	6.00	7.35	7.85	8.15

RoHS Compliant



TEL: 886-2-86871898 FAX: 886-2-86872959
 Mail: tceldh@gmail.com Web: http://www.cnj.tw/

TITLE

.047"(1.2mm) Wire to Board Housing

DIMENSION TOLERANCE

.x ±0.30 x° ±2°
 .xx ±0.20
 .xxx ±0.10

P/N	H120S**000	CHECKED	David	UNIT	mm	DATE	2013/8/10
DRAWN	Michael	APPROVED	Lily	SCALE	1:1	REV	A

☆☆☆ 120 Series ☆☆☆

P/N: T120C00G00

Material: T0.12mm, Copper Alloy, Gold-Flash

Mate with H120S**G00

Current Rating: 2A AC/DC

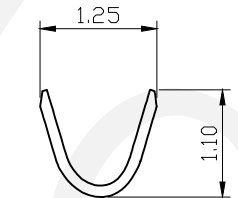
Voltage Rating: 50V AC/DC

Contact Resistance: 10mΩ Max.

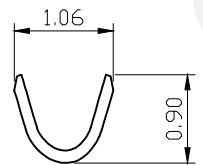
Insulation Resistance: 100MΩ Min.

Withstanding Voltage: 500V AC/minute

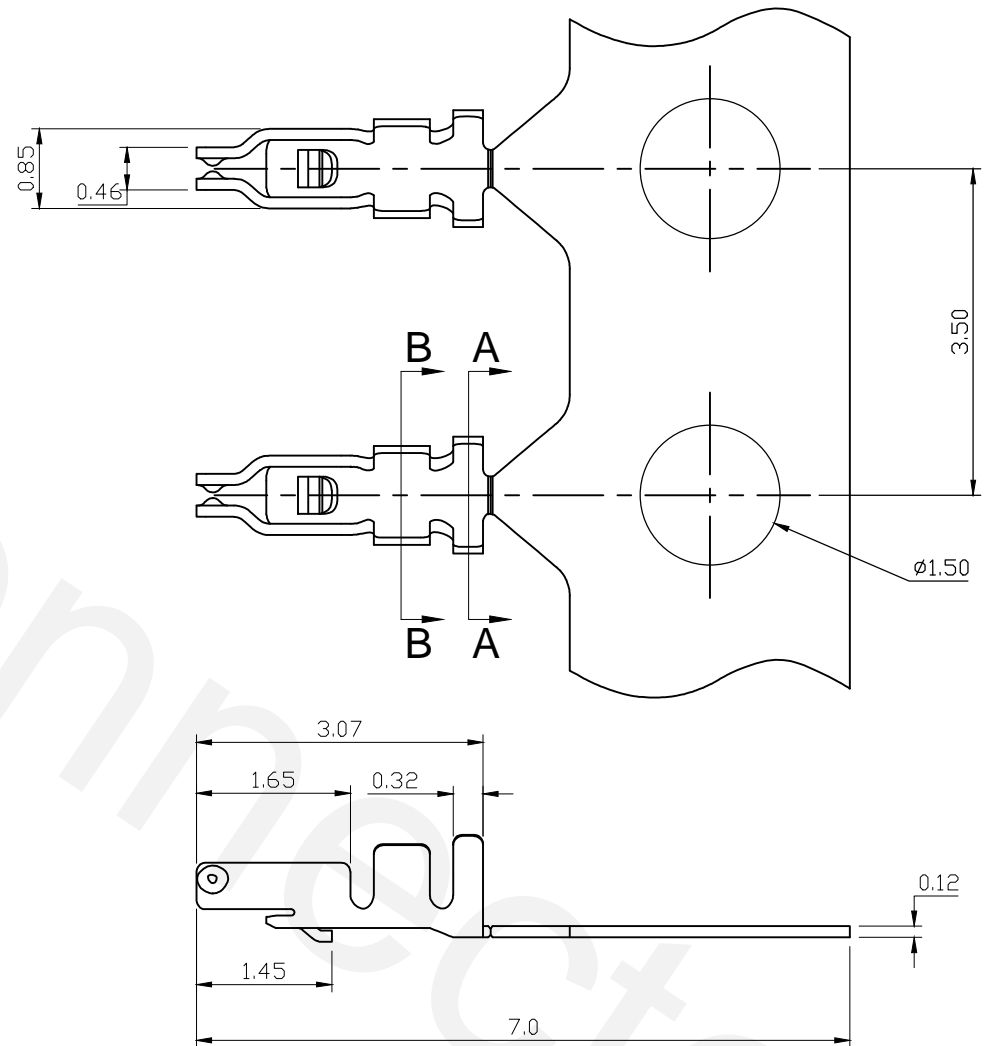
Operating Temperature Range: -25°C~85°C



Section A-A



Section B-B



RoHS Compliant



C&J Connector

TEL: 886-2-86871898

FAX: 886-2-86872959

Mail: tceldh@gmail.com

Web: <http://www.cnj.tw/>

TITLE

.047"(1.2mm) Wire to Board Terminal

DIMENSION TOLERANCE

.x ±0.30 x° ±2°

.xx ±0.20

.xxx ±0.10

P/N

T120C00G00

CHECKED

David

UNIT

mm

DATE

2013/8/10

DRAWN

Michael

APPROVED

Lily

SCALE

1:1

REV

A

☆☆☆ 120 Series ☆☆☆

P/N: W120H**G0S

Material: LCP, UL 94V-0

Contact: T0.2mm, Chopper Alloy, Gold-Flash

Tab: T0.2mm, Copper Alloy, Nickel Plated

Available: 2~6P

Mate with H120S**000

Current Rating: 2A AC/DC

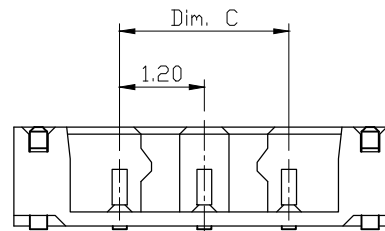
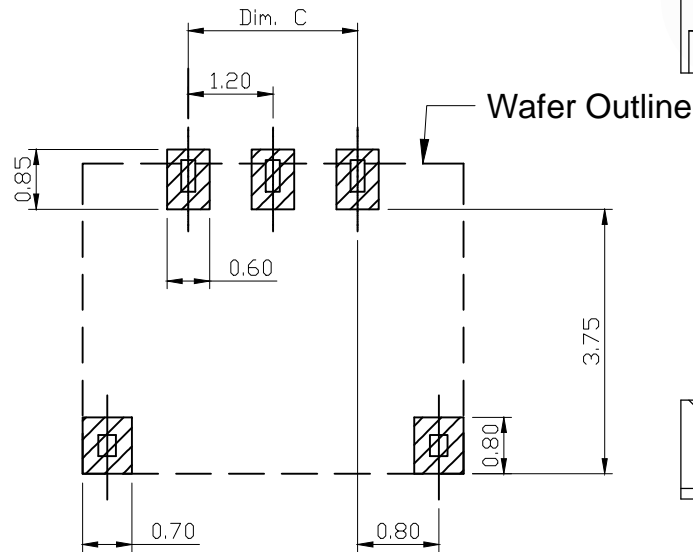
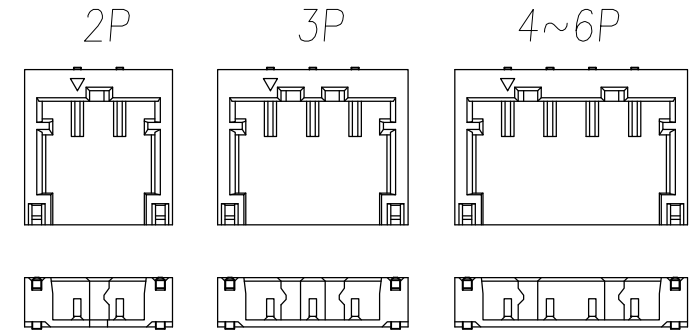
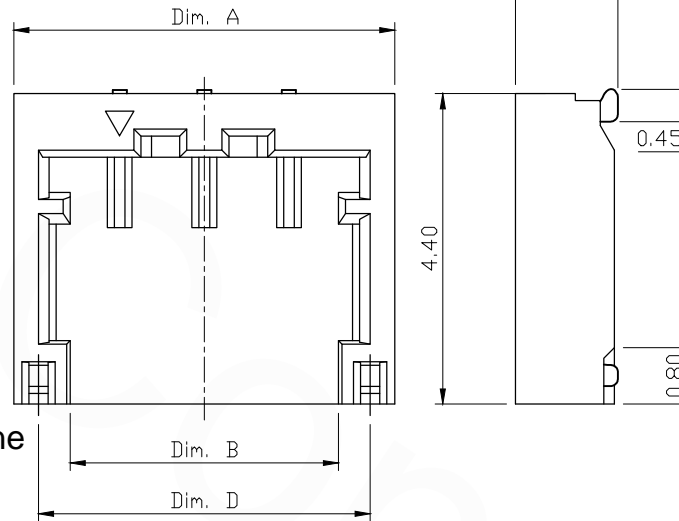
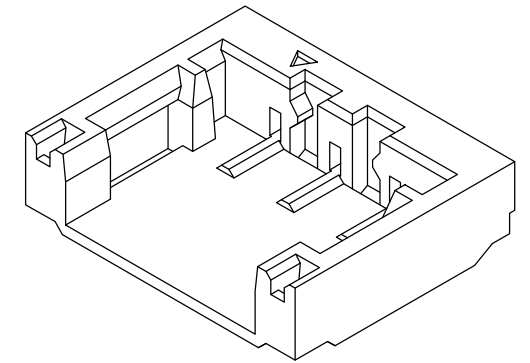
Voltage Rating: 250V AC,DC

Contact Resistance: 10mΩ Max.

Insulation Resistance: 100MΩ Min.

Withstanding Voltage: 500V AC/minute

Operating Temperature Range: -25°C~85°C



Circuitis	Dim. A	Dim. B	Dim. C	Dim. D
2	4.20	2.60	1.20	3.50
3	5.40	3.80	2.40	4.70
4	6.60	5.00	3.60	5.90
5	7.80	6.20	4.80	7.10
6	9.00	7.40	6.00	8.30

RoHS Compliant



TEL: 886-2-86871898 FAX: 886-2-86872959
Mail: tceldh@gmail.com Web: http://www.cnj.tw/

TITLE
.047"(1.2mm) Wire to Board Horizontal SMT Wafer

DIMENSION TOLERANCE
.x ±0.30 x° ±2°
.xx ±0.20
.xxx ±0.10

P/N	W120H**G0S	CHECKED	David	UNIT	mm	DATE	2013/8/10
DRAWN	Michael	APPROVED	Lily	SCALE	1:1	REV	A