

☆☆☆ 150 Series ☆☆☆

P/N: H150S**000

Material: Nylon 6/6, UL 94V-2, White

Available: 2~13P

Mate with W150

Current Rating: 1A AC/DC

Voltage Rating: 100V AC/DC

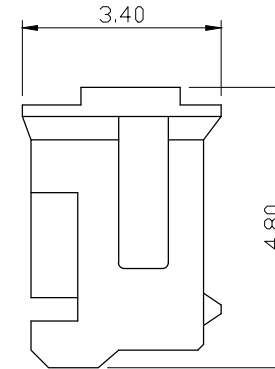
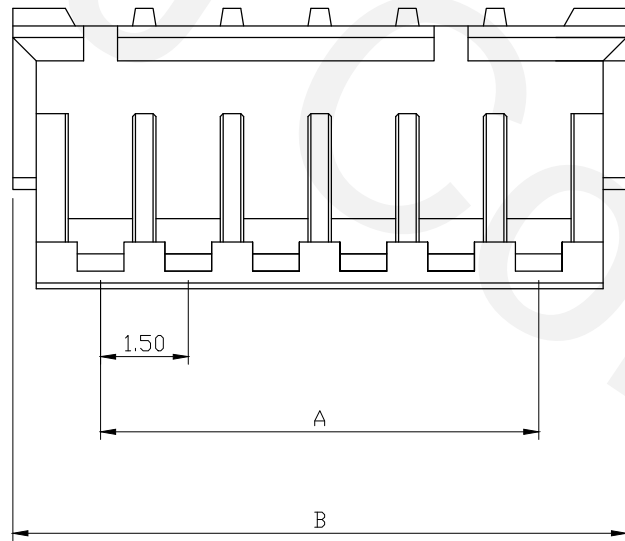
Contact Resistance: 20mΩ Max.

Insulation Resistance: 500MΩ Min.

Withstanding Voltage: 500V AC/minute

Operating Temperature Range: -25°C~85°C

REVISIONS			
REV	DESCRIPTION	DATE	DRAWN
A			



Circuitis	Dim. A	Dim. B
2	1.50	4.50
3	3.00	6.00
4	4.50	7.50
5	6.00	9.00
6	7.50	10.50
7	9.00	12.00
8	10.50	13.50
9	12.00	15.00
10	13.50	16.50
11	15.00	18.00
12	16.50	19.50
13	18.00	21.00

RoHS Compliant



TEL: 886-2-86871898 FAX: 886-2-86872959
 Mail: tceldh@gmail.com Web: http://www.cnj.tw/

TITLE

.059"(1.5mm) Wire to Board Housing

DIMENSION TOLERANCE

.x ±0.30 x° ±2°
 .xx ±0.20
 .xxx ±0.10

P/N	H150S**000	CHECKED	David	UNIT	mm	DATE	2010/08/03
DRAWN	Michael	APPROVED	Lily	SCALE	1:1	REV	A

A

B

C

D

E

F

☆☆☆ 150 Series ☆☆☆

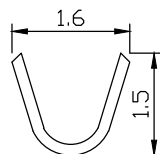
P/N: T150P00T00

Conductor: Phosphor Bronze/ Tin-Plated

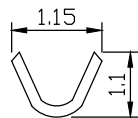
Thickness: 0.2mm

REVISIONS

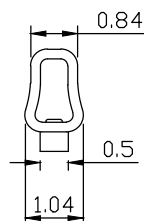
REV	DESCRIPTION	DATE	DRAWN
A			



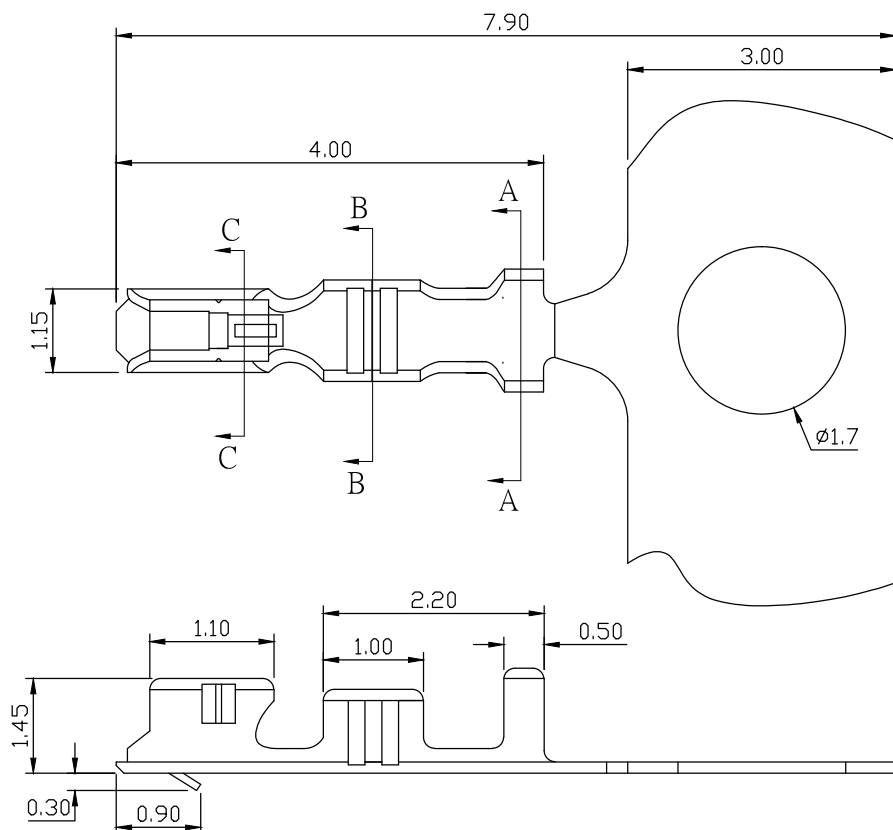
Section A-A



Section B-B



Section C-C



RoHS Compliant



C&J Connector

TEL: 886-2-86871898 FAX: 886-2-86872959
 Mail: tceldh@gmail.com Web: http://www.cnj.tw/

TITLE

.059"(1.50mm) Crimp Terminal

DIMENSION TOLERANCE

.x ± 0.30 x° $\pm 2^\circ$.xx ± 0.20 .xxx ± 0.10

P/N	T150P00T00	CHECKED	David	UNIT	mm	DATE	2010/08/03
DRAWN	Michael	APPROVED	Lily	SCALE	1:1	REV	A

A

B

C

D

E

F

☆☆☆ 150 Series ☆☆☆

P/N: W150H**T00

Material: Glass-Filled Polyamide, UL 94V-0, Gray

Conductor: Brass, Tin-Plated

Available: 2~13P

Mate with H150

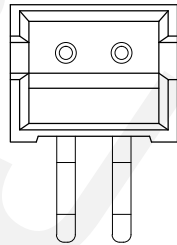
Current Rating: 1A AC/DC

Voltage Rating: 100V AC/DC

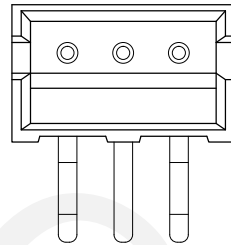
Contact Resistance: 20mΩ Max.

Insulation Resistance: 500MΩ Min.

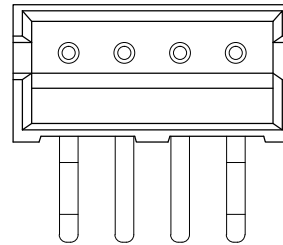
Withstanding Voltage: 500V AC/minute



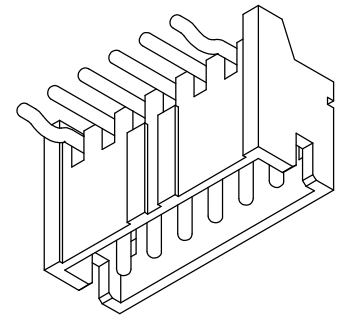
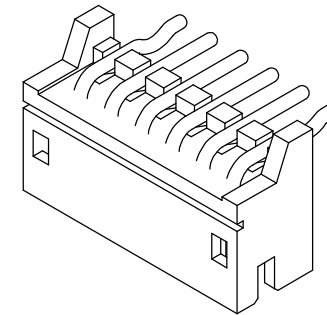
2P



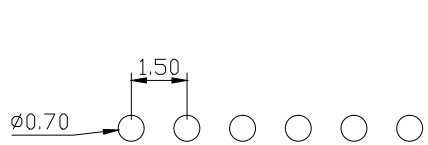
3P



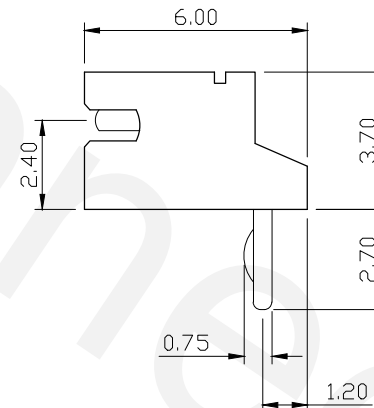
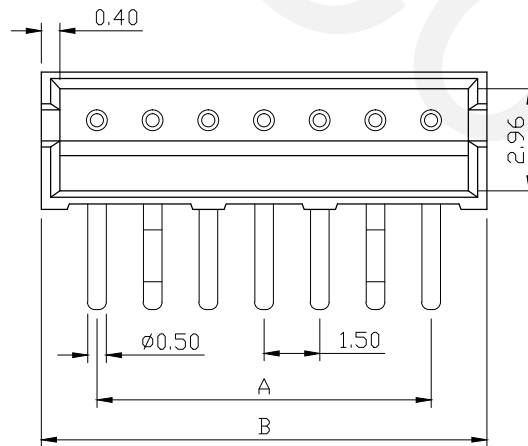
4P



REVISIONS			
REV	DESCRIPTION	DATE	DRAWN
A			



RECOMMENDED P.C. BOARD HOLE DIMM.



Circuitis	Dim. A	Dim. B
2	1.50	4.50
3	3.00	6.00
4	4.50	7.50
5	6.00	9.00
6	7.50	10.50
7	9.00	12.00
8	10.50	13.50
9	12.00	15.00
10	13.50	16.50
11	15.00	18.00
12	16.50	19.50
13	18.00	21.00

RoHS Compliant

5~13P



TEL: 886-2-86871898 FAX: 886-2-86872959
Mail: tceldh@gmail.com Web: http://www.cnj.tw/

TITLE

.059"(1.5mm) Wire to Board Horizontal Wafer

DIMENSION TOLERANCE

.x ±0.30 x° ±2°
.xx ±0.20
.xxx ±0.10

P/N	W150H**T00	CHECKED	David	UNIT	mm	DATE	2010/08/18
DRAWN	Michael	APPROVED	Lily	SCALE	1:1	REV	A

☆☆☆ 150 Series ☆☆☆

P/N: W150H**T0S

Material: Nylon 6T, UL 94V-0, Natural

Conductor: Brass, Tin-Plated

Available: 2~13P

Mate with H150

:0.15mm Max.

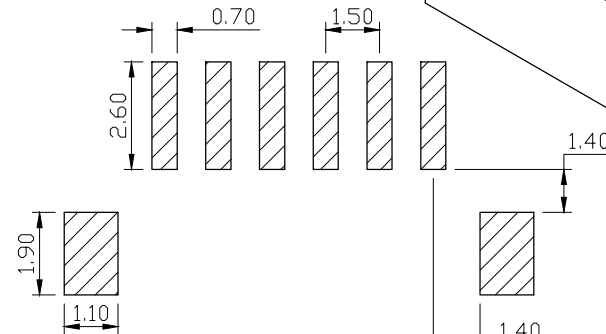
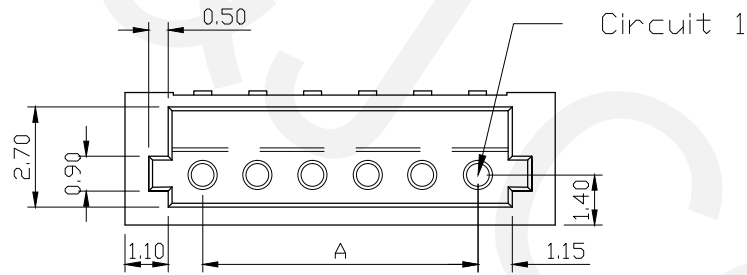
Current Rating: 1A AC/DC

Voltage Rating: 100V AC/DC

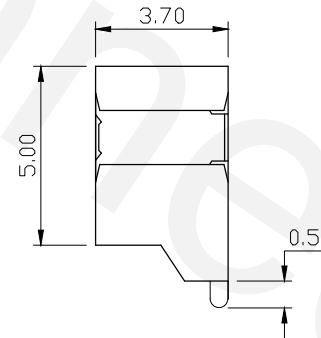
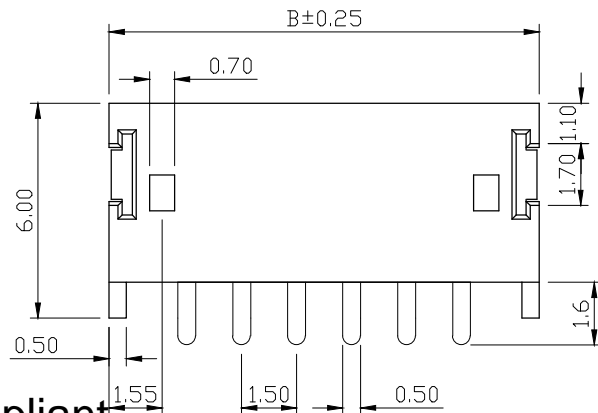
Contact Resistance: 20mΩ Max.

Insulation Resistance: 500MΩ Min.

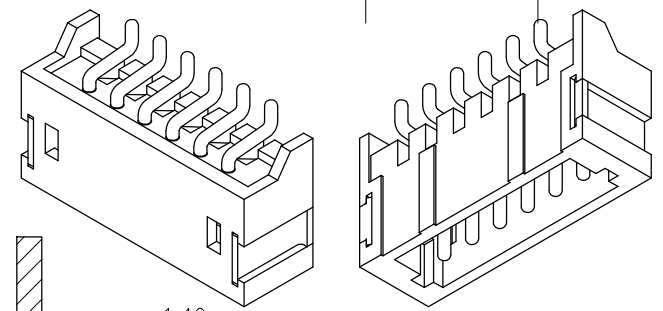
Withstanding Voltage: 500V AC/minute



RECOMMENDED P.C. BOARD HOLE DIMM.



REVISIONS			
REV	DESCRIPTION	DATE	DRAWN
A			



Circuitis	Dim. A	Dim. B
2	1.50	6.00
3	3.00	7.50
4	4.50	9.00
5	6.00	10.50
6	7.50	12.00
7	9.00	13.50
8	10.50	15.00
9	12.00	16.50
10	13.50	18.00
11	15.00	19.50
12	16.50	21.00
13	18.00	22.50

RoHS Compliant



TEL: 886-2-86871898 FAX: 886-2-86872959
Mail: tceldh@gmail.com Web: http://www.cnj.tw/

TITLE
.059"(1.5mm) Wire to Board Horizontal SMT Wafer

DIMENSION TOLERANCE	
.x	±0.30 x° ±2°
.xx	±0.20
.xxx	±0.10

P/N	W150H**T0S	CHECKED	David	UNIT	mm	DATE	2010/08/24
DRAWN	Michael	APPROVED	Lily	SCALE	1:1	REV	A

☆☆☆ 150 Series ☆☆☆

P/N: W150H**T0S-HF

Material: PA 6T Halogen Free, Natrual

Conductor: Brass, Tin-Plated

Available: 2~13P

Mate with H150

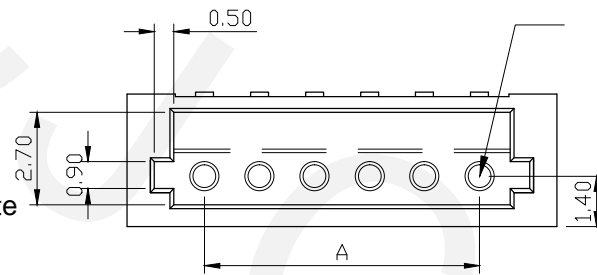
Current Rating: 1A AC/DC

Voltage Rating: 100V AC/DC

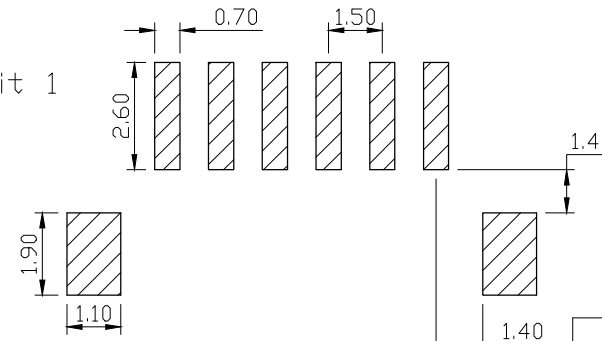
Contact Resistance: 20mΩ Max.

Insulation Resistance: 500MΩ Min.

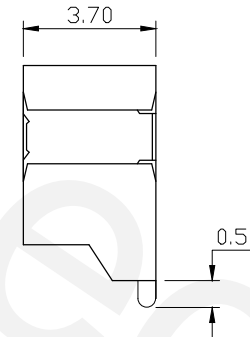
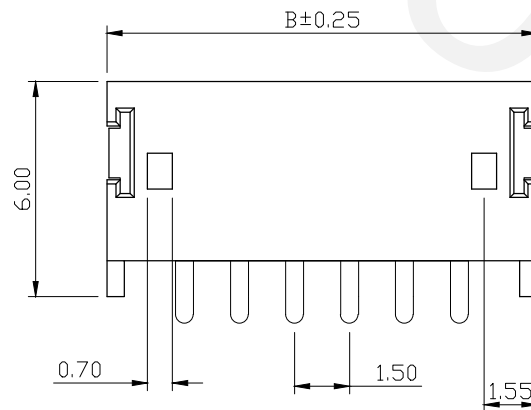
Withstanding Voltage: 500V AC/minute



Circuit 1



RECOMMENDED P.C. BOARD HOLE DIMM.



REVISIONS			
REV	DESCRIPTION	DATE	DRAWN
A			

Circuitis	Dim. A	Dim. B
2	1.50	6.00
3	3.00	7.50
4	4.50	9.00
5	6.00	10.50
6	7.50	12.00
7	9.00	13.50
8	10.50	15.00
9	12.00	16.50
10	13.50	18.00
11	15.00	19.50
12	16.50	21.00
13	18.00	22.50

RoHS Compliant



TEL: 886-2-86871898 FAX: 886-2-86872959
 Mail: tceldh@gmail.com Web: http://www.cnj.tw/

TITLE
 .059"(1.5mm) Wire to Board Horizontal SMT Wafer

DIMENSION TOLERANCE
 .x ±0.30 x° ±2°
 .xx ±0.20
 .xxx ±0.10

P/N	W150H**T0S-HF	CHECKED	David	UNIT	mm	DATE	2010/08/24
DRAWN	Michael	APPROVED	Lily	SCALE	1:1	REV	A

☆☆☆ 150 Series ☆☆☆

P/N: W150V**T00

Material: Glass-Filled Polyamide, UL 94V-0, Gray

Conductor: SQ0.5*6.5mm, Brass, Tin-Plated

Available: 2~13P

Mate with H150

Current Rating: 1A AC/DC

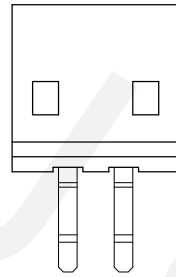
Voltage Rating: 100V AC/DC

Contact Resistance: 20mΩ Max.

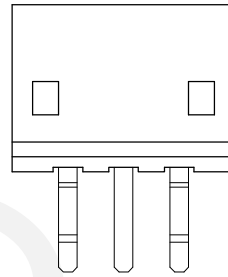
Insulation Resistance: 500MΩ Min.

Withstanding Voltage: 500V AC/minute

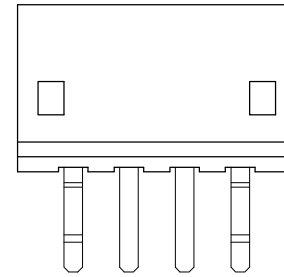
Operating Temperature Range: -25°C~85°C



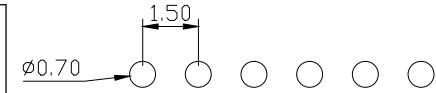
2P



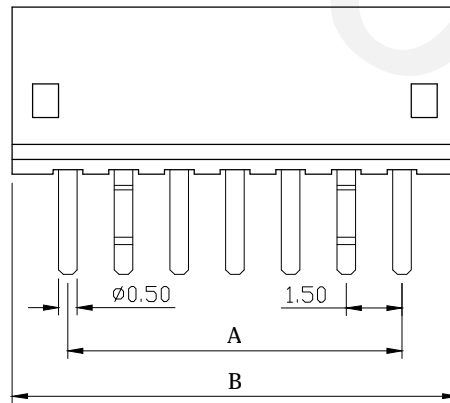
3P



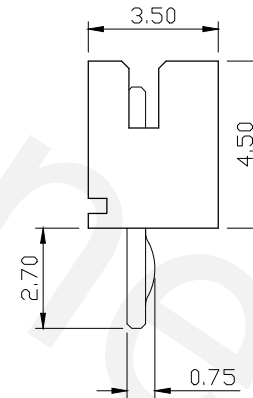
4P



RECOMMENDED P.C. BOARD HOLE DIMM.



5~13P



3.50

4.50

2.70

0.75

0.75

0.75

Circuitis	Dim. A	Dim. B
2	1.50	4.50
3	3.00	6.00
4	4.50	7.50
5	6.00	9.00
6	7.50	10.50
7	9.00	12.00
8	10.50	13.50
9	12.00	15.00
10	13.50	16.50
11	15.00	18.00
12	16.50	19.50
13	18.00	21.00

RoHS Compliant



TEL: 886-2-86871898 FAX: 886-2-86872959
Mail: tceldh@gmail.com Web: http://www.cnj.tw/

TITLE

.059"(1.5mm) Wire to Board Vertical Wafer

DIMENSION TOLERANCE

.x ±0.30 x° ±2°
.xx ±0.20
.xxx ±0.10

P/N	W150V**T00	CHECKED	David	UNIT	mm	DATE	2010/08/18
DRAWN	Michael	APPROVED	Lily	SCALE	1:1	REV	A

☆☆☆ 150 Series ☆☆☆

P/N: W150V**T0S

Material: Nylon 6T, UL 94V-0, Natrual

Conductor: Brass, Tin-Plated

Available: 2~13P

Mate with H150

Current Rating: 0.7A AC/DC

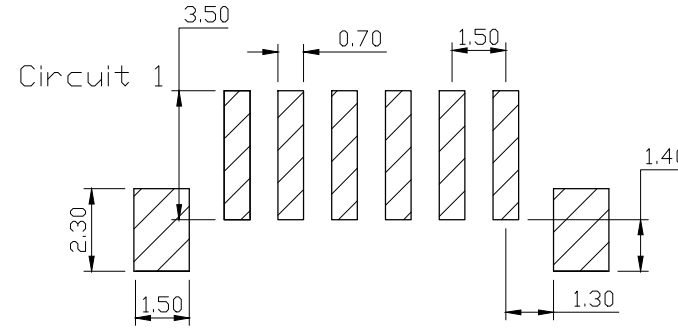
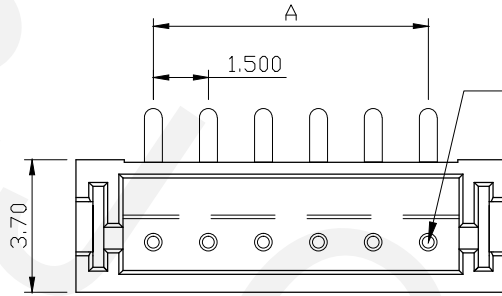
Voltage Rating: 50V AC/DC

Contact Resistance: 20mΩ Max.

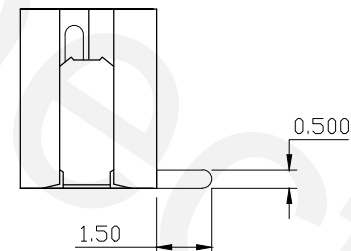
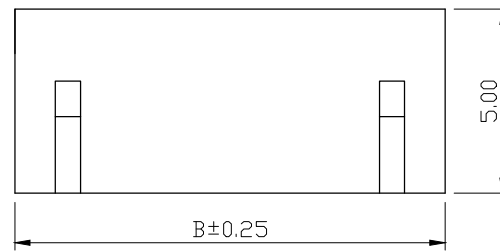
Insulation Resistance: 500MΩ Min.

Withstanding Voltage: 500V AC/minute

Operating Temperature Range: -25°C~85°C



RECOMMENDED P.C.BOARD HOLE DIMM.



REVISIONS			
REV	DESCRIPTION	DATE	DRAWN
A			

Circuitis	Dim. A	Dim. B
2	1.50	6.00
3	3.00	7.50
4	4.50	9.00
5	6.00	10.50
6	7.50	12.00
7	9.00	13.50
8	10.50	15.00
9	12.00	16.50
10	13.50	18.00
11	15.00	19.50
12	16.50	21.00
13	18.00	22.50

RoHS Compliant



TEL: 886-2-86871898 FAX: 886-2-86872959
 Mail: tceldh@gmail.com Web: http://www.cnj.tw/

TITLE

.059"(1.5mm) Wire to Board Vertical SMT Wafer

DIMENSION TOLERANCE

.x ±0.30 x° ±2°
 .xx ±0.20
 .xxx ±0.10

P/N	W150V**T0S	CHECKED	David	UNIT	mm	DATE	2010/08/24
DRAWN	Michael	APPROVED	Lily	SCALE	1:1	REV	A