

# ☆☆☆ 200 Series ☆☆☆

P/N: H200S\*\*000

Material: Nylon 6/6, UL 94V-2, White

Available: 2~18P

Mate with W200

Current Rating: 2A AC/DC

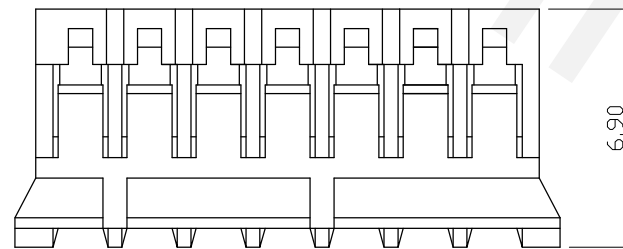
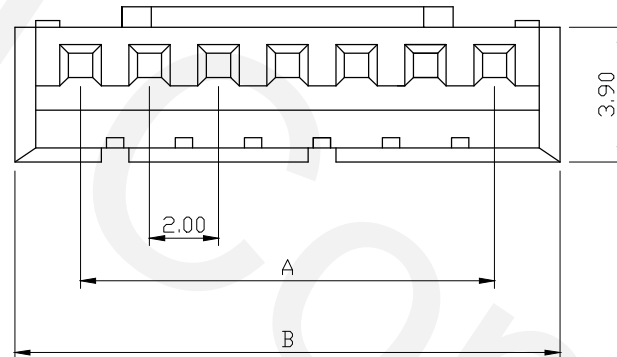
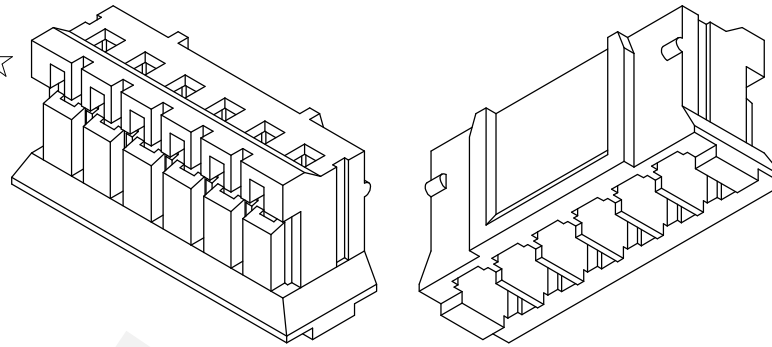
Voltage Rating: 100V AC/DC

Contact Resistance: 20mΩ Max.

Insulation Resistance: 1000MΩ Min.

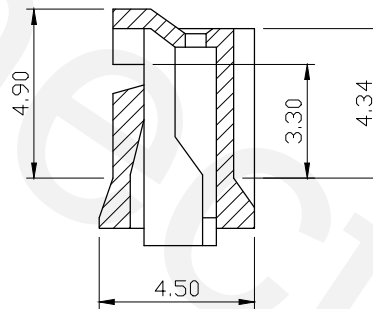
Withstanding Voltage: 800V AC/minute

Operating Temperature Range: -25°C~85°C



REVISIONS			
REV	DESCRIPTION	DATE	DRAWN
A			

Circuitis	Dim. A	Dim. B
2	2.00	5.80
3	4.00	7.80
4	6.00	9.80
5	8.00	11.80
6	10.00	13.80
7	12.00	15.80
8	14.00	17.80
9	16.00	19.80
10	18.00	21.80
11	20.00	23.80
12	22.00	25.80
13	24.00	27.80
14	26.00	29.80
15	28.00	31.80
16	30.00	33.80
17	32.00	35.80
18	34.00	37.80



RoHS Compliant



TEL: 886-2-86871898 FAX: 886-2-86872959  
 Mail: tceldh@gmail.com Web: http://www.cnj.tw/

TITLE

**.079"(2.0mm) Wire to Board Housing**

DIMENSION TOLERANCE

.x ±0.30 x° ±2°  
 .xx ±0.20  
 .xxx ±0.10

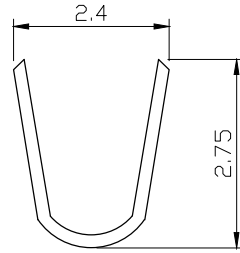
P/N	H200S**000	CHECKED	David	UNIT	mm	DATE	2010/08/03
DRAWN	Michael	APPROVED	Lily	SCALE	1:1	REV	A

☆☆☆ 200 Series ☆☆☆

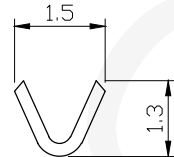
P/N: T200P00T00

Conductor: Phosphor Bronze/ Tin-Plated

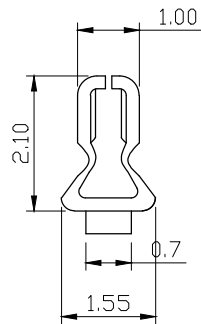
Thickness: 0.2mm



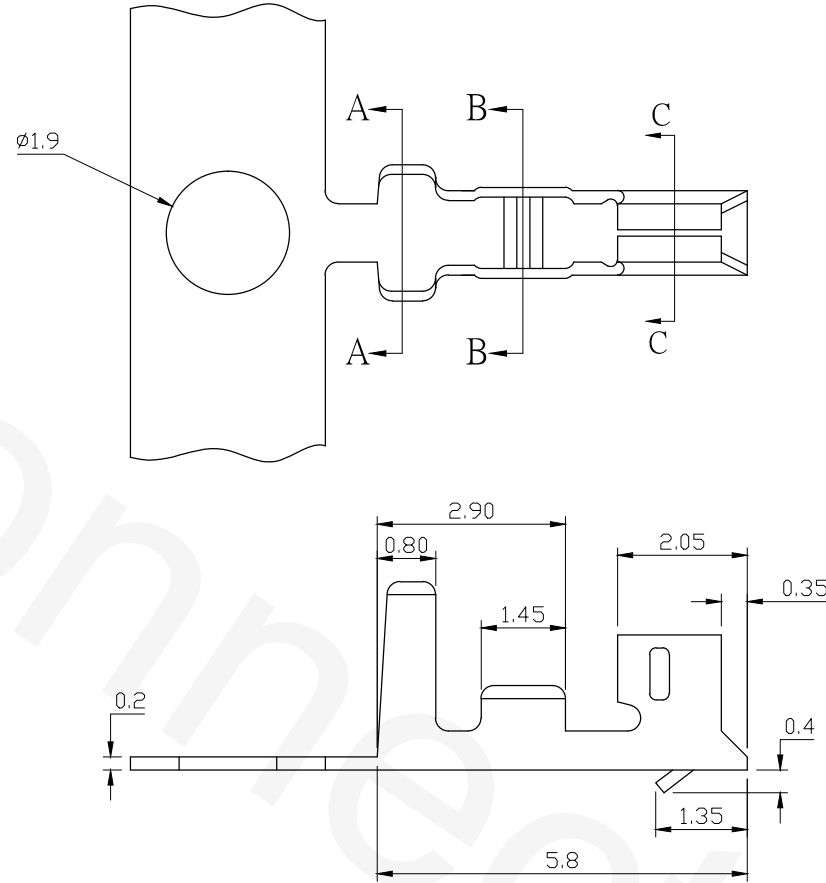
Section A-A



Section B-B



Section C-C



REVISIONS			
REV	DESCRIPTION	DATE	DRAWN
A			

RoHS Compliant



TEL: 886-2-86871898 FAX: 886-2-86872959  
 Mail: tceldh@gmail.com Web: http://www.cnj.tw/

TITLE

.079"(2.0mm) Crimp Terminal

DIMENSION TOLERANCE

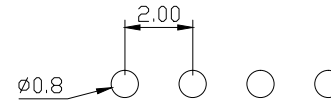
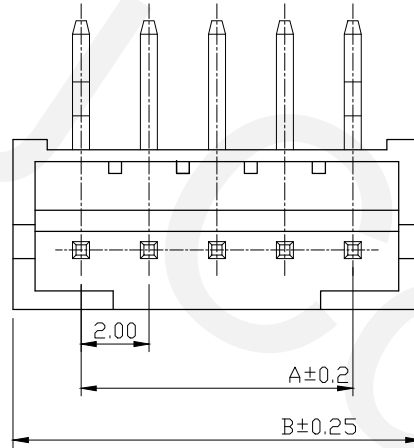
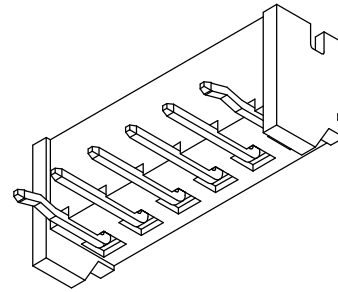
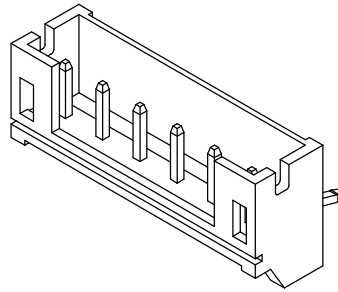
.x ±0.30 x° ±2°  
 .xx ±0.20  
 .xxx ±0.10

P/N	T200P00T00	CHECKED	David	UNIT	mm	DATE	2010/08/03
DRAWN	Michael	APPROVED	Lily	SCALE	1:1	REV	A

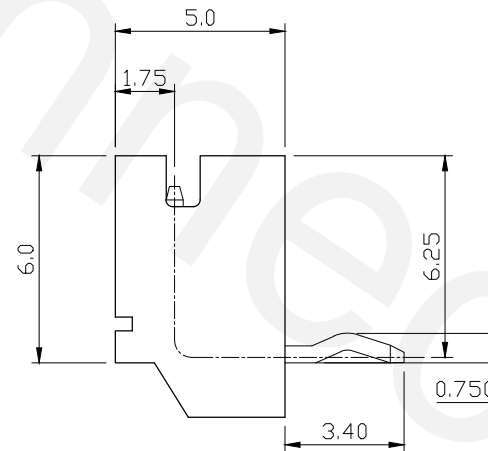
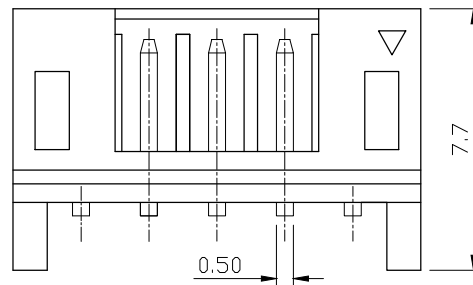
# ☆☆☆ 200 Series ☆☆☆

P/N: W200H\*\*T00  
 Material: Nylon 6/6, UL 94V-2, Wthie  
 Conductor: Brass, Tin-Plated  
 Available: 2~18P  
 Mate with H200

Current Rating: 2A AC/DC  
 Voltage Rating: 100V AC/DC  
 Contact Resistance: 20mΩ Max.  
 Insulation Resistance: 1000MΩ Min.  
 Withstanding Voltage: 800V AC/minute  
 Operating Temperature Range: -25°C~85°C



RECOMMENDED P.C.BOARD HOLE DIMM.



REVISIONS			
REV	DESCRIPTION	DATE	DRAWN
A			

Circuitis	Dim. A	Dim. B
2	2.00	6.00
3	4.00	8.00
4	6.00	10.00
5	8.00	12.00
6	10.00	14.00
7	12.00	16.00
8	14.00	18.00
9	16.00	20.00
10	18.00	22.00
11	20.00	24.00
12	22.00	26.00
13	24.00	28.00
14	26.00	30.00
15	28.00	32.00
17	32.00	36.00
18	34.00	38.00

RoHS Compliant



TEL: 886-2-86871898 FAX: 886-2-86872959  
 Mail: tceldh@gmail.com Web: http://www.cnj.tw/

TITLE

.079"(2.0mm) Wire to Board Horizontal Wafer

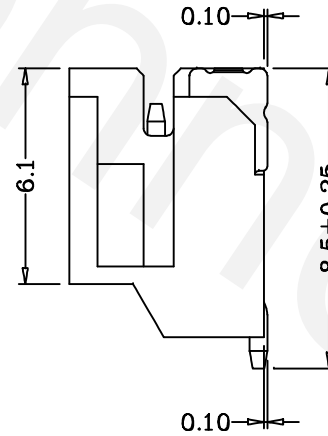
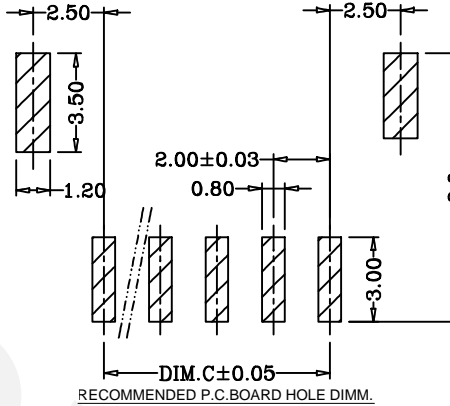
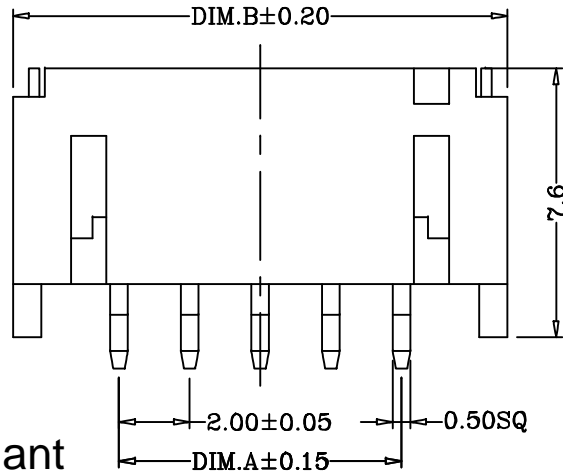
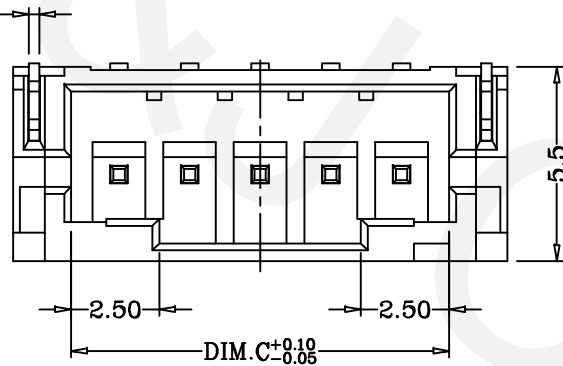
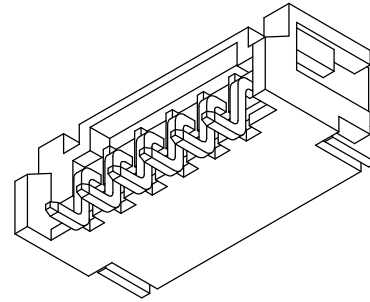
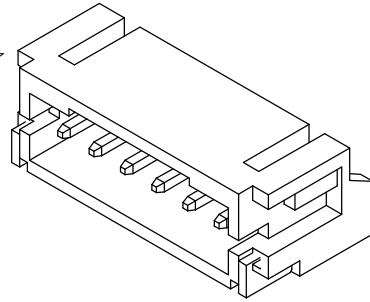
DIMENSION TOLERANCE

.x ±0.30 x° ±2°  
 .xx ±0.20  
 .xxx ±0.10

P/N	W200H**T00	CHECKED	David	UNIT	mm	DATE	2010/08/30
DRAWN	Michael	APPROVED	Lily	SCALE	1:1	REV	A

# ☆☆☆ 200 Series ☆☆☆

P/N: W200H\*\*T0S  
 Material: Nylon 9T, UL 94V-0  
 Pin: Brass, Tin-Plated  
 Terminal: Phosphor Bronze, Tin-Plated  
 Available: 2~16P  
 Mate with H200



## REVISIONS

REV	DESCRIPTION	DATE	DRAWN
A			

Circuitis	Dim. A	Dim. B	Dim. C
2	2.00	8.00	4.70
3	4.00	10.00	6.70
4	6.00	12.00	8.70
5	8.00	14.00	10.70
6	10.00	16.00	12.70
7	12.00	18.00	14.70
8	14.00	20.00	16.70
9	16.00	22.00	18.70
10	18.00	24.00	20.70
11	20.00	26.00	22.70
12	22.00	28.00	24.70
13	24.00	30.00	26.70
14	26.00	32.00	28.70
15	28.00	34.00	30.70
16	30.00	36.00	32.70

RoHS Compliant



TEL: 886-2-86871898 FAX: 886-2-86872959  
 Mail: tceldh@gmail.com Web: http://www.cnj.tw/

TITLE  
 .079"(2.0mm) Wire to Board Horizontal SMT Wafer

DIMENSION TOLERANCE  
 .x ±0.30 x° ±2°  
 .xx ±0.20  
 .xxx ±0.10

P/N	W200V**H0S	CHECKED	David	UNIT	mm	DATE	2010/08/25
DRAWN	Michael	APPROVED	Lily	SCALE	1:1	REV	A

# ☆☆☆ 200 Series ☆☆☆

P/N: W200H\*\*TN0

Material: Nylon 6/6, UL 94V-2, Wthie

Conductor: Brass, Tin-Plated

Available: 2~18P

Mate with H200

Current Rating: 2A AC/DC

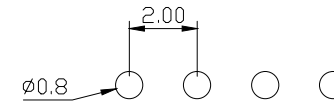
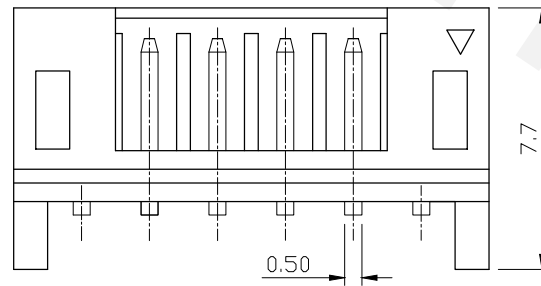
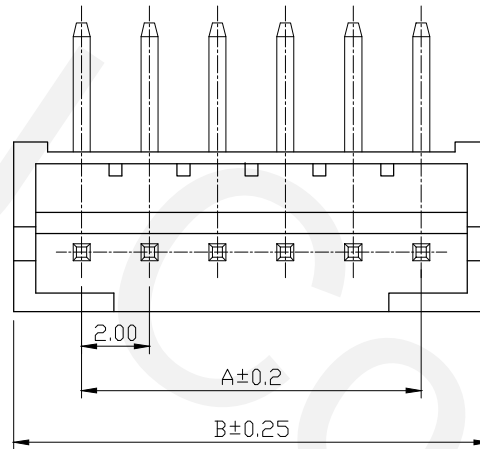
Voltage Rating: 100V AC/DC

Contact Resistance: 20mΩ Max.

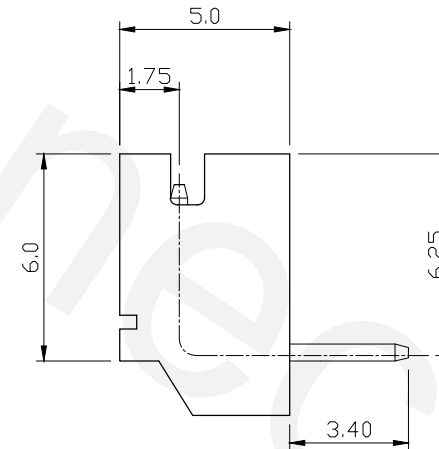
Insulation Resistance: 1000MΩ Min.

Withstanding Voltage: 800V AC/minute

Operating Temperature Range: -25°C~85°C



RECOMMENDED P.C. BOARD HOLE DIMM.



## REVISIONS

REV	DESCRIPTION	DATE	DRAWN
A			

Circuitis	Dim. A	Dim. B
2	2.00	6.00
3	4.00	8.00
4	6.00	10.00
5	8.00	12.00
6	10.00	14.00
7	12.00	16.00
8	14.00	18.00
9	16.00	20.00
10	18.00	22.00
11	20.00	24.00
12	22.00	26.00
13	24.00	28.00
14	26.00	30.00
15	28.00	32.00
17	32.00	36.00
18	34.00	38.00

RoHS Compliant



TEL: 886-2-86871898 FAX: 886-2-86872959  
 Mail: tceldh@gmail.com Web: http://www.cnj.tw/

TITLE

.079"(2.0mm) Wire to Board Horizontal Wafer

DIMENSION TOLERANCE

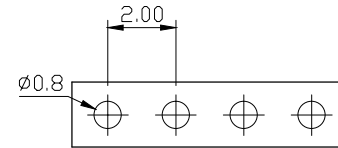
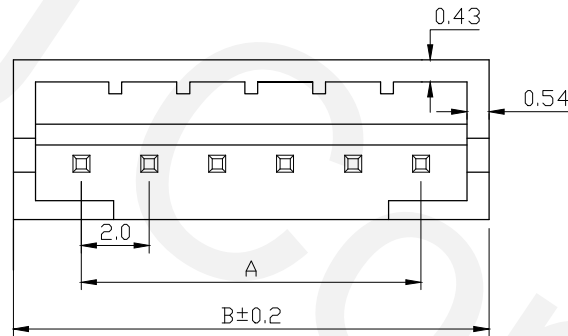
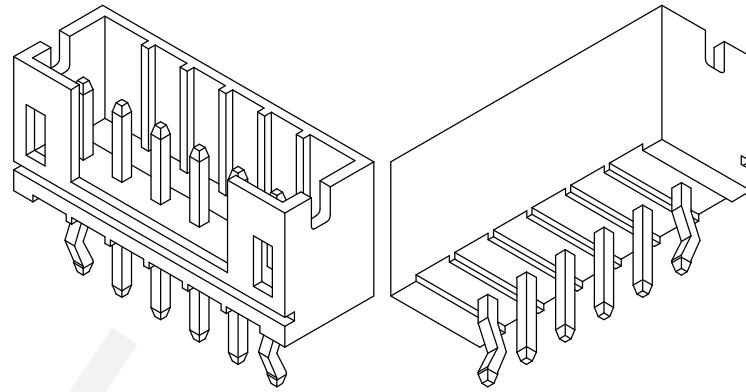
.x ±0.30 x° ±2°  
 .xx ±0.20  
 .xxx ±0.10

P/N	W200H**TN0	CHECKED	David	UNIT	mm	DATE	2010/08/30
DRAWN	Michael	APPROVED	Lily	SCALE	1:1	REV	A

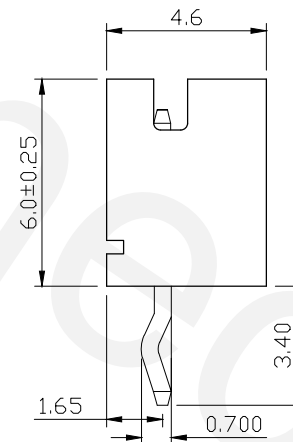
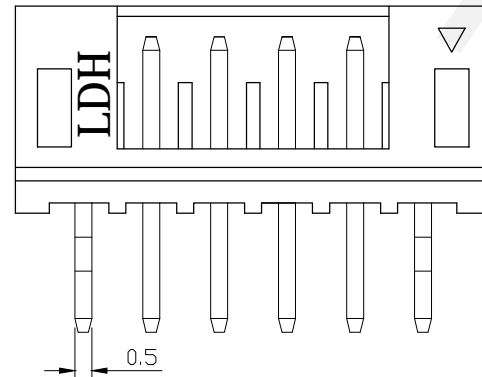
# ☆☆☆ 200 Series ☆☆☆

P/N: W200V\*\*T00  
 Material: Nylon 6/6, UL 94V-2, Wthie  
 Conductor: Brass, Tin-Plated  
 Available: 2~18P  
 Mate with H200

Current Rating: 2A AC/DC  
 Voltage Rating: 100V AC/DC  
 Contact Resistance: 20mΩ Max.  
 Insulation Resistance: 1000MΩ Min.  
 Withstanding Voltage: 800V AC/minute  
 Operating Temperature Range: -25°C~85°C



RECOMMENDED P.C.BOARD HOLE DIMM.



REVISIONS			
REV	DESCRIPTION	DATE	DRAWN
A			

Circuitis	Dim. A	Dim. B
2	2.00	6.00
3	4.00	8.00
4	6.00	10.00
5	8.00	12.00
6	10.00	14.00
7	12.00	16.00
8	14.00	18.00
9	16.00	20.00
10	18.00	22.00
11	20.00	24.00
12	22.00	26.00
13	24.00	28.00
14	26.00	30.00
15	28.00	32.00
16	30.00	34.00
17	32.00	36.00
18	34.00	38.00

RoHS Compliant



TEL: 886-2-86871898 FAX: 886-2-86872959  
 Mail: tceldh@gmail.com Web: http://www.cnj.tw/

TITLE

.079"(2.0mm) Wire to Board Vertical Wafer

DIMENSION TOLERANCE

.x ±0.30 x° ±2°  
 .xx ±0.20  
 .xxx ±0.10

P/N	W200V**T00	CHECKED	David	UNIT	mm	DATE	2010/08/30
DRAWN	Michael	APPROVED	Lily	SCALE	1:1	REV	A

# ☆☆☆ 200 Series ☆☆☆

P/N: W200V\*\*T0S

Material: High Temperature Thermoplastic,  
UL 94V-0, Natural

Conductor: Brass, Tin-Plated

Available: 2~16P

Mate with H200

Current Rating: 2A AC/DC

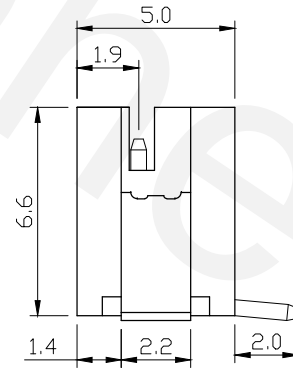
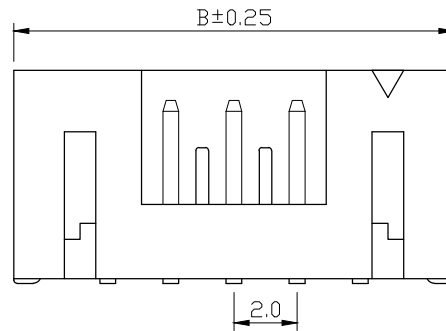
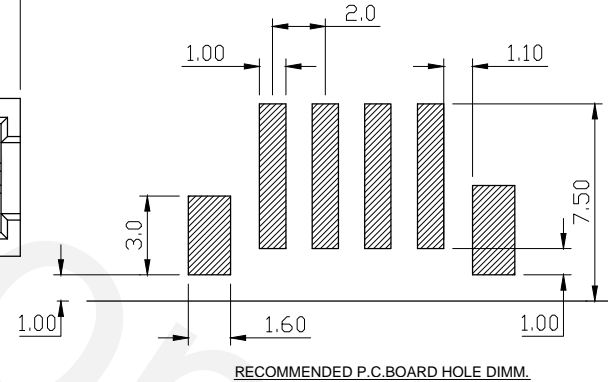
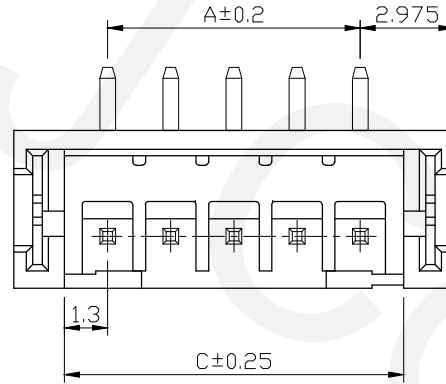
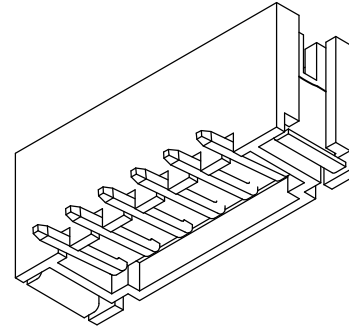
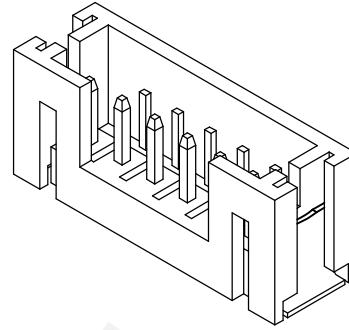
Voltage Rating: 100V AC/DC

Contact Resistance: 20mΩ Max.

Insulation Resistance: 1000MΩ Min.

Withstanding Voltage: 800V AC/minute

Operating Temp. Range: -25°C~85°C



## REVISIONS

REV	DESCRIPTION	DATE	DRAWN
A			

Circuitis	Dim. A	Dim. B	Dim. C
2	2.00	7.90	4.60
3	4.00	9.90	6.60
4	6.00	11.98	8.60
5	8.00	13.98	10.60
6	10.00	15.98	12.60
7	12.00	17.98	14.60
8	14.00	19.98	16.60
9	16.00	21.98	18.60
10	18.00	23.98	20.60
11	20.00	25.98	22.60
12	22.00	27.98	24.60
13	24.00	29.98	26.60
14	26.00	31.98	28.60
15	28.00	33.98	30.60
16	30.00	35.98	32.60

RoHS Compliant



TEL: 886-2-86871898 FAX: 886-2-86872959  
Mail: tceldh@gmail.com Web: http://www.cnj.tw/

TITLE

.079"(2.0mm) Wire to Board Vertical SMT Wafer

DIMENSION TOLERANCE

.x ±0.30 x° ±2°  
.xx ±0.20  
.xxx ±0.10

P/N	W200V**T0S	CHECKED	David	UNIT	mm	DATE	2010/08/25
DRAWN	Michael	APPROVED	Lily	SCALE	1:1	REV	A