

☆☆☆ 203 Series ☆☆☆

P/N: H203H**000

Material: Nylon 6/6, UL 94V-2, White

Available: 2~16P

Mate with T203

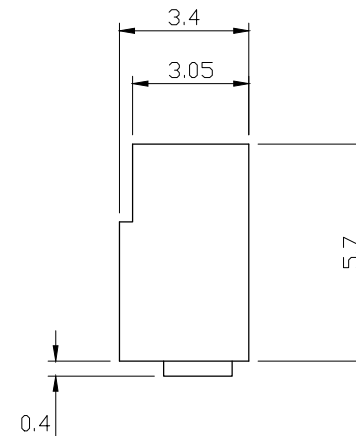
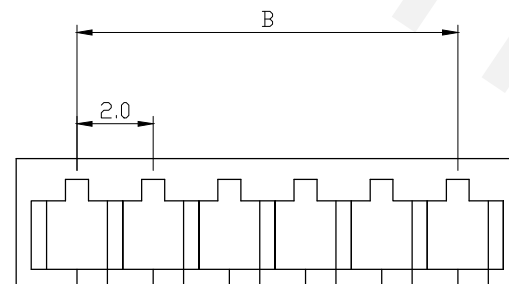
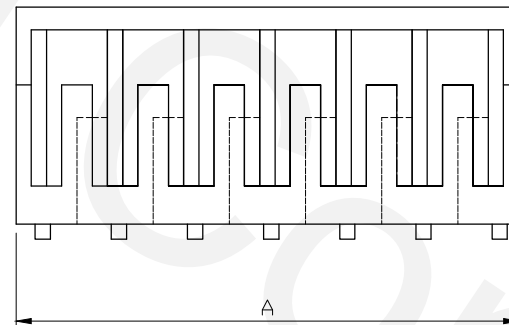
Current Rating: 2A AC/DC

Voltage Rating: 250V AC/DC

Insulation Resistance: 1000MΩ Min.

Withstanding Voltage: 800V AC/minute

Operating Temperature Range: -25°C~85°C



REVISIONS			
REV	DESCRIPTION	DATE	DRAWN
A			

Circuitis	Dim. A	Dim. B
2	5.20	2.00
3	7.20	4.00
4	9.20	6.00
5	11.20	8.00
6	13.20	10.00
7	15.20	12.00
8	17.20	14.00
9	19.20	16.00
10	21.20	18.00
11	23.20	20.00
12	25.20	22.00
13	27.20	24.00
14	29.20	26.00
15	31.20	28.00
16	33.20	30.00

RoHS Compliant



TEL: 886-2-86871898 FAX: 886-2-86872959
 Mail: tceldh@gmail.com Web: http://www.cnj.tw/

TITLE
 .079"(2.0mm) Wire to Board Horizontal Housing

DIMENSION TOLERANCE		
.x	±0.30	x° ±2°
.xx	±0.20	
.xxx	±0.10	

P/N	H203H**000	CHECKED	David	UNIT	mm	DATE	2010/08/03
DRAWN	Michael	APPROVED	Lily	SCALE	1:1	REV	A

☆☆☆ 203 Series ☆☆☆

P/N: H203V**000

Material: Nylon 6/6, UL 94V-2, White

Available: 2~16P

Mate with T203

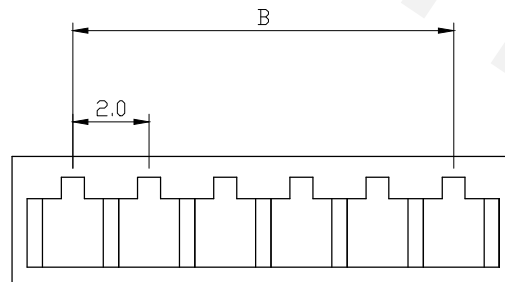
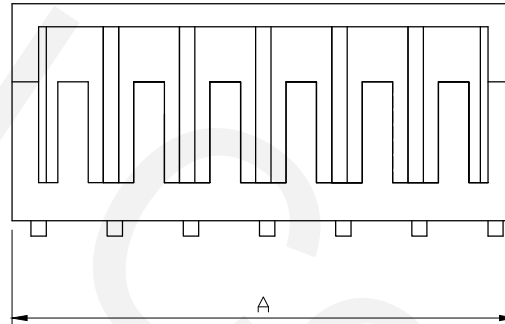
Current Rating: 2A AC/DC

Voltage Rating: 250V AC/DC

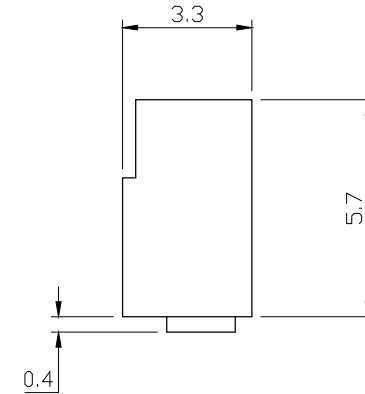
Insulation Resistance: 1000MΩ Min.

Withstanding Voltage: 800V AC/minute

Operating Temperature Range: -25°C~85°C



REVISIONS			
REV	DESCRIPTION	DATE	DRAWN
A			



Circuitis	Dim. A	Dim. B
2	5.20	2.00
3	7.20	4.00
4	9.20	6.00
5	11.20	8.00
6	13.20	10.00
7	15.20	12.00
8	17.20	14.00
9	19.20	16.00
10	21.20	18.00
11	23.20	20.00
12	25.20	22.00
13	27.20	24.00
14	29.20	26.00
15	31.20	28.00
16	33.20	30.00

RoHS Compliant



TEL: 886-2-86871898 FAX: 886-2-86872959
 Mail: tceldh@gmail.com Web: http://www.cnj.tw/

TITLE

.079"(2.0mm) Wire to Board Vertical Housing

DIMENSION TOLERANCE

.x ±0.30 x° ±2°
 .xx ±0.20
 .xxx ±0.10

P/N	H203V**000	CHECKED	David	UNIT	mm	DATE	2010/08/03
DRAWN	Michael	APPROVED	Lily	SCALE	1:1	REV	A

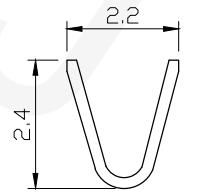
☆☆☆ 203 Series ☆☆☆

P/N: T203BV0T00

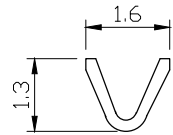
Conductor: Phosphor Bronze/ Tin-Plated

Thickness: 0.2mm

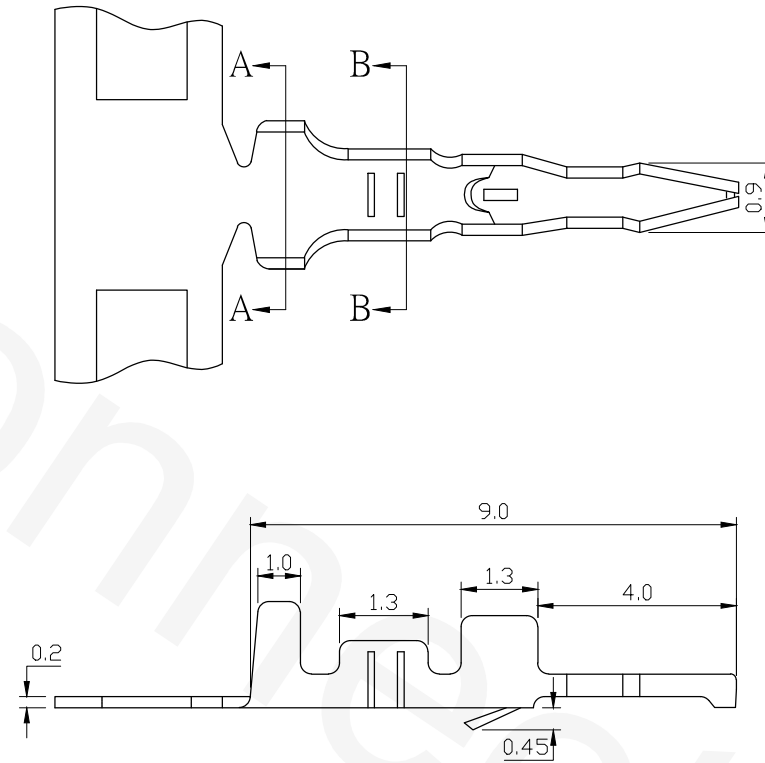
REVISIONS			
REV	DESCRIPTION	DATE	DRAWN
A			



Section A-A



Section B-B



RoHS Compliant



C&J Connector

TEL: 886-2-86871898 FAX: 886-2-86872959
 Mail: tceldh@gmail.com Web: <http://www.cnj.tw/>

TITLE

.079"(2.0mm) Crimp Terminal

DIMENSION TOLERANCE

.x ±0.30 x° ±2°
 .xx ±0.20
 .xxx ±0.10

P/N	T203BV0T00	CHECKED	David	UNIT	mm	DATE	2010/08/04
DRAWN	Michael	APPROVED	Lily	SCALE	1:1	REV	A

A

B

C

D

E

F

☆☆☆ 203 Series ☆☆☆

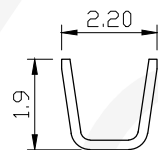
P/N: T203PH0T00

Conductor: Phosphor Bronze/ Tin-Plated

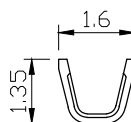
Thickness: 0.2mm

REVISIONS

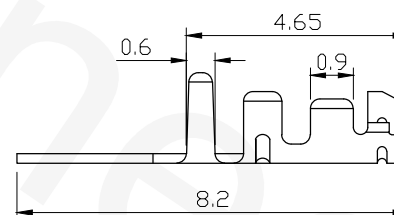
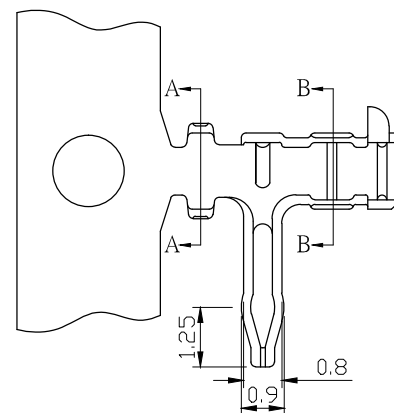
REV	DESCRIPTION	DATE	DRAWN
A			



Section A-A



Section B-B



RoHS Compliant



C&J Connector

TEL: 886-2-86871898 FAX: 886-2-86872959
 Mail: tceldh@gmail.com Web: http://www.cnj.tw/

TITLE

.079"(2.0mm) Crimp Terminal

DIMENSION TOLERANCE

.x ±0.30 x° ±2°

.xx ±0.20

.xxx ±0.10

P/N	T203PH0T00	CHECKED	David	UNIT	mm	DATE	2010/08/03
DRAWN	Michael	APPROVED	Lily	SCALE	1:1	REV	A

A

B

C

D

E

F