

☆☆☆ 230 Series ☆☆☆

P/N: W230H**T00

Material: Nylon 6/6, UL 94V-2, White

Conductor: SQ0.64, Brass, Tin-Plated

Available: 2~16P

Mate with H230

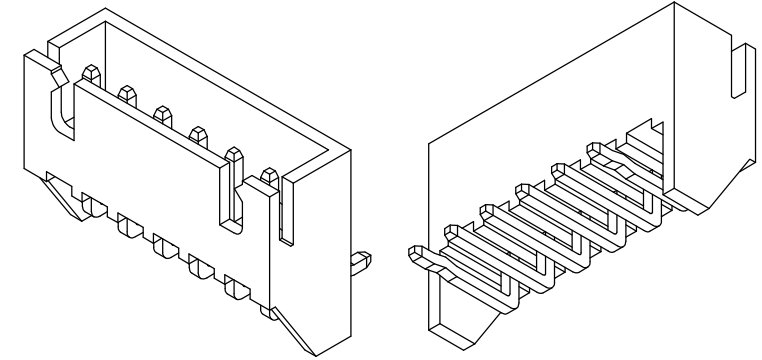
Current Rating: 3A AC/DC

Voltage Rating: 250V AC/DC

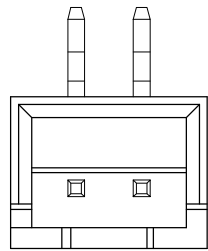
Withstand Voltage: 1000V AC/minute

Contact Resistance: 20mΩ

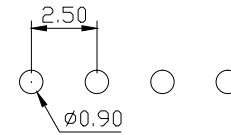
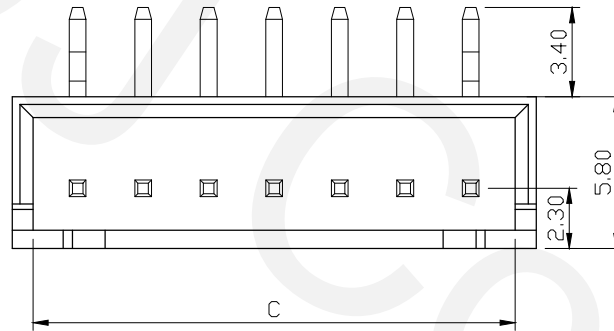
Insulation Resistance: 1000MΩ



2P

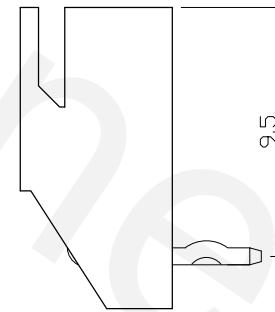
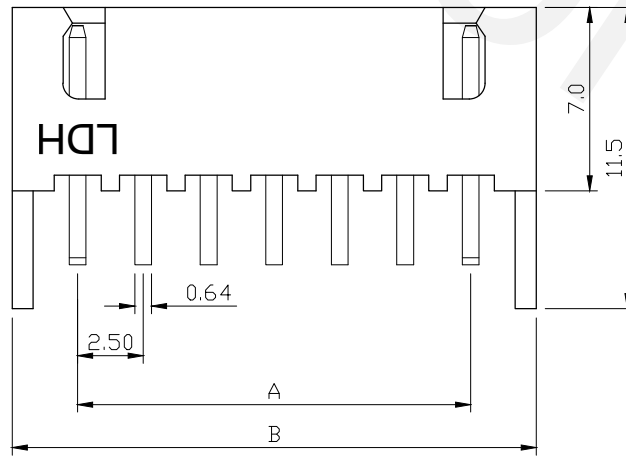
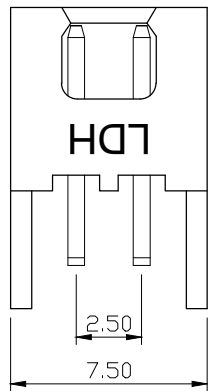


3~16P



RECOMMENDED P.C. BOARD HOLE DIMM.

Circuitis	Dim. A	Dim. B	Dim. C
2	2.50	7.50	5.90
3	5.00	10.00	8.40
4	7.50	12.50	10.90
5	10.00	15.00	13.40
6	12.50	17.50	15.90
7	15.00	20.00	18.40
8	17.50	22.50	20.90
9	20.00	25.00	23.40
10	22.50	27.50	25.90
11	25.00	30.00	28.40
12	27.50	32.50	30.90
13	30.00	35.00	33.40
14	32.50	37.50	35.90
15	35.00	40.00	38.40
16	37.50	42.50	40.90



RoHS Compliant



TEL: 886-2-86871898 FAX: 886-2-86872959
 Mail: tceldh@gmail.com Web: http://www.cnj.tw/

TITLE

.098"(2.5mm) Wire to Board Horizontal Wafer

DIMENSION TOLERANCE

.x ±0.30 x° ±2°
 .xx ±0.20
 .xxx ±0.10

P/N	W230H**T00	CHECKED	David	UNIT	mm	DATE	2010/10/25
DRAWN	Michael	APPROVED	Lily	SCALE	1:1	REV	A

☆☆☆ 230 Series ☆☆☆

P/N: W230V**T00

Material: Nylon 6/6, UL 94V-2, White

Conductor: SQ0.64, Brass, Tin-Plated

Available: 2~16P

Mate with H230

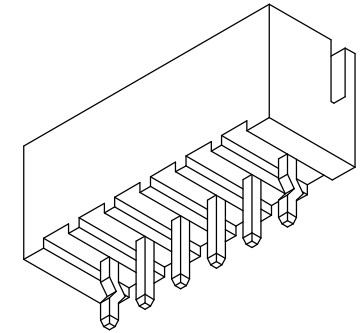
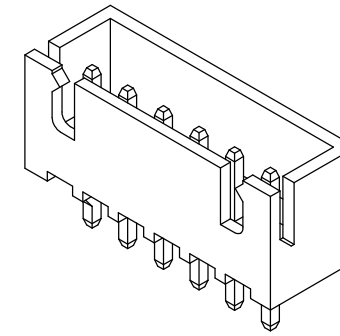
Current Rating: 3A AC/DC

Voltage Rating: 250V AC/DC

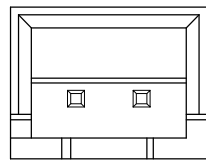
Withstand Voltage: 1000V AC/minute

Contact Resistance: 20mΩ

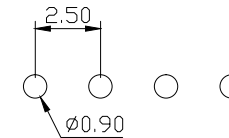
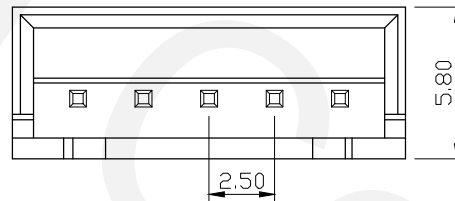
Insulation Resistance: 1000MΩ



2P

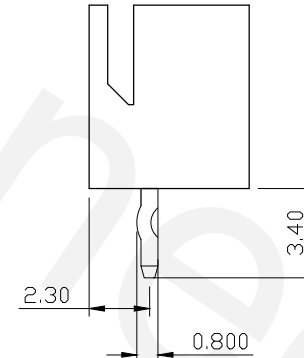
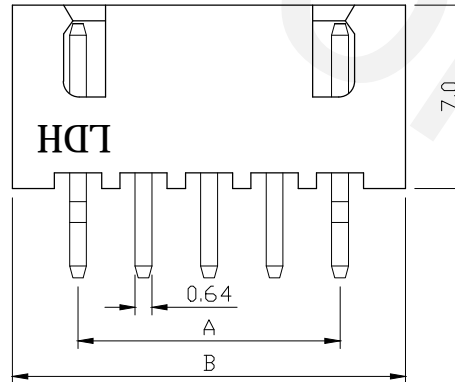
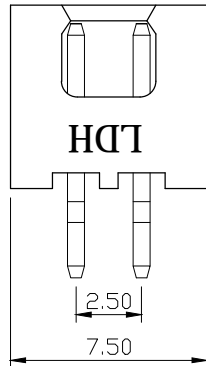


3~16P



RECOMMENDED P.C. BOARD HOLE DIMM.

Circuitis	Dim. A	Dim. B
2	2.50	7.50
3	5.00	10.00
4	7.50	12.50
5	10.00	15.00
6	12.50	17.50
7	15.00	20.00
8	17.50	22.50
9	20.00	25.00
10	22.50	27.50
11	25.00	30.00
12	27.50	32.50
13	30.00	35.00
14	32.50	37.50
15	35.00	40.00
16	37.50	42.50



RoHS Compliant



TEL: 886-2-86871898 FAX: 886-2-86872959
Mail: tceldh@gmail.com Web: http://www.cnj.tw/

TITLE

.098"(2.5mm) Wire to Board Vertical Wafer

DIMENSION TOLERANCE

.x ±0.30 x° ±2°
.xx ±0.20
.xxx ±0.10

P/N	W230V**T00	CHECKED	David	UNIT	mm	DATE	2010/10/25
DRAWN	Michael	APPROVED	Lily	SCALE	1:1	REV	A

☆☆☆ 230 Series ☆☆☆

P/N: W230V**TP0-V0

Material: Nylon 6/6, UL 94V-0, White

Conductor: SQ0.64, Brass, Tin-Plated

Available: 2~10P

Mate with H230

Current Rating: 3A AC/DC

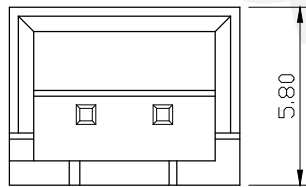
Voltage Rating: 250V AC/DC

Withstand Voltage: 1000V AC/minute

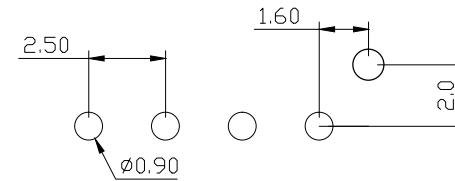
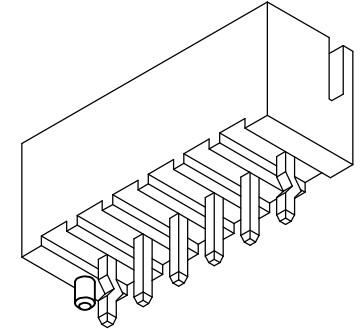
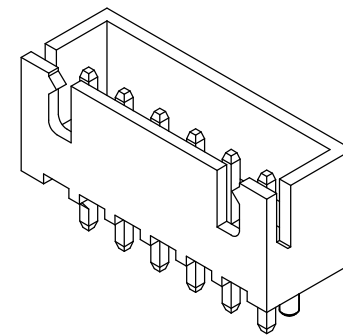
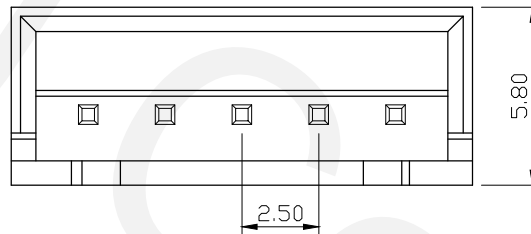
Contact Resistance: 20mΩ

Insulation Resistance: 1000MΩ

2P

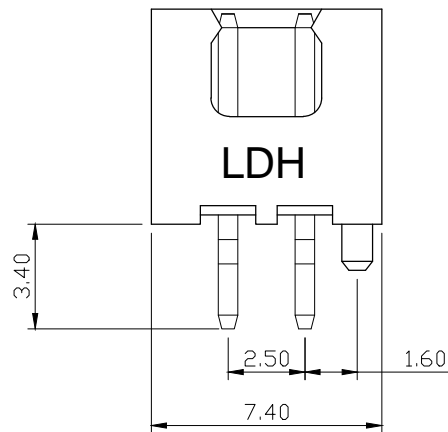


3,4P

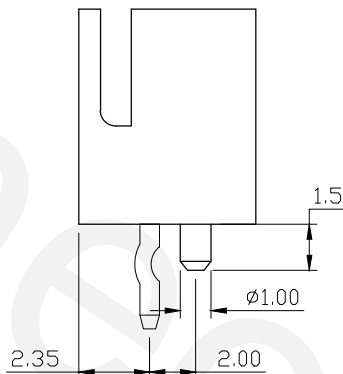
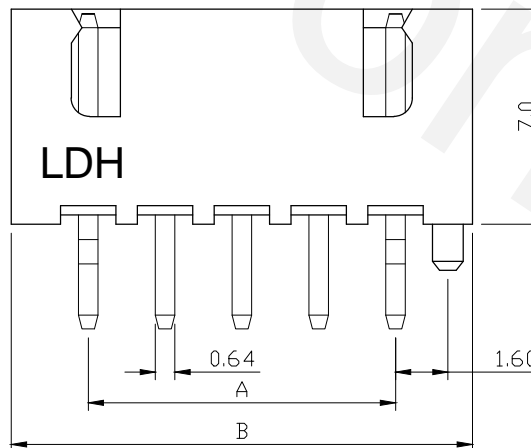


RECOMMENDED P.C. BOARD HOLE DIMM.

LDH



LDH



Circuitis	Dim. A	Dim. B
2	2.50	7.40
3	5.00	9.90
4	7.50	12.40
5	10.00	14.90
6	12.50	17.40
7	15.00	19.90
8	17.50	22.40
9	20.00	24.90
10	22.50	27.40

RoHS Compliant

C&J Connector

TEL: 886-2-86871898 FAX: 886-2-86872959
Mail: tceldh@gmail.com Web: http://www.cnj.tw/

TITLE

.098"(2.5mm) Wire to Board Vertical Wafer with Pillar

DIMENSION TOLERANCE

.x ±0.30 x° ±2°
.xx ±0.20
.xxx ±0.10

P/N	W230V**TP0-V0	CHECKED	David	UNIT	mm	DATE	2011/01/20
DRAWN	Michael	APPROVED	Lily	SCALE	1:1	REV	A

☆☆☆ 230 Series ☆☆☆

P/N: H230N**000

Material: Nylon 6/6, UL 94V-2, White

Available: 2~16P

Mate with W230

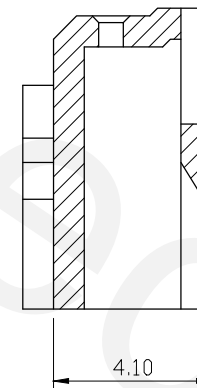
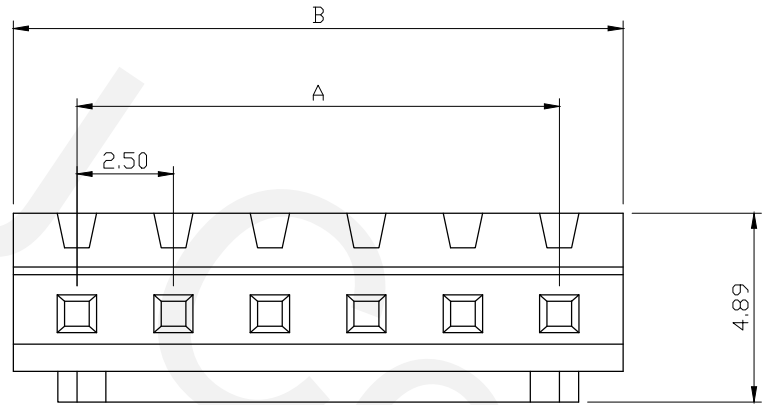
Current Rating: 3A AC/DC

Voltage Rating: 250V AC/DC

Withstand Voltage: 1000V AC/minute

Contact Resistance: 20mΩ

Insulation Resistance: 1000MΩ



REVISIONS			
REV	DESCRIPTION	DATE	DRAWN
A			

Circuitis	Dim. A	Dim. B
2	2.50	5.80
3	5.00	8.30
4	7.50	10.80
5	10.00	13.30
6	12.50	15.80
7	15.00	18.30
8	17.50	20.80
9	20.00	23.30
10	22.50	25.80
11	25.00	28.30
12	27.50	30.80
13	30.00	33.30
14	32.50	35.80
15	35.00	38.30
16	37.50	40.80

RoHS Compliant



TEL: 886-2-86871898 FAX: 886-2-86872959
 Mail: tceldh@gmail.com Web: http://www.cnj.tw/

TITLE

.098"(2.5mm) Wire to Board Housing

DIMENSION TOLERANCE

.x ±0.30 x° ±2°
 .xx ±0.20
 .xxx ±0.10

P/N	H230N**000	CHECKED	David	UNIT	mm	DATE	2010/08/03
DRAWN	Michael	APPROVED	Lily	SCALE	1:1	REV	A

☆☆☆ 230 Series ☆☆☆

P/N: H230S**000

Material: Nylon 6/6, UL 94V-2, White

Available: 2~16P

Mate with W230

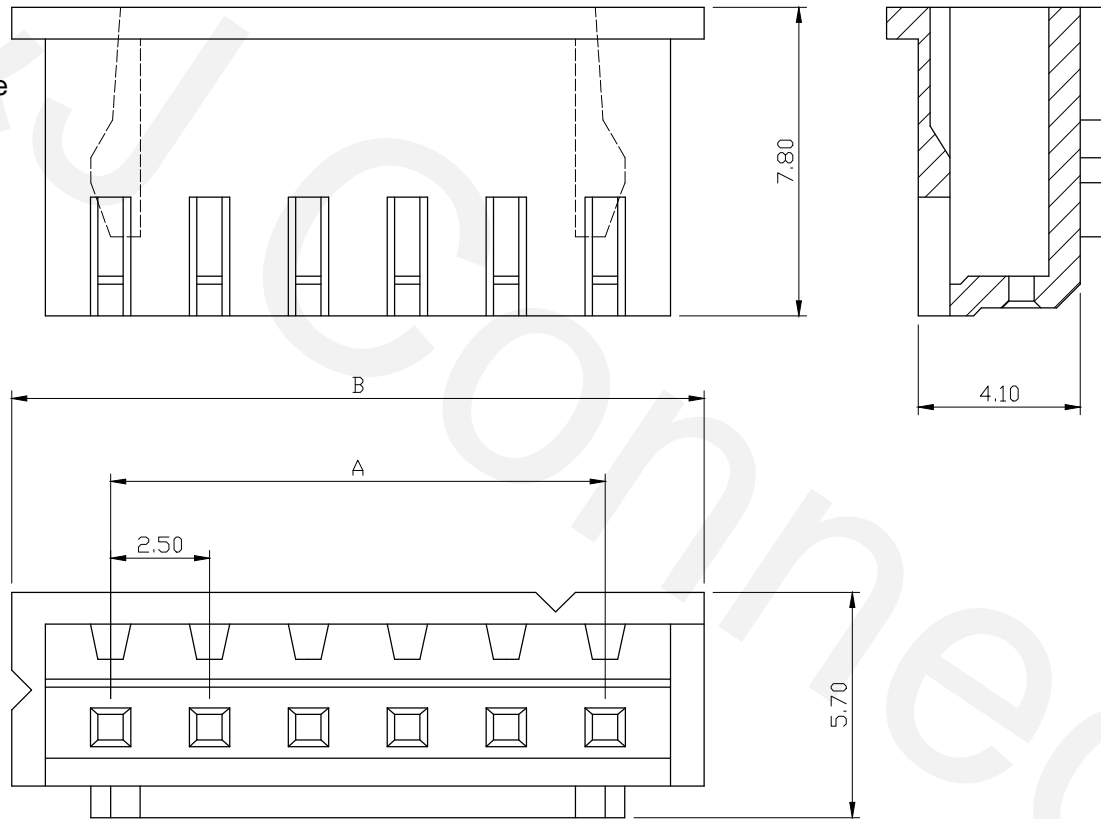
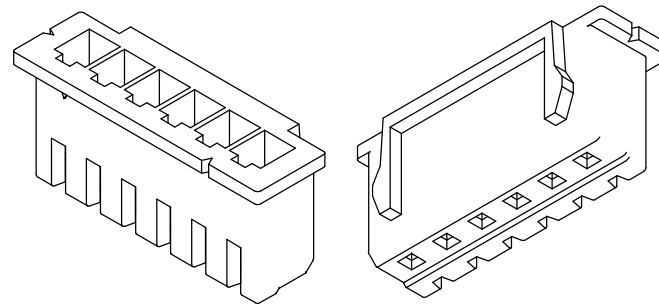
Current Rating: 3A AC/DC

Voltage Rating: 250V AC/DC

Withstand Voltage: 1000V AC/minute

Contact Resistance: 20mΩ

Insulation Resistance: 1000MΩ



REVISIONS			
REV	DESCRIPTION	DATE	DRAWN
A			

Circuitis	Dim. A	Dim. B
2	2.50	7.50
3	5.00	10.00
4	7.50	12.50
5	10.00	15.00
6	12.50	17.50
7	15.00	20.00
8	17.50	22.50
9	20.00	25.00
10	22.50	27.50
11	25.00	30.00
12	27.50	32.50
13	30.00	35.00
14	32.50	37.50
15	35.00	40.00
16	37.50	42.50

RoHS Compliant



TEL: 886-2-86871898 FAX: 886-2-86872959
 Mail: tceldh@gmail.com Web: http://www.cnj.tw/

TITLE

.098"(2.5mm) Wire to Board Housing

DIMENSION TOLERANCE

.x ±0.30 x° ±2°
 .xx ±0.20
 .xxx ±0.10

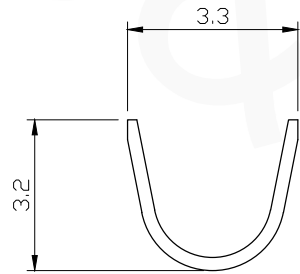
P/N	H230S**000	CHECKED	David	UNIT	mm	DATE	2010/08/03
DRAWN	Michael	APPROVED	Lily	SCALE	1:1	REV	A

☆☆☆ **230 Series** ☆☆☆

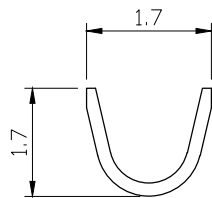
P/N: T230P00T00

Conductor: Phosphor Bronze/ Tin-Plated

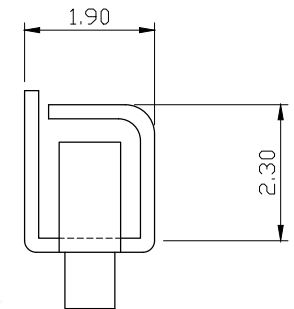
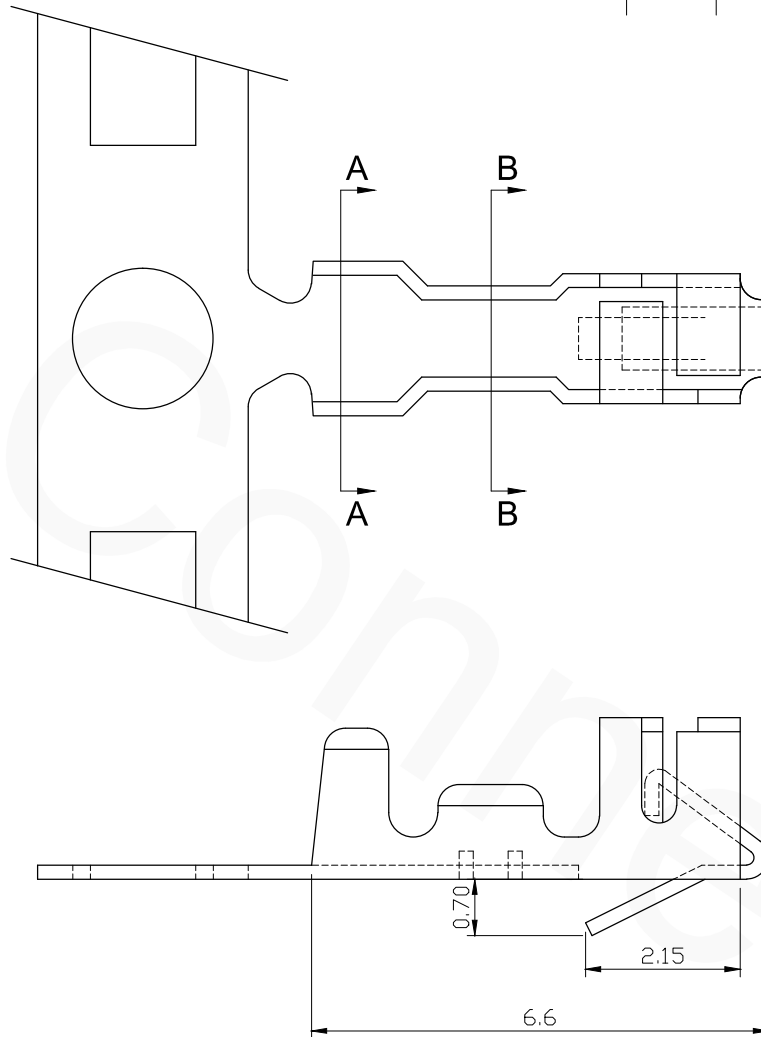
Thickness: 0.2mm



Section A-A



Section B-B



REVISIONS			
REV	DESCRIPTION	DATE	DRAWN
A	ECN	11/06/22	Michael

RoHS Compliant



TEL: 886-2-86871898 FAX: 886-2-86872959
Mail: tceldh@gmail.com Web: <http://www.cnj.tw/>

TITLE

.098"(2.5mm) Crimp Terminal

DIMENSION TOLERANCE

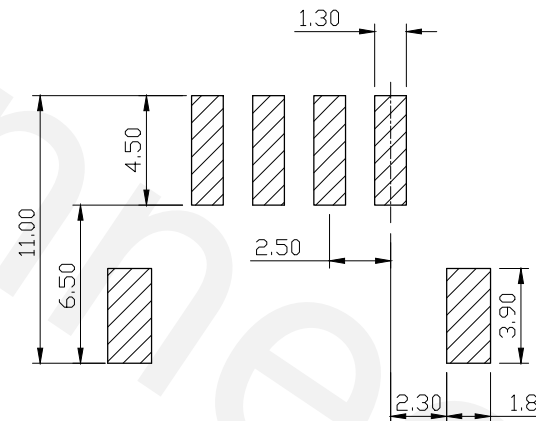
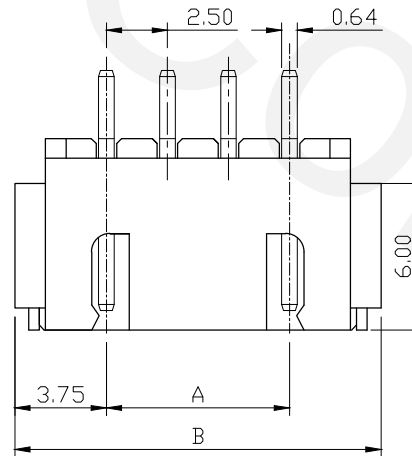
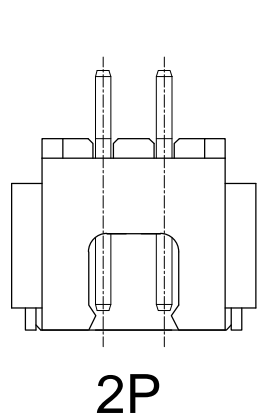
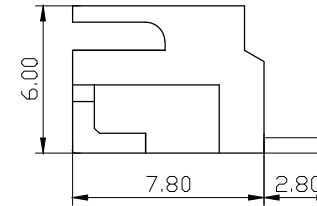
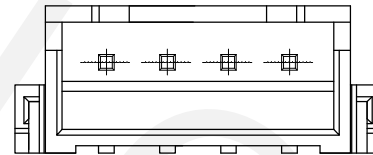
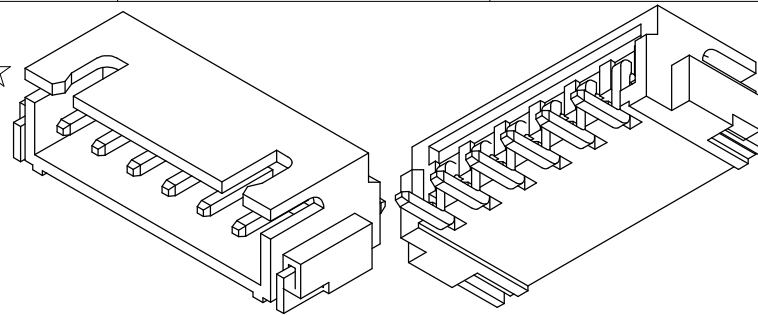
.x ±0.30 x° ±2°
.xx ±0.20
.xxx ±0.10

P/N	T230P00T0	CHECKED	David	UNIT	mm	DATE	2010/08/04
DRAWN	Michael	APPROVED	Lily	SCALE	1:1	REV	A

☆☆☆ 230 Series ☆☆☆

P/N: W230H**G0S
 Material: Nylon 6T, UL 94V-0
 Conductor: SQ0.64, Brass, Gold-Flash
 Available: 2~16P
 Mate with H230

Current Rating: 3A AC/DC (Max) AWG#22
 Voltage Rating: 250V AC/DC
 Contact Resistance: 10mΩ Max.
 Insulation Resistance: 1000MΩ Min.
 Withstand Voltage: 1000V AC/minute
 Temperature Range: -25°C~85°C



REVISIONS			
REV	DESCRIPTION	DATE	DRAWN
A			

Circuitis	Dim. A	Dim. B
2	2.50	10.00
3	5.00	12.50
4	7.50	15.00
5	10.00	17.50
6	12.50	20.00
7	15.00	22.50
8	17.50	25.00
9	20.00	27.50
10	22.50	30.00
11	25.00	32.50
12	27.50	35.00
13	30.00	37.50
14	32.50	40.00
15	35.00	42.50
16	37.50	45.00

RoHS Compliant



TEL: 886-2-86871898 FAX: 886-2-86872959
 Mail: tceldh@gmail.com Web: http://www.cnj.tw/

TITLE
.098"(2.5mm) Wire to Board Horizontal SMT Wafer

DIMENSION TOLERANCE	
.x	±0.30 x° ±2°
.xx	±0.20
.xxx	±0.10

P/N	W230H**G0S	CHECKED	David	UNIT	mm	DATE	2010/11/12
DRAWN	Michael	APPROVED	Lily	SCALE	1:1	REV	A