

☆☆☆ 232 Series ☆☆☆

P/N: H232S**000

Material: Nylon 6/6, UL 94V-2, White

Available: 2~15P

Mate with W232

Current Rating: 2.5A AC/DC

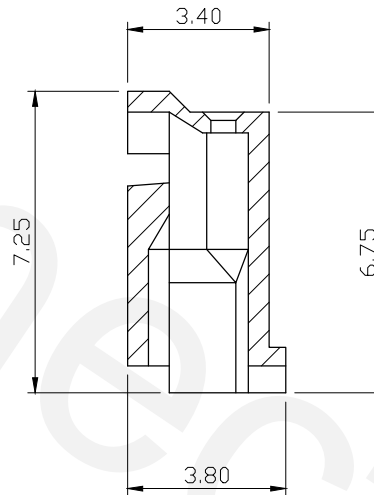
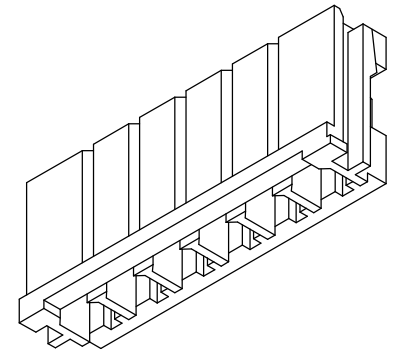
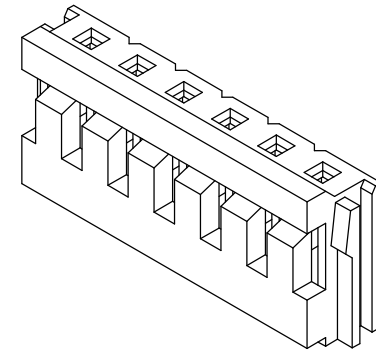
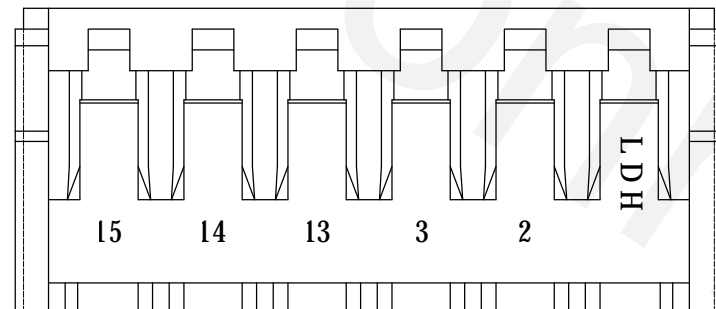
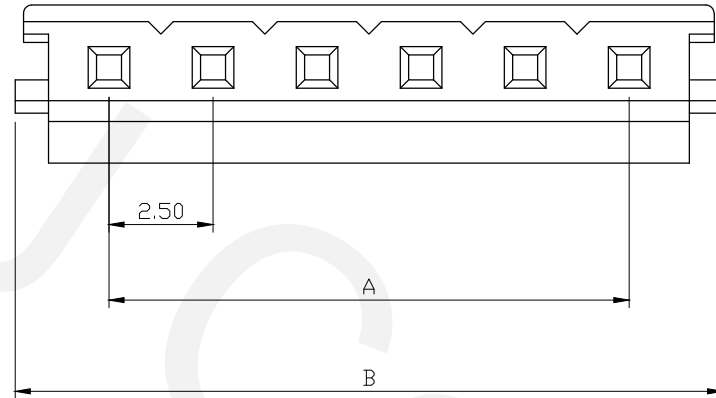
Voltage Rating: 250V AC/DC

Contact Resistance: 10mΩ Max.

Insulation Resistance: 1000MΩ Min.

Withstanding Voltage: 800V AC/minute

Operating Temperature Range: -25°C~85°C



Circuitis	Dim. A	Dim. B
2	2.50	7.00
3	5.00	9.50
4	7.50	12.00
5	10.00	14.50
6	12.50	17.00
7	15.00	19.50
8	17.50	22.00
9	20.00	24.50
10	22.50	27.00
11	25.00	29.50
12	27.50	32.00
13	30.00	34.50
14	32.50	37.00
15	35.00	39.50

RoHS Compliant

 **C&J Connector**

TEL: 886-2-86871898 FAX: 886-2-86872959
Mail: tceldh@gmail.com Web: <http://www.cnj.tw/>

TITLE

.098"(2.5mm) Wire to Board Housing

DIMENSION TOLERANCE

.x ±0.30 x° ±2°
.xx ±0.20
.xxx ±0.10

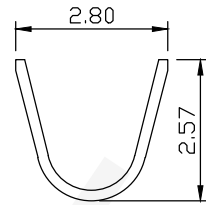
P/N	H232S**000	CHECKED	David	UNIT	mm	DATE	2010/08/03
DRAWN	Michael	APPROVED	Lily	SCALE	1:1	REV	A

☆☆☆ 232 Series ☆☆☆

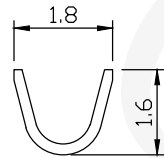
P/N: T232P00T00

Conductor: Phosphor Bronze/ Tin-Plated

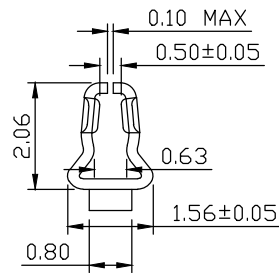
Thickness: 0.2mm



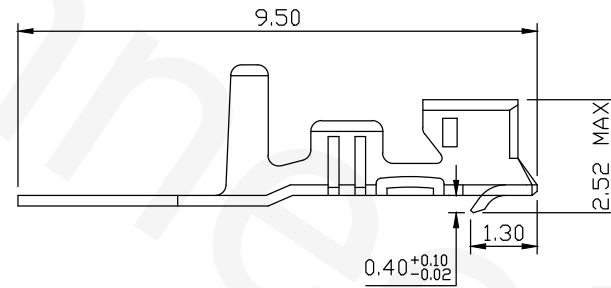
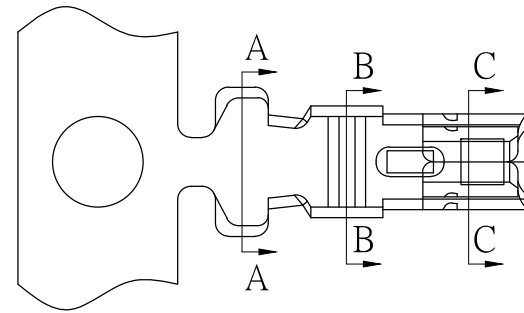
Section A-A



Section B-B



Section C-C



REVISIONS			
REV	DESCRIPTION	DATE	DRAWN
A			

RoHS Compliant



TEL: 886-2-86871898 FAX: 886-2-86872959
Mail: tceldh@gmail.com Web: http://www.cnj.tw/

TITLE

.098"(2.5mm) Crimp Terminal

DIMENSION TOLERANCE

.x ±0.30 x° ±2°
.xx ±0.20
.xxx ±0.10

P/N	T232P00T00	CHECKED	David	UNIT	mm	DATE	2010/08/04
DRAWN	Michael	APPROVED	Lily	SCALE	1:1	REV	A

☆☆☆ **232 Series** ☆☆☆

P/N: W232H**T00

Material: Nylon 6/6, UL 94V-2, White

Conductor: SQ0.64, Brass, Tin-Plated

Available: 2~15P

Mate with H232

Current Rating: 2.5A AC/DC

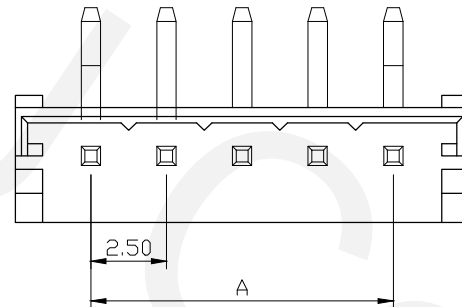
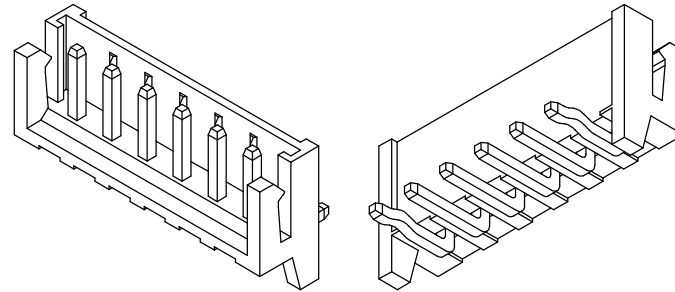
Voltage Rating: 250V AC/DC

Contact Resistance: 10mΩ Max.

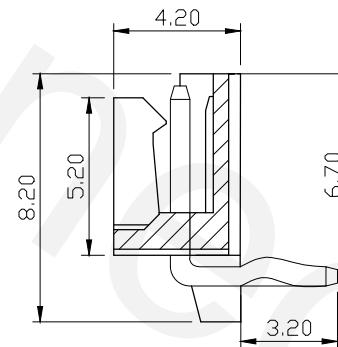
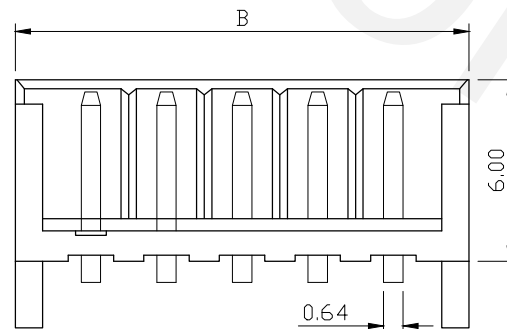
Insulation Resistance: 1000MΩ Min.

Withstanding Voltage: 800V AC/minute

Operating Temperature Range: -25°C~85°C



RECOMMENDED P.C. BOARD HOLE DIMM.



REVISIONS

REV	DESCRIPTION	DATE	DRAWN
A			

Circuitis	Dim. A	Dim. B
2	2.50	7.50
3	5.00	10.00
4	7.50	12.50
5	10.00	15.00
6	12.50	17.50
7	15.00	20.00
8	17.50	22.50
9	20.00	25.00
10	22.50	27.50
11	25.00	30.00
12	27.50	32.50
13	30.00	35.00
14	32.50	37.50
15	35.00	40.00

RoHS Compliant



TEL: 886-2-86871898 FAX: 886-2-86872959
 Mail: tceldh@gmail.com Web: http://www.cnj.tw/

TITLE

.098"(2.5mm) Wire to Board Horizontal Wafer

DIMENSION TOLERANCE

.x ±0.30 x° ±2°
 .xx ±0.20
 .xxx ±0.10

P/N	W232H**T00	CHECKED	David	UNIT	mm	DATE	2010/10/25
DRAWN	Michael	APPROVED	Lily	SCALE	1:1	REV	A

☆☆☆ 232 Series ☆☆☆

P/N: W232V**T00

Material: Nylon 6/6, UL 94V-2, White

Conductor: SQ0.64, Brass, Tin-Plated

Available: 2~15P

Mate with H232

Current Rating: 2.5A AC/DC

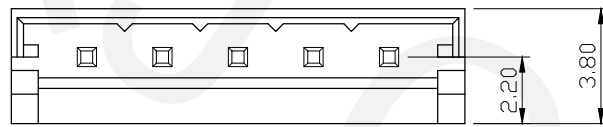
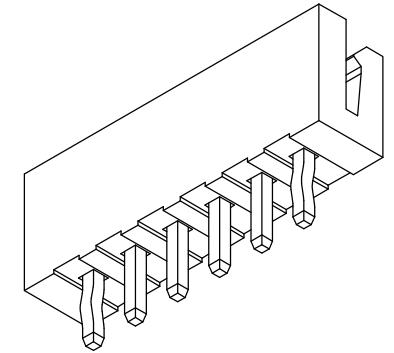
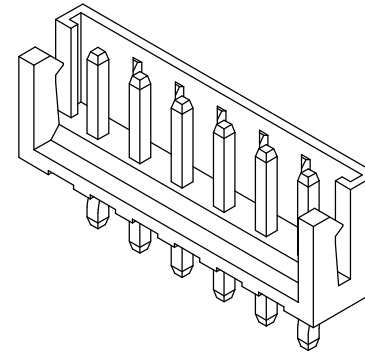
Voltage Rating: 250V AC/DC

Contact Resistance: 10mΩ Max.

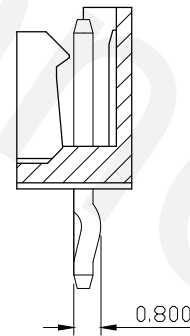
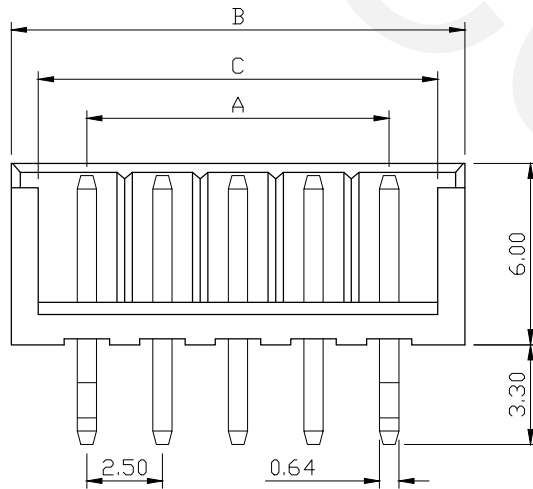
Insulation Resistance: 1000MΩ Min.

Withstanding Voltage: 800V AC/minute

Operating Temperature Range: -25°C~85°C



RECOMMENDED P.C.BOARD HOLE DIMM.



Circuitis	Dim. A	Dim. B	Dim. C
2	2.50	7.50	5.70
3	5.00	10.00	8.20
4	7.50	12.50	10.70
5	10.00	15.00	13.20
6	12.50	17.50	15.70
7	15.00	20.00	18.20
8	17.50	22.50	20.70
9	20.00	25.00	23.20
10	22.50	27.50	25.70
11	25.00	30.00	28.20
12	27.50	32.50	30.70
13	30.00	35.00	33.20
14	32.50	37.50	35.70
15	35.00	40.00	38.20

RoHS Compliant



TEL: 886-2-86871898 FAX: 886-2-86872959
 Mail: tceldh@gmail.com Web: http://www.cnj.tw/

TITLE

.098"(2.5mm) Wire to Board Vertical Wafer

DIMENSION TOLERANCE

.x ±0.30 x° ±2°
 .xx ±0.20
 .xxx ±0.10

P/N	W232V**T00	CHECKED	David	UNIT	mm	DATE	2010/10/25
DRAWN	Michael	APPROVED	Lily	SCALE	1:1	REV	A

☆☆☆ 232 Series ☆☆☆

P/N: W232V**TN0

Material: Nylon 6/6, UL 94V-2, White

Conductor: SQ0.64, Brass, Tin-Plated

Available: 2~15P

Mate with H232

Current Rating: 2.5A AC/DC

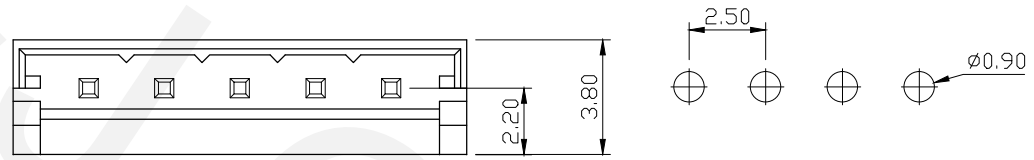
Voltage Rating: 250V AC/DC

Contact Resistance: 10mΩ Max.

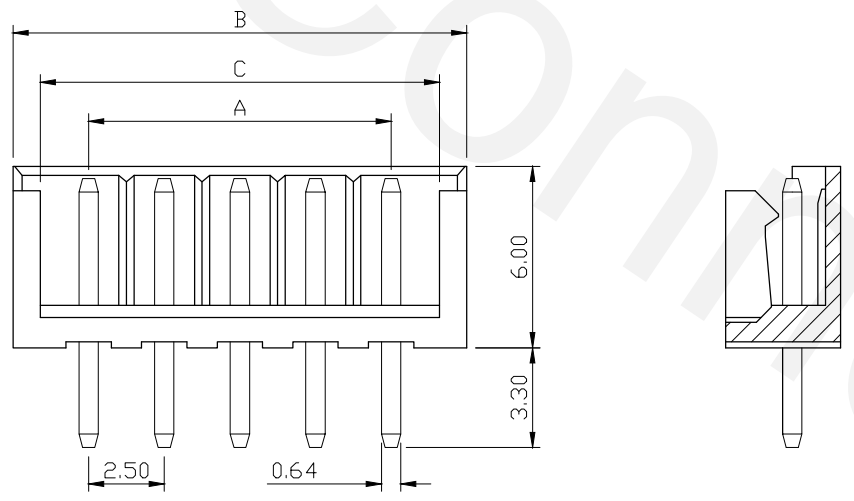
Insulation Resistance: 1000MΩ Min.

Withstanding Voltage: 800V AC/minute

Operating Temperature Range: -25°C~85°C



RECOMMENDED P.C.BOARD HOLE DIMM.



Circuitis	Dim. A	Dim. B	Dim. C
2	2.50	7.50	5.70
3	5.00	10.00	8.20
4	7.50	12.50	10.70
5	10.00	15.00	13.20
6	12.50	17.50	15.70
7	15.00	20.00	18.20
8	17.50	22.50	20.70
9	20.00	25.00	23.20
10	22.50	27.50	25.70
11	25.00	30.00	28.20
12	27.50	32.50	30.70
13	30.00	35.00	33.20
14	32.50	37.50	35.70
15	35.00	40.00	38.20

RoHS Compliant



TEL: 886-2-86871898 FAX: 886-2-86872959
 Mail: tceldh@gmail.com Web: http://www.cnj.tw/

TITLE .098"(2.5mm) Wire to Board Vertical Wafer
 DIMENSION TOLERANCE
 .x ±0.30 x° ±2°
 .xx ±0.20
 .xxx ±0.10

P/N	W232V**TN0	CHECKED	David	UNIT	mm	DATE	2011/01/10
DRAWN	Michael	APPROVED	Lily	SCALE	1:1	REV	A