

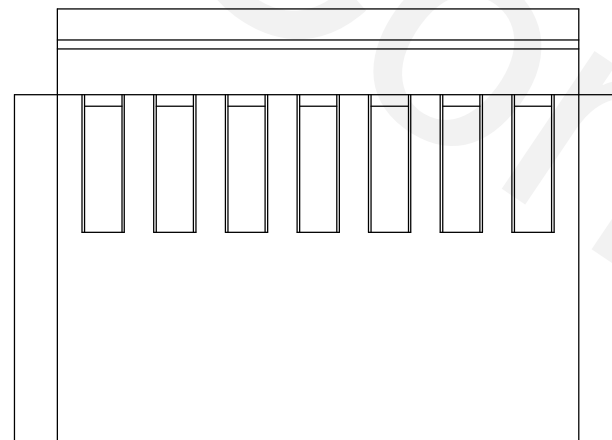
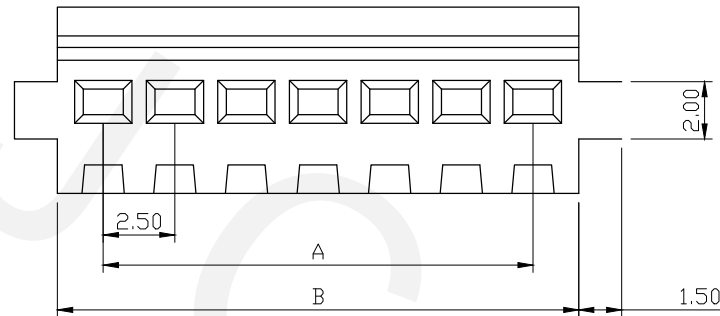
# ☆☆☆ 234 Series ☆☆☆

P/N: H234S\*\*000

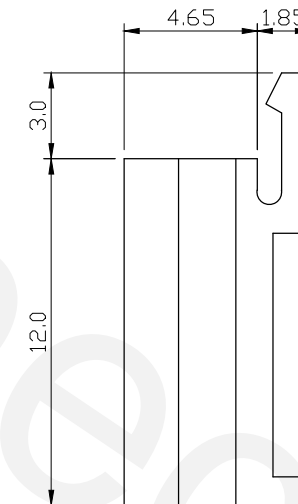
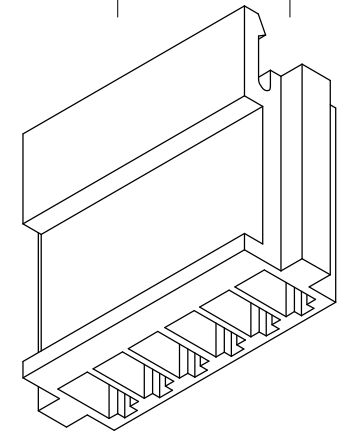
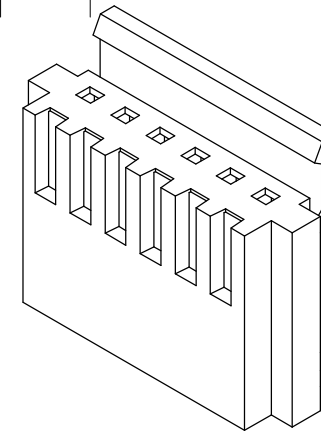
Material: Nylon 6/6, UL 94V-0, Wthie

Available: 2~10P

Mate with W234



REVISIONS			
REV	DESCRIPTION	DATE	DRAWN
A			



Circuitis	Dim. A	Dim. B
2	2.50	5.80
3	5.00	8.30
4	7.50	10.80
5	10.00	13.30
6	12.50	15.80
7	15.00	18.30
8	17.50	20.80
9	20.00	23.30
10	22.50	25.80

RoHS Compliant



TEL: 886-2-86871898 FAX: 886-2-86872959  
Mail: tceldh@gmail.com Web: http://www.cnj.tw/

TITLE

.098"(2.5mm) Wire to Board Housing

DIMENSION TOLERANCE

.x ±0.30 x° ±2°  
.xx ±0.20  
.xxx ±0.10

P/N	H234S**000	CHECKED	David	UNIT	mm	DATE	2010/08/03
DRAWN	Michael	APPROVED	Lily	SCALE	1:1	REV	A

A

B

C

D

E

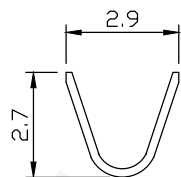
F

## ☆☆☆ 234 Series ☆☆☆

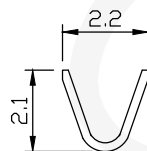
P/N: T234B00T00

Conductor: Phosphor Bronze/ Tin-Plated

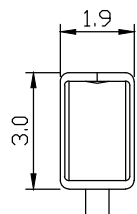
Thickness: 0.2mm



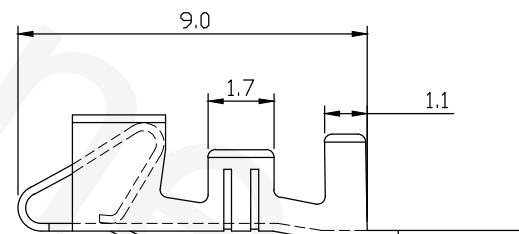
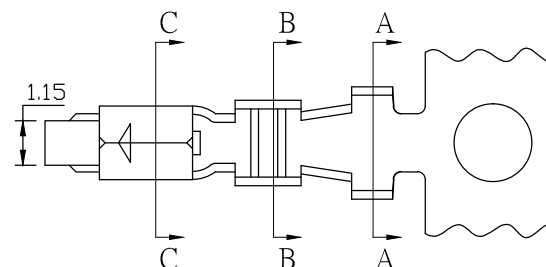
Section A-A



Section B-B



Section C-C



## REVISIONS

REV	DESCRIPTION	DATE	DRAWN
A			

RoHS Compliant


**C&J Connector**

TEL: 886-2-86871898 FAX: 886-2-86872959  
 Mail: tceldh@gmail.com Web: <http://www.cnj.tw/>

TITLE

.098"(2.5mm) Crimp Terminal

DIMENSION TOLERANCE

.x ±0.30 x° ±2°

.xx ±0.20

.xxx ±0.10

P/N	T234B00T00	CHECKED	David	UNIT	mm	DATE	2010/08/04
DRAWN	Michael	APPROVED	Lily	SCALE	1:1	REV	A

A

B

C

D

E

F

☆☆☆ 237 Series ☆☆☆

P/N: W234H\*\*T00

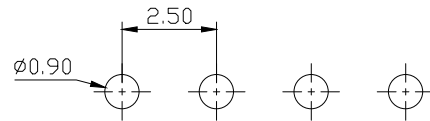
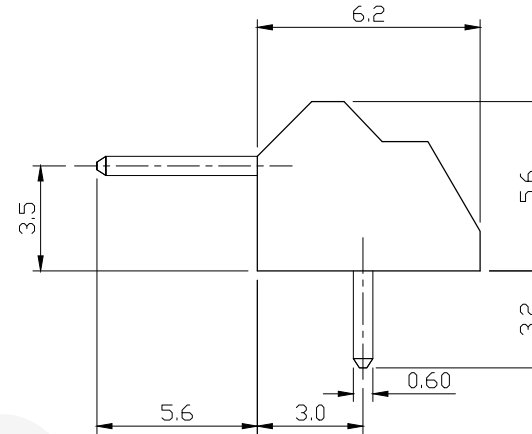
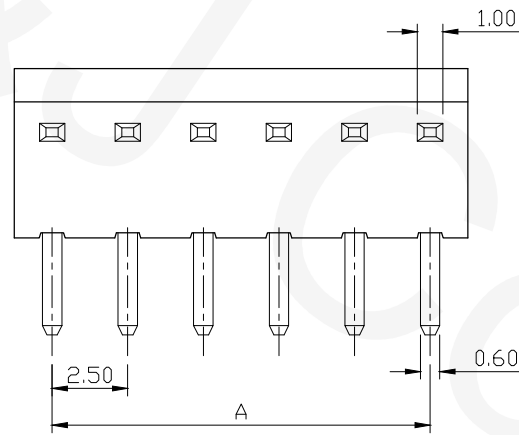
Material: Nylon 6/6, UL 94V-2, White

Conductor: Brass, Tin-Plated

Available: 2~20P

Mate with H234

REVISIONS			
REV	DESCRIPTION	DATE	DRAWN
A			



Circuitis	Dim. A
2	2.50
3	5.00
4	7.50
5	10.00
6	12.50
7	15.00
8	17.50
9	20.00
10	22.50
11	25.00
12	27.50
13	30.00
14	32.50
15	35.00
16	37.50
17	40.00
18	42.50
19	45.00
20	47.50

RoHS Compliant

RECOMMENDED P.C.BOARD HOLE DIMM.



TITLE

.098"(2.5mm) Wire to Board Horizontal Wafer

DIMENSION TOLERANCE

.x ±0.30 x° ±2°  
 .xx ±0.20  
 .xxx ±0.10

TEL: 886-2-86871898 FAX: 886-2-86872959  
 Mail: tceldh@gmail.com Web: http://www.cnj.tw/

P/N	W234H**T00	CHECKED	David	UNIT	mm	DATE	2010/10/25
DRAWN	Michael	APPROVED	Lily	SCALE	1:1	REV	A

☆☆☆ **234 Series** ☆☆☆

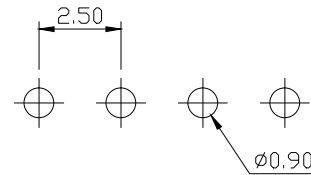
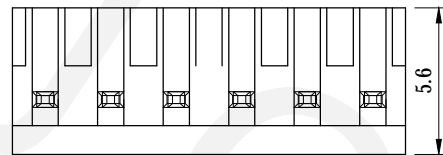
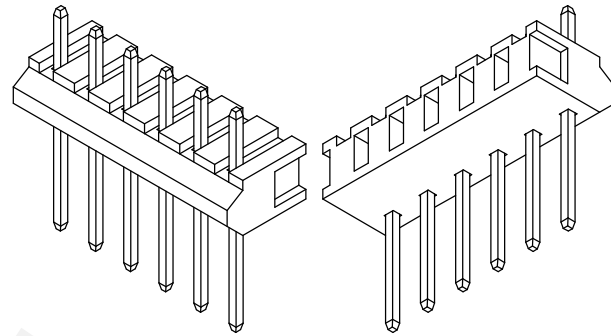
P/N: W234V\*\*T00

Material: Nylon 6/6, UL 94V-2, White

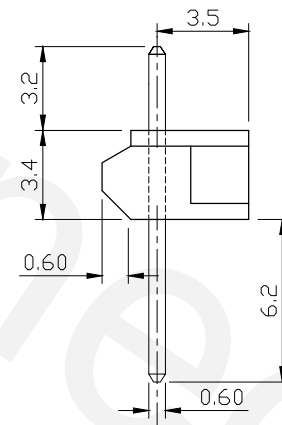
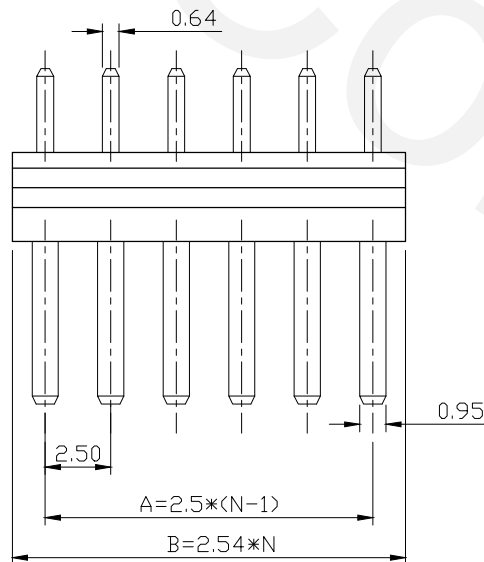
Conductor: Brass, Tin-Plated

Available: 2~20P

Mate with H234



RECOMMENDED P.C.BOARD HOLE DIMM.



REVISIONS			
REV	DESCRIPTION	DATE	DRAWN
A			

RoHS Compliant



TITLE

.098"(2.5mm) Wire to Board Vertical Wafer

DIMENSION TOLERANCE

.x ±0.30 x° ±2°  
 .xx ±0.20  
 .xxx ±0.10

TEL: 886-2-86871898 FAX: 886-2-86872959  
 Mail: tceldh@gmail.com Web: http://www.cnj.tw/

P/N	W234V**T00	CHECKED	David	UNIT	mm	DATE	2010/10/25
DRAWN	Michael	APPROVED	Lily	SCALE	1:1	REV	A