

☆☆☆240 Series ☆☆☆

P/N: H240F**000

Available: 2~12pins

Mate with H240M

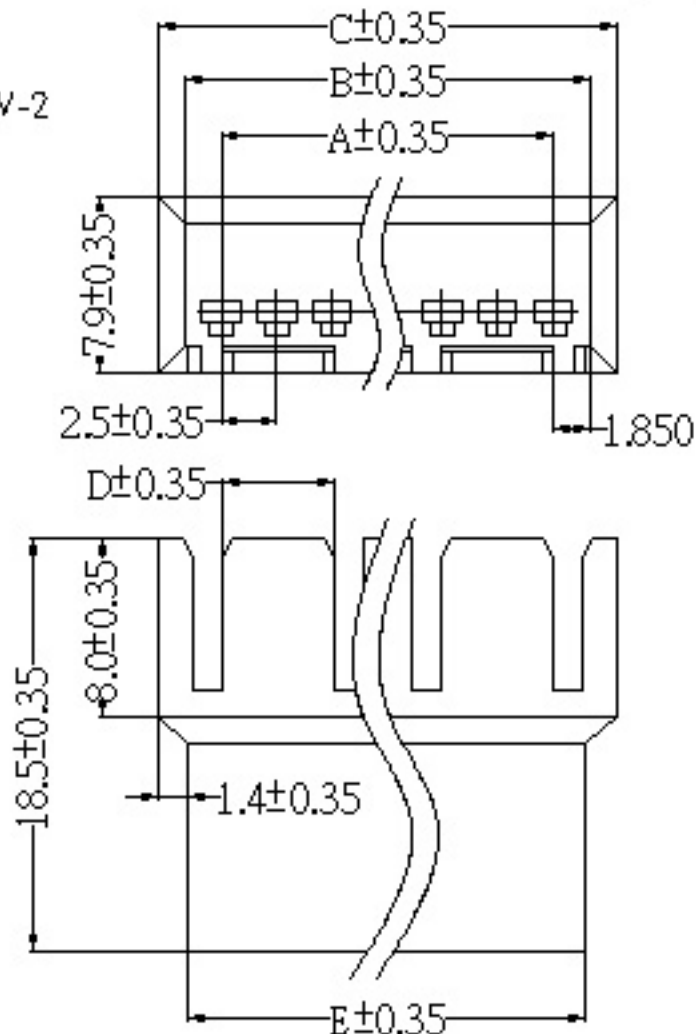
Insulator: Nylon 6/6 UL 94V-2

Color: White

RoHS Compliant

REVISIONS

REV	RCN	DESCRIPTION	DATE	DRAWN	APPROVED
B					
C					



PART NO.	Dim A	Dim B	Dim C	Dim D	Dim E
H240F02000	2.5	6.2	8.6	2.5	5.8
H240F03000	5.0	8.7	11.1	5.0	8.3
H240F04000	7.5	11.2	13.6	7.5	10.8
H240F05000	10.0	13.7	16.1	3.7	13.3
H240F06000	12.5	16.2	18.6	5.0	15.8
H240F07000	15.0	18.7	21.1	5.0	18.3
H240F08000	17.5	21.2	23.6	5.0	20.8
H240F09000	20.0	23.7	26.1	5.0	23.3
H240F10000	22.5	26.2	28.6	5.0	25.8
H240F11000	25.0	28.7	31.1	5.0	28.3
H240F12000	27.5	31.2	33.6	5.0	30.8

TCO 上廣電子(惠州)有限公司
Top com electrical (HuiZhou) co.,ltd

NORMAL DIMENSION TOLERANCE

X ±0.30 X: ±2
.XX ±0.20
.XXX ±0.10

UNITS

mm

SCALE

1:1

MATERIAL

HEAT TREAT

QUANTITY

THIRD ANGLE

PROJECTION



SHEET 1 OF 1

TITLE

DWG NO.

DRAWN

CHECKED

APPROVED

HOUSING

H240F**000

Xc 2007.12.22

SIZE A4 REV A

☆☆☆240 Series ☆☆☆

RoHS Compliant

REVISIONS					
REV	BCN	DESCRIPTION	DATE	DRAWN	APPROVED
B					
C					

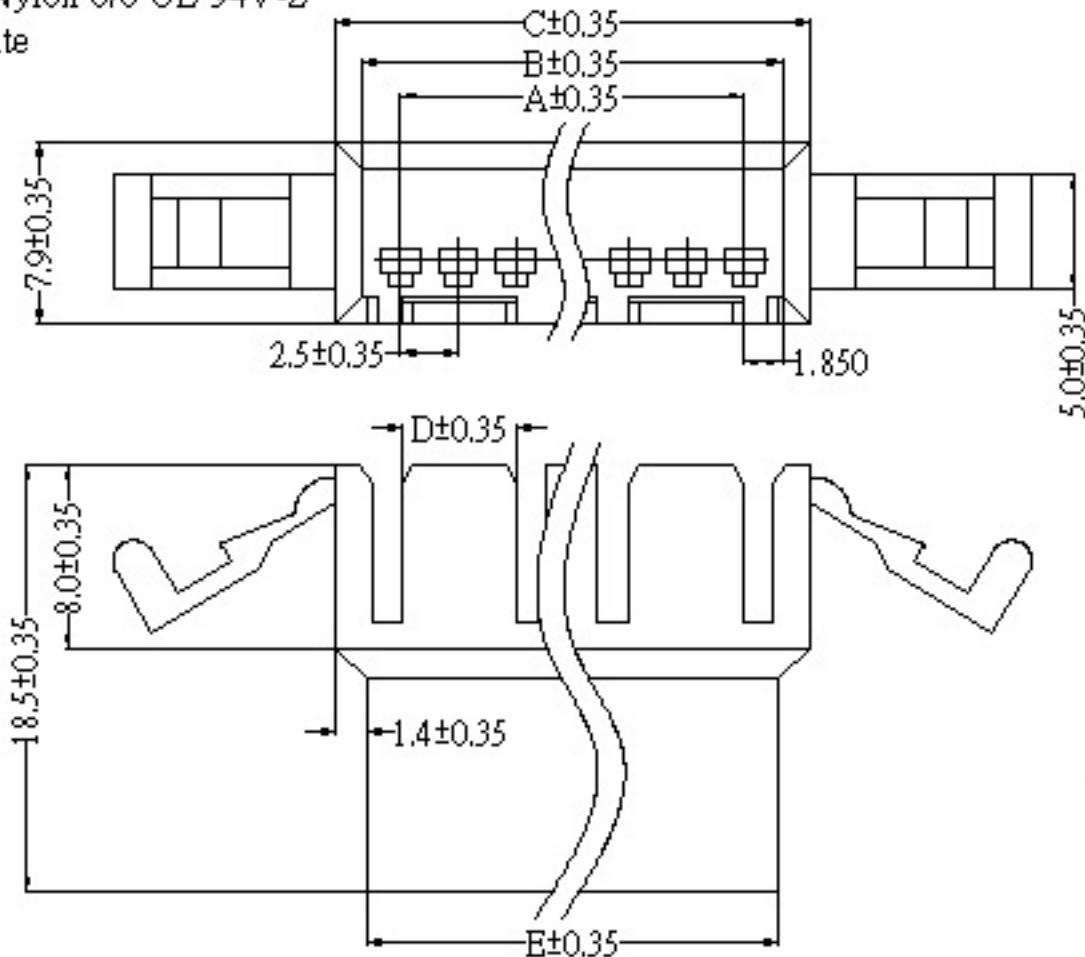
P/N: H240F**0E0

Available: 2~12pins

Mate with H240M

Insulator: Nylon 6/6 UL 94V-2

Color: White



PART NO.	Dim A	Dim B	Dim C	Dim D	Dim E
H240F020E0	2.5	6.2	8.6	2.5	5.8
H240F030E0	5.0	8.7	11.1	5.0	8.3
H240F040E0	7.5	11.2	13.6	7.5	10.8
H240F050E0	10.0	13.7	16.1	3.7	13.3
H240F060E0	12.5	16.2	18.6	5.0	15.8
H240F070E0	15.0	18.7	21.1	5.0	18.3
H240F080E0	17.5	21.2	23.6	5.0	20.8
H240F090E0	20.0	23.7	26.1	5.0	23.3
H240F10E00	22.5	26.2	28.6	5.0	25.8
H240F110E0	25.0	28.7	31.1	5.0	28.3
H240F120E0	27.5	31.2	33.6	5.0	30.8



上廣電子(惠州)有限公司

Top conn electrical (HuiZhou) co.,ltd

NORMAL DIMENSION TOLERANCE

X ±0.30 X' ±0.25
XX ±0.20
XXX ±0.10

UNITS

mm

SCALE

1:1

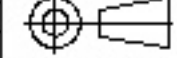
MATERIAL

TREATMENT

QUANTITY

THIRD ANGLE

PROJECTION



SHEET 1 OF 1

TITLE

DWG NO

DRAWN

CHECKED

APPROVED

HOUSING

H240F**0E0

Xr 2007.12.22

SIZE

A4

REV

A

☆☆☆240 Series ☆☆☆

P/N: T240BF0T00

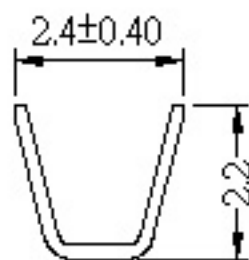
Conductor: Brass/Tin Plated

Thickness: 0.2mm

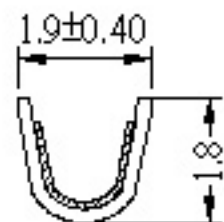
RoHS Compliant

REVISIONS

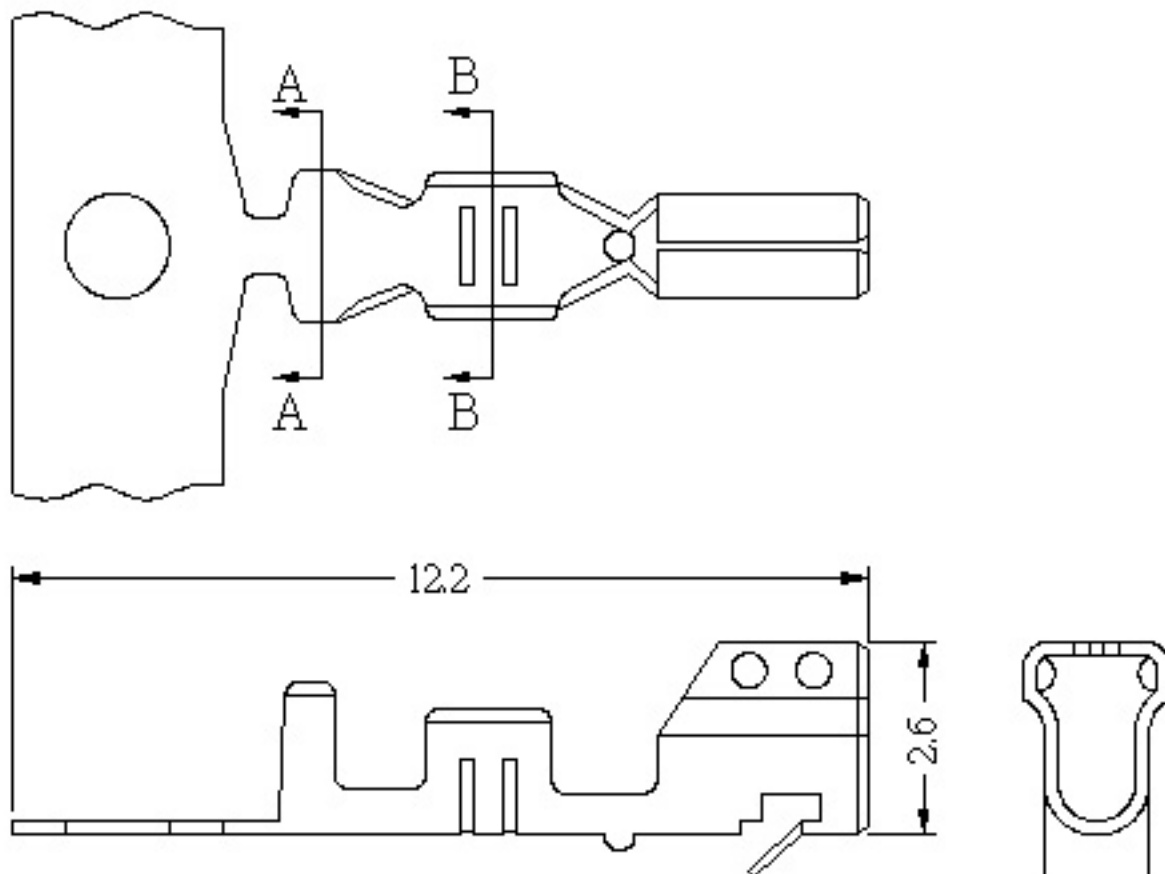
REV	ECN	DESCRIPTION	DATE	DRAWN	APPROVED
B					
C					




Sec A-A



Sec B-B



 C & J Professional

NORMAL DIMENSION TOLERANCE

X .40.30 X'.42"

XX .40.20

XXX .40.10

UNITS

mm

SCALE

1:1

MATERIAL

HEATMENT

QUANTITY

THIRD ANGLE PROJECTION



SHEET 1 OF 1

TITLE

DWG NO.

DRAWN

CHECKED

APPROVED

Terminal

T240BF0T00

Ms 2015.06.05

☆☆☆240 Series ☆☆☆

P/N: T240BM0T00

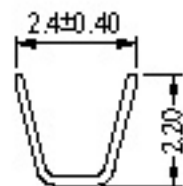
Conductor: Brass/Tin Plated

Thickness: 0.2mm

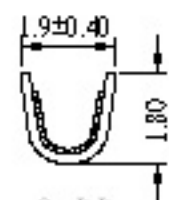
RoHS Compliant

REVISIONS

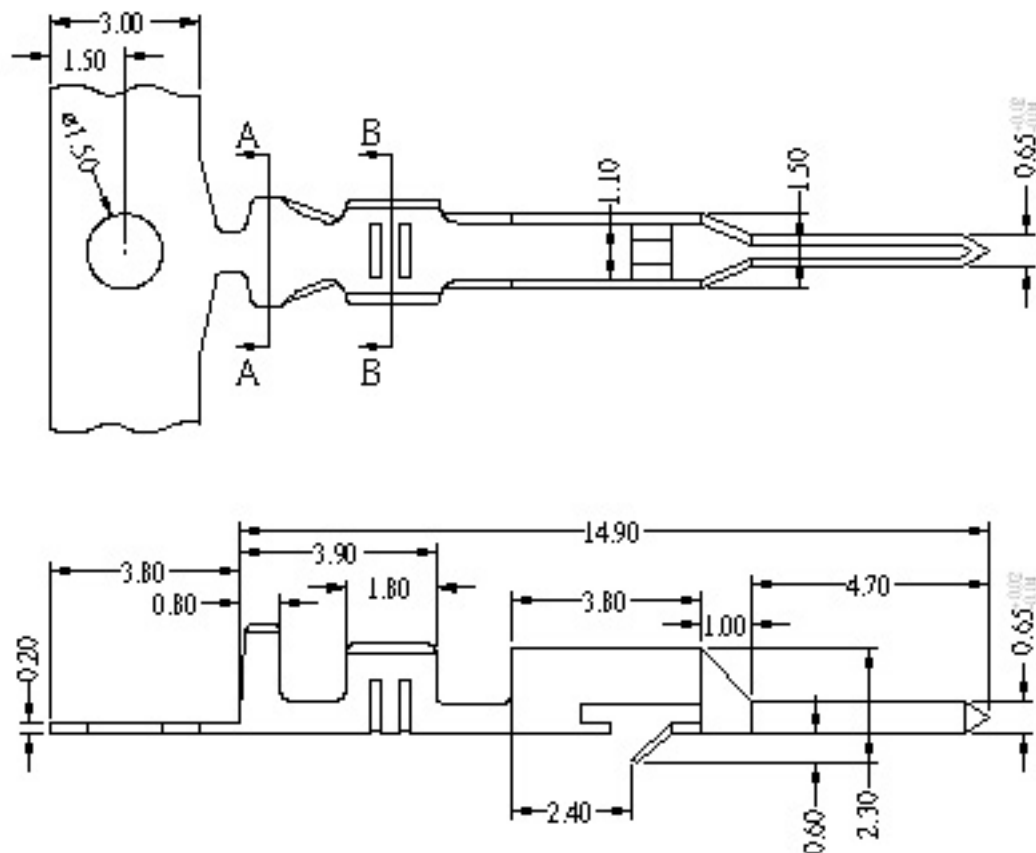
REV	ECN	DESCRIPTION	DATE	DRAWN	APPROVED
B					
C					




Sec A-A



Sec B-B



 C & J Professional

NORMAL DIMENSION TOLERANCE

.X ±0.30 X' ±2'

.XX ±0.20

.XXX ±0.10

UNITS mm

SCALE 1:1

MATERIAL

HEAT TREAT

QUANTITY

THIRD ANGLE PROJECTION



SHEET 1 OF 1

TITLE

DRWG NO.

DRAWN

CHECKED

APPROVED

Terminol

T240BM0T00

MA 2015.06.05