

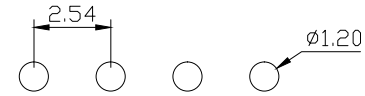
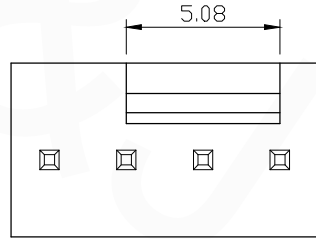
☆☆☆ 266 Series ☆☆☆

P/N: W266V\*\*T00

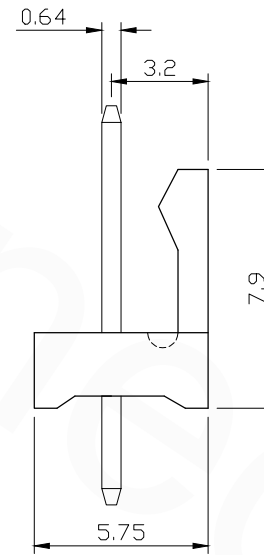
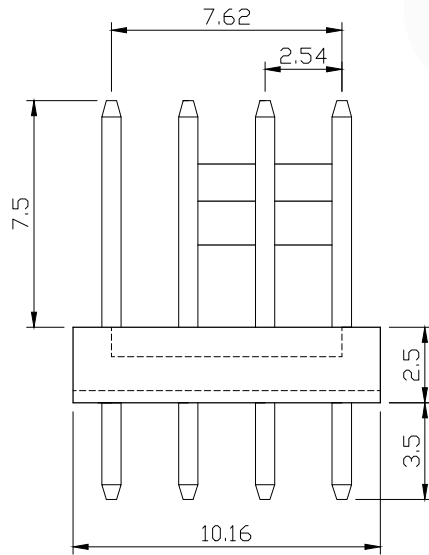
Material: PA 6/6, UL 94V-2, White

Conductor: SQ0.64\*13.5mm, Brass, Tin-Plated

REVISIONS			
REV	DESCRIPTION	DATE	DRAWN
A	Dimension changed	13/5/6	Mike



RECOMMENDED P.C.BOARD HOLE DIMM.



**	Dim. A	Dim. B
2	2.54	5.08
3	5.08	7.62
4	7.62	10.16

RoHS Compliant



TEL: 886-2-86871898 FAX: 886-2-86872959  
 Mail: tceldh@gmail.com Web: http://www.cnj.tw/

TITLE  
 .100"(2.54mm) Wire to Board 4P Vertical Wafer

DIMENSION TOLERANCE	
.x	±0.10
.xx	±0.05
.xxx	±0.02

P/N	W266V**T00	CHECKED	David	UNIT	mm	DATE	2010/11/19
DRAWN	Michael	APPROVED	Lily	SCALE	1:1	REV	A

☆☆☆ 266 Series ☆☆☆

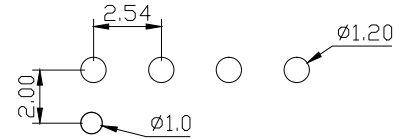
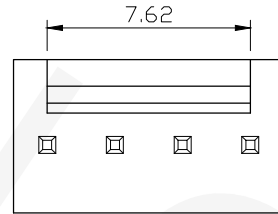
P/N: W266V04TP0

Material: Nylon 6/6, UL 94V-2, Red

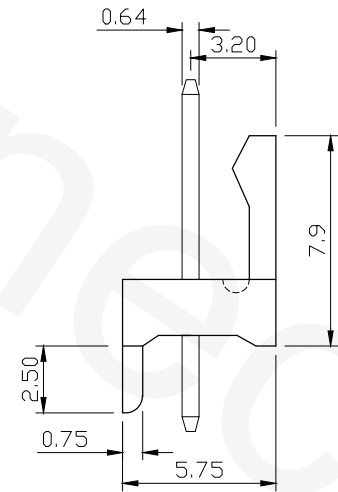
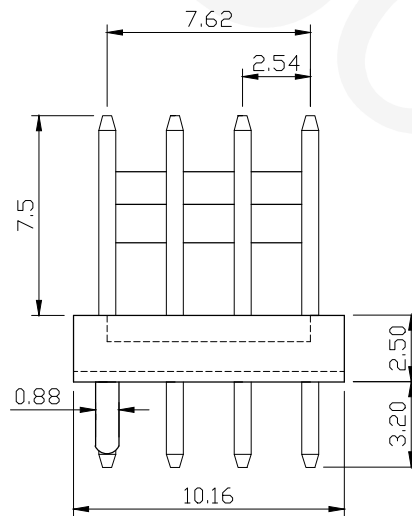
Conductor: SQ0.64\*13.2mm, Brass, Tin-Plated

Mate with H266

REVISIONS			
REV	DESCRIPTION	DATE	DRAWN
A			



RECOMMENDED P.C. BOARD HOLE DIMM.



RoHS Compliant



TEL: 886-2-86871898 FAX: 886-2-86872959  
 Mail: tceldh@gmail.com Web: http://www.cnj.tw/

TITLE  
 .100"(2.54mm) Wire to Board 4P Vertical Wafer with Column

DIMENSION TOLERANCE	
.x	±0.30 x° ±2°
.xx	±0.20
.xxx	±0.10

P/N	W266V04TP0	CHECKED	David	UNIT	mm	DATE	2010/11/30
DRAWN	Michael	APPROVED	Lily	SCALE	1:1	REV	A

# ☆☆☆ 266 Series ☆☆☆

P/N: W266V04TD0-01

Material: Nylon 6/6, UL 94V-2, White

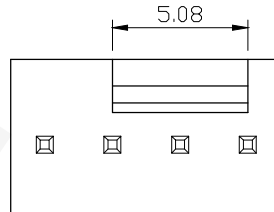
Conductor: SQ0.64\*12.3mm, Brass, Tin-Plated

Mate with H266

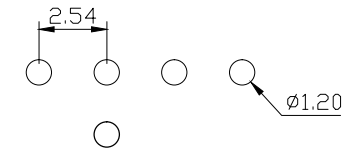
Dielectric Withstanding Voltage: 1000V AC/minute

Soldering Temperature: 230°C

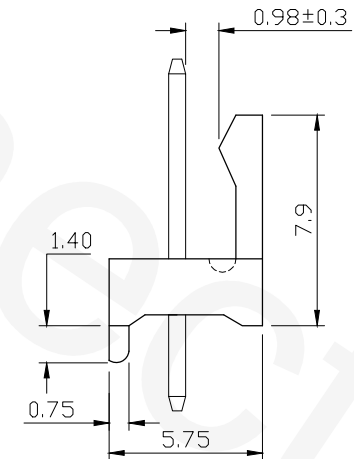
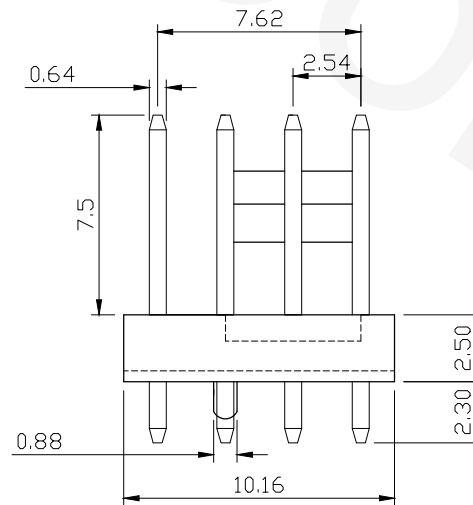
Immersion Period: 3±0.5sec



REVISIONS			
REV	DESCRIPTION	DATE	DRAWN
A			



RECOMMENDED P.C. BOARD HOLE DIMM.



RoHS Compliant



TEL: 886-2-86871898 FAX: 886-2-86872959  
 Mail: tceldh@gmail.com Web: http://www.cnj.tw/

TITLE  
 .100"(2.54mm) Wire to Board 4P Vertical Wafer with Column

DIMENSION TOLERANCE	
.x	±0.30 x° ±2°
.xx	±0.20
.xxx	±0.10

P/N	W266V04TD0-01	CHECKED	David	UNIT	mm	DATE	2010/11/30
DRAWN	Michael	APPROVED	Lily	SCALE	1:1	REV	A

# ☆☆☆ 266 Series ☆☆☆

P/N: W266H04T00

Material: Nylon 6/6, UL 94V-2, Wthie

Conductor: SQ0.64\*17.8mm, Brass, Tin-Plated  
Mate with H266

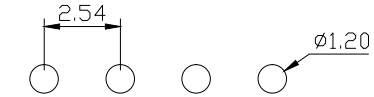
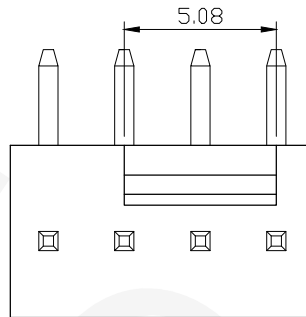
Voltage Rating: 250V AC/DC

Current Rating: 3.0A AC/DC

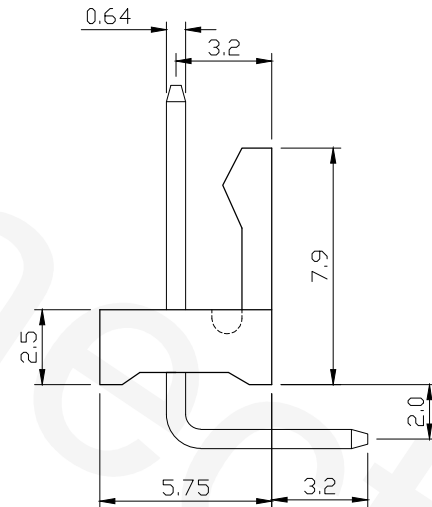
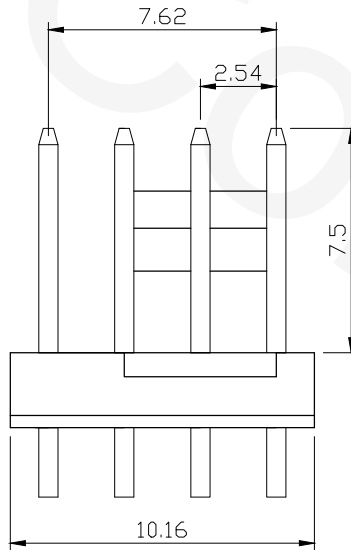
Withstand Voltage: 1000V AC/minute

Contact Resistance: 20mΩ

Insulation Resistance: 1000MΩ



RECOMMENDED P.C.BOARD HOLE DIMM.



RoHS Compliant



TEL: 886-2-86871898 FAX: 886-2-86872959  
Mail: tceldh@gmail.com Web: http://www.cnj.tw/

TITLE

.100"(2.54mm) 4Pin Horizontal Wafer

DIMENSION TOLERANCE

.x ±0.30 x° ±2°  
.xx ±0.20  
.xxx ±0.10

P/N	W266H04T00	CHECKED	David	UNIT	mm	DATE	2010/08/30
DRAWN	Michael	APPROVED	Lily	SCALE	1:1	REV	A

REVISIONS			
REV	DESCRIPTION	DATE	DRAWN
A			