

☆☆☆ 267 Series ☆☆☆

P/N: H267P04T0B

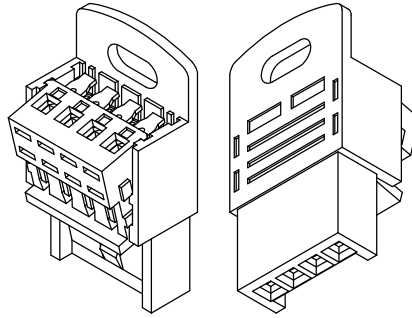
Material: PC/ABS, UL 94V-0, Blue

Conductor: Phosphor Bronze, 100±10u" Tin over 50±10u" Ni

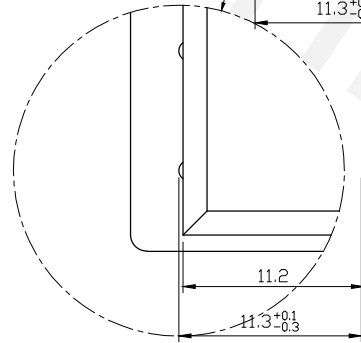
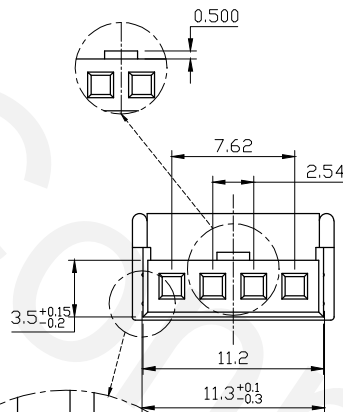
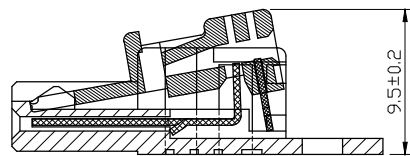
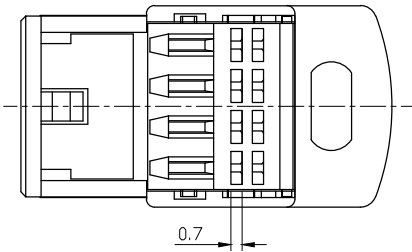
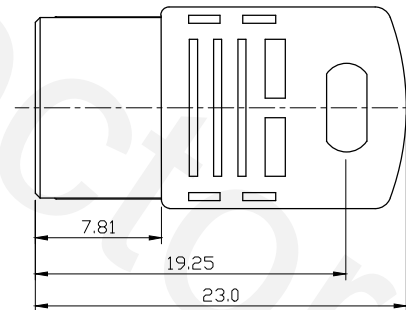
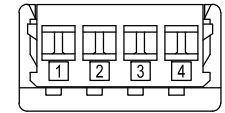
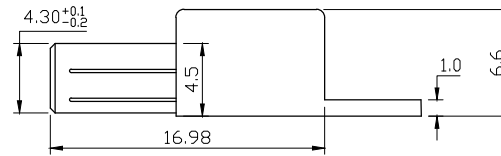
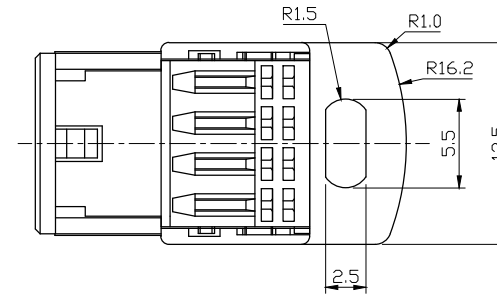
Mate with W267

Contact Resistance: 30mΩ DC100mA Max.

Withstanding Voltage: AC750V/minute Min.



| REVISIONS | | | |
|-----------|-------------|------|-------|
| REV | DESCRIPTION | DATE | DRAWN |
| A | | | |



RoHS Compliant



TEL: 886-2-86871898 FAX: 886-2-86872959
Mail: tceldh@gmail.com Web: http://www.cnj.tw/

TITLE

.100"(2.54mm) Housing

DIMENSION TOLERANCE

.x ±0.30 x° ±2°
.xx ±0.20
.xxx ±0.10

| | | | | | | | |
|-------|------------|----------|-------|-------|-----|------|------------|
| P/N | H267P04T0B | CHECKED | David | UNIT | mm | DATE | 2010/08/30 |
| DRAWN | Michael | APPROVED | Lily | SCALE | 1:1 | REV | A |

☆☆☆ 267 Series ☆☆☆

P/N: H267P04T1B

Material: PC/ABS, UL 94V-0, Black

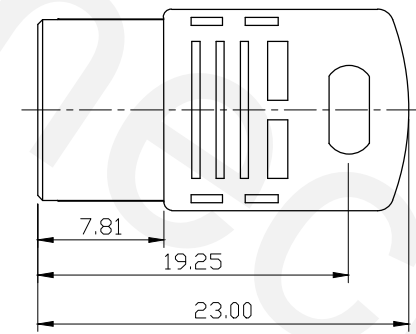
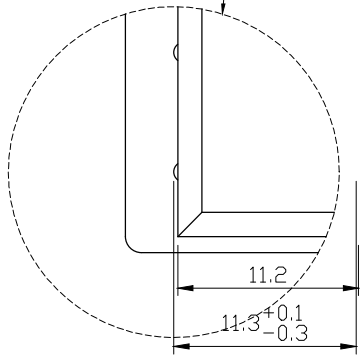
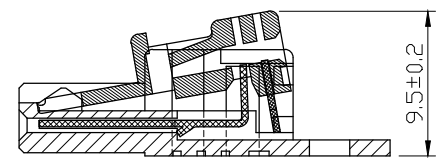
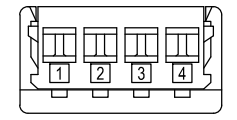
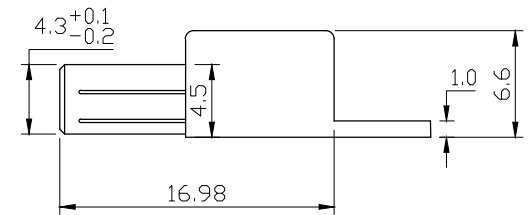
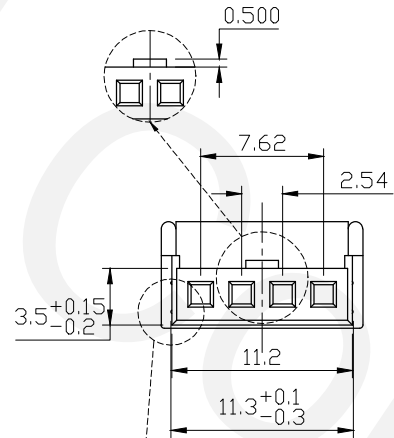
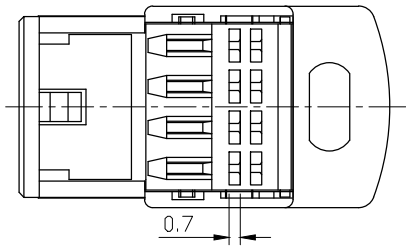
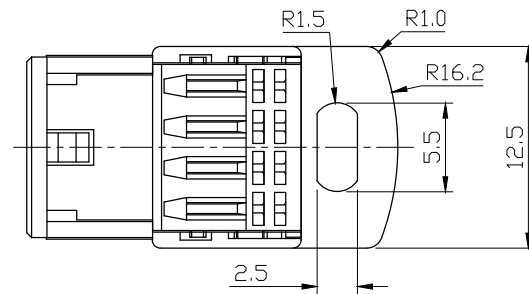
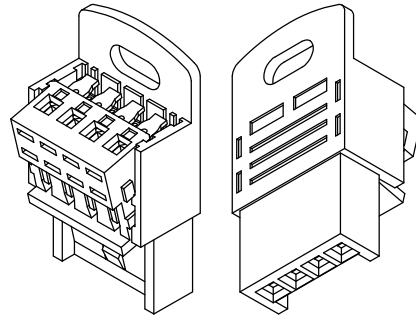
Conductor: Phosphor Bronze, 100±10u" Tin over 50±10u" Ni

Mate with W267

Contact Resistance: 30mΩ DC100mA Max.

Withstanding Voltage: AC500V/minute Min.

| REVISIONS | | | |
|-----------|-------------|------|-------|
| REV | DESCRIPTION | DATE | DRAWN |
| A | | | |



RoHS Compliant



TEL: 886-2-86871898 FAX: 886-2-86872959
 Mail: tceldh@gmail.com Web: http://www.cnj.tw/

TITLE

.100"(2.54mm) Housing

DIMENSION TOLERANCE

.x ±0.30 x° ±2°
 .xx ±0.20
 .xxx ±0.10

| | | | | | | | |
|-------|------------|----------|-------|-------|-----|------|------------|
| P/N | H267P04T1B | CHECKED | David | UNIT | mm | DATE | 2010/08/30 |
| DRAWN | Michael | APPROVED | Lily | SCALE | 1:1 | REV | A |

A

B

C

D

E

F

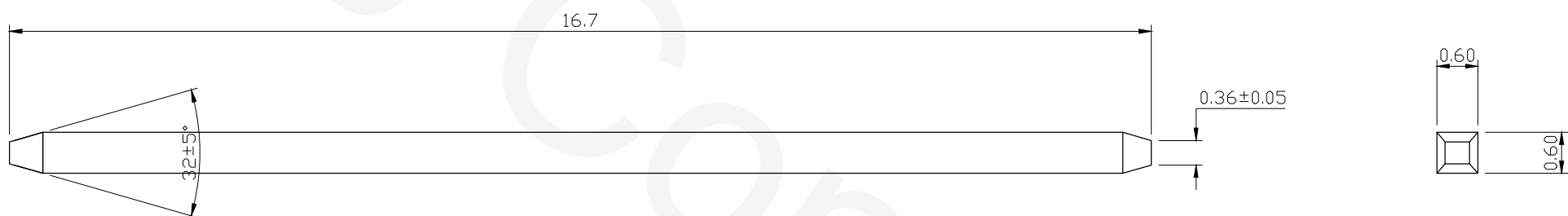
☆☆☆ 267 Series ☆☆☆

P/N: T267B00TP0

Conductor: Brass, Tin-Plated

REVISIONS

| REV | DESCRIPTION | DATE | DRAWN |
|-----|-------------|------|-------|
| A | | | |



RoHS Compliant



TEL: 886-2-86871898 FAX: 886-2-86872959
 Mail: tceldh@gmail.com Web: http://www.cnj.tw/

TITLE

.100"(2.54mm) Pin

DIMENSION TOLERANCE

.x ±0.30 x° ±2°
 .xx ±0.20
 .xxx ±0.10

| | | | | | | | |
|-------|------------|----------|-------|-------|-----|------|------------|
| P/N | T267B00TP0 | CHECKED | David | UNIT | mm | DATE | 2010/10/12 |
| DRAWN | Michael | APPROVED | Lily | SCALE | 1:1 | REV | A |

A

B

C

D

E

F

A

B

C

D

E

F

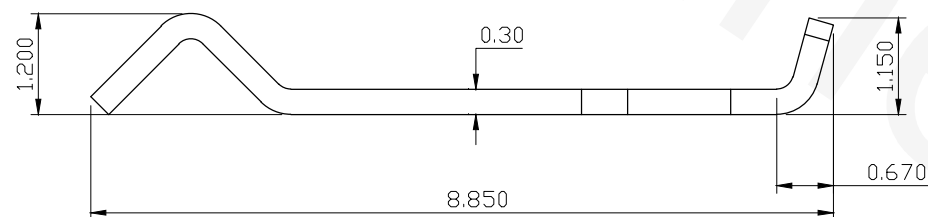
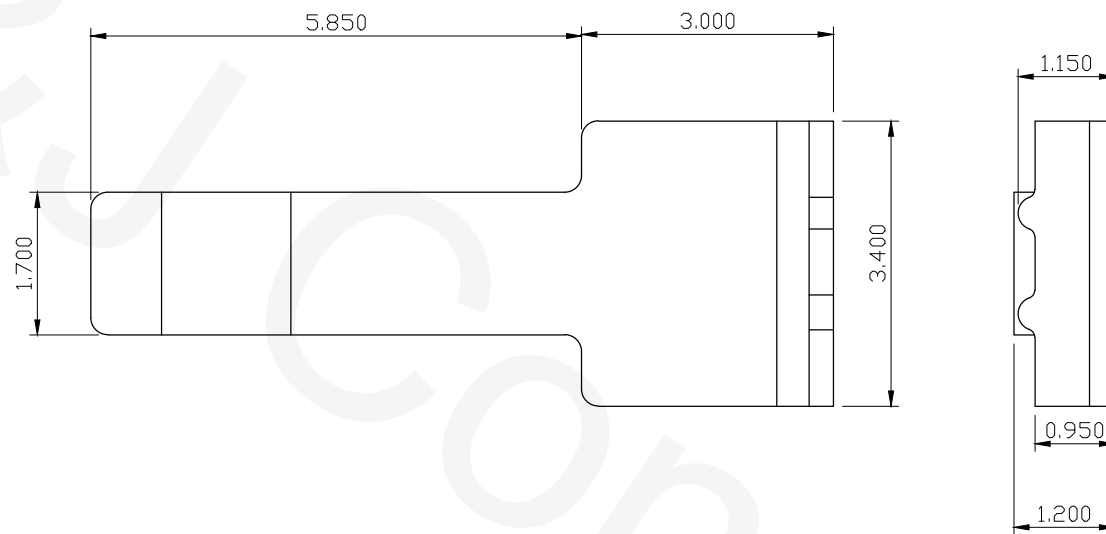
☆☆☆ 267 Series ☆☆☆

P/N: T267P00TH0

Conductor: Phosphor Bronze, Tin-Plated 100±10u"

REVISIONS

| REV | DESCRIPTION | DATE | DRAWN |
|-----|-------------|------|-------|
| A | | | |



RoHS Compliant


C&J Connector

TEL: 886-2-86871898 FAX: 886-2-86872959
 Mail: tceldh@gmail.com Web: http://www.cnj.tw/

TITLE

.100"(2.54mm) Crimp Terminal

DIMENSION TOLERANCE

.x ±0.30 x° ±2°

.xx ±0.20

.xxx ±0.10

| | | | | | | | |
|-------|------------|----------|-------|-------|-----|------|------------|
| P/N | T267P00TH0 | CHECKED | David | UNIT | mm | DATE | 2010/10/12 |
| DRAWN | Michael | APPROVED | Lily | SCALE | 1:1 | REV | A |

A

B

C

D

E

F

☆☆☆ 267 Series ☆☆☆

P/N: W267H**TH0

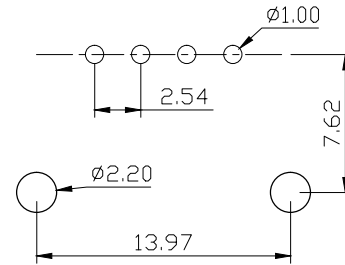
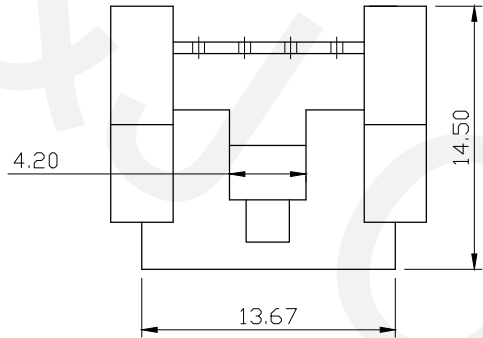
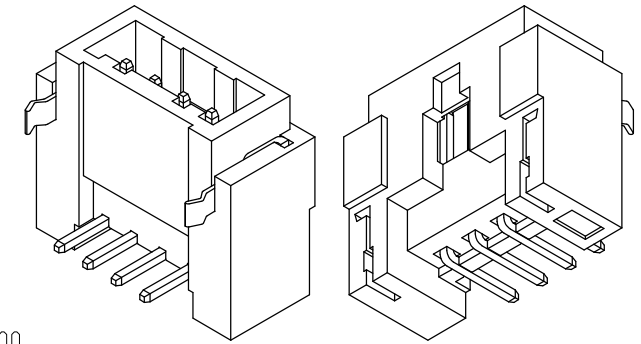
Material: Glass-Filled Polyamide, UL 94V-0, Black

Conductor-Contact: Brass, 100u" Tin-Plated over 50u" Cu-Plated

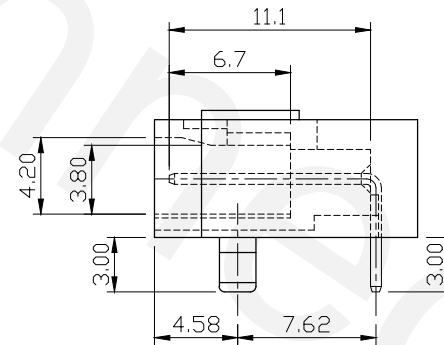
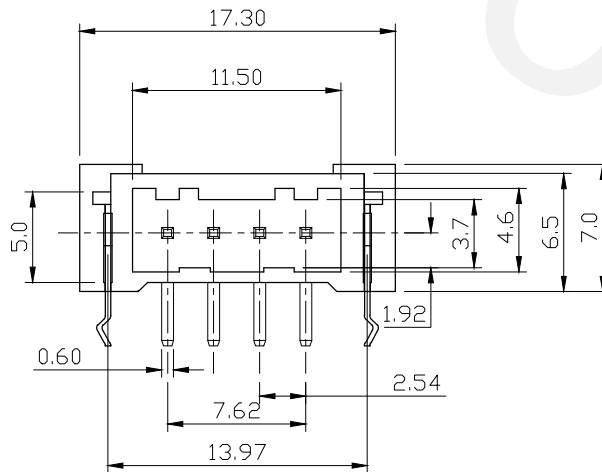
Conductor-Hook: Phosphor Bronze, 100u" Tin-Plated over 50u" Nickel Plated

Available: *P

Mate with H267



RECOMMENDED P.C. BOARD HOLE DIMM.



| Circuitis | Dim. A | Dim. B |
|-----------|--------|--------|
| 2 | 2.50 | 6.50 |
| 3 | 5.00 | 9.00 |
| 4 | 7.50 | 11.50 |
| 5 | 10.00 | 14.00 |
| 6 | 12.50 | 16.50 |
| 7 | 15.00 | 19.00 |
| 8 | 17.50 | 21.50 |
| 9 | 20.00 | 24.00 |
| 10 | 22.50 | 26.50 |
| 11 | 25.00 | 29.00 |
| 12 | 27.50 | 31.50 |
| 13 | 30.00 | 34.00 |
| 14 | 32.50 | 36.50 |
| 15 | 35.00 | 39.00 |
| 16 | 37.50 | 41.50 |

RoHS Compliant



TITLE
 .100"(2.54mm) Wire to Board Horizontal Wafer with Hook

DIMENSION TOLERANCE
 .x ±0.30 x° ±2°
 .xx ±0.20
 .xxx ±0.10

TEL: 886-2-86871898 FAX: 886-2-86872959
 Mail: tceldh@gmail.com Web: http://www.cnj.tw/

| | | | | | | | |
|-------|------------|----------|-------|-------|-----|------|------------|
| P/N | W267H**TH0 | CHECKED | David | UNIT | mm | DATE | 2010/08/30 |
| DRAWN | Michael | APPROVED | Lily | SCALE | 1:1 | REV | A |