

☆☆☆ 300 Series ☆☆☆

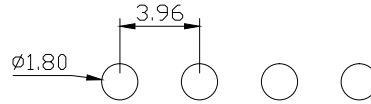
P/N: W300V**T00

Material: Nylon 6/6, UL 94V-2, Natural

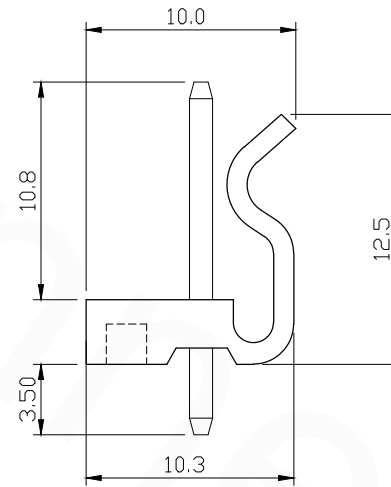
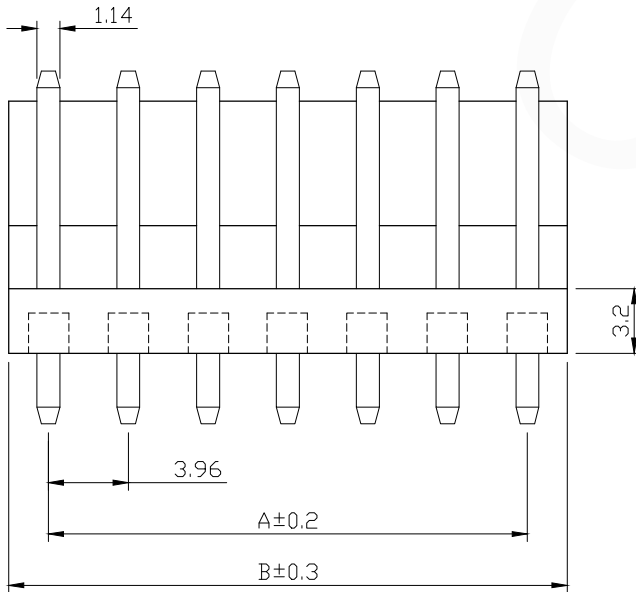
Conductor: SQ1.14*17.5mm, Brass, Tin-Plated

Available: 2~15P

Mate with H300



RECOMMENDED P.C.BOARD HOLE DIMM.



REVISIONS			
REV	DESCRIPTION	DATE	DRAWN
A			

Circuitis	Dim. A	Dim. B
2	3.96	7.92
3	7.92	11.88
4	11.88	15.84
5	15.84	19.80
6	19.80	23.76
7	23.76	27.72
8	27.72	31.68
9	31.68	35.64
10	35.64	39.60
11	39.60	43.56
12	43.56	47.52
13	47.52	51.48
14	51.48	55.44
15	55.44	59.40

RoHS Compliant



TEL: 886-2-86871898 FAX: 886-2-86872959
 Mail: tceldh@gmail.com Web: http://www.cnj.tw/

TITLE		.156"(3.96mm) Wire to Board Vertical Wafer						DIMENSION TOLERANCE	
								.x ±0.10 .xx ±0.05 .xxx ±0.02	
P/N	W300V**T00	CHECKED	David	UNIT	mm	DATE	2010/08/31		
DRAWN	Michael	APPROVED	Lily	SCALE	1:1	REV	A		

A

B

C

D

E

F

☆☆☆ 300 Series ☆☆☆

P/N: W300V**T*0

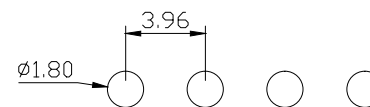
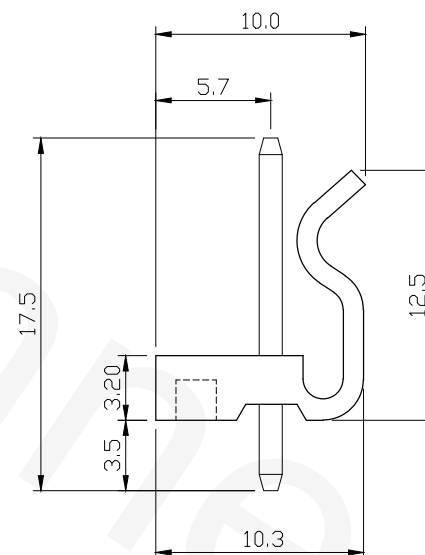
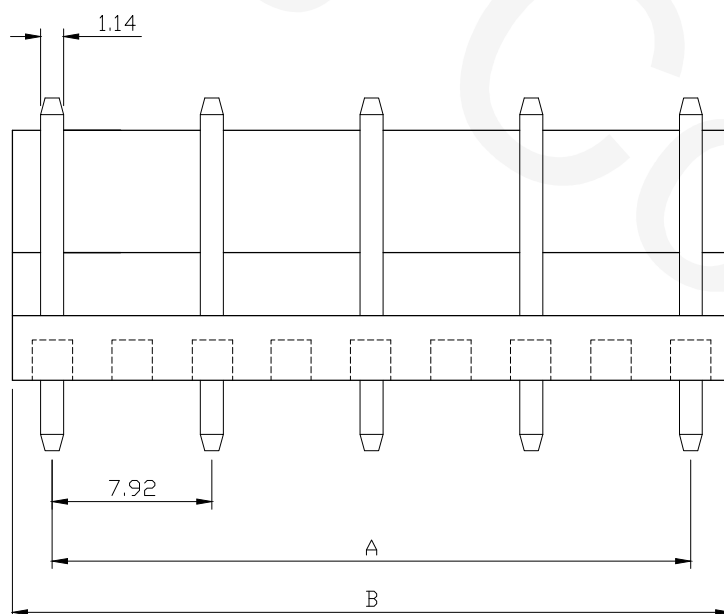
Material: Nylon 6/6, UL 94V-2, Natural

Conductor: SQ1.14*17.5mm, Brass, Tin-Plated

Available: 3~9P

Mate with H300

REVISIONS			
REV	DESCRIPTION	DATE	DRAWN
A			

RECOMMENDED P.C.BOARD HOLE DIMM.

Circuitis	Dim. A	Dim. B
3	7.92	11.88
5	15.84	19.80
7	23.76	27.72
9	31.68	35.64

RoHS Compliant

TEL: 886-2-86871898 FAX: 886-2-86872959
 Mail: tceldh@gmail.com Web: http://www.cnj.tw/

TITLE

.118"(3.0mm) Wire to Board Vertical Wafer

DIMENSION TOLERANCE

.x ±0.30 x° ±2°
 .xx ±0.20
 .xxx ±0.10

P/N	W300V**T*0	CHECKED	David	UNIT	mm	DATE	2010/11/12
DRAWN	Michael	APPROVED	Lily	SCALE	1:1	REV	A

A

B

C

D

E

F

☆☆☆ 300 Series ☆☆☆

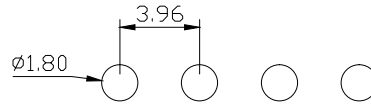
P/N: W300H**T00

Material: Nylon 6/6, UL 94V-2, Natural

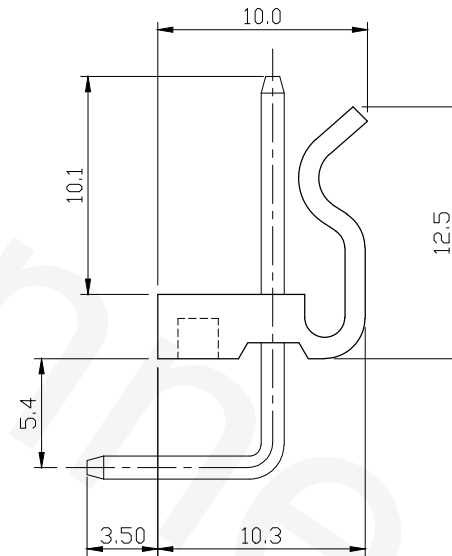
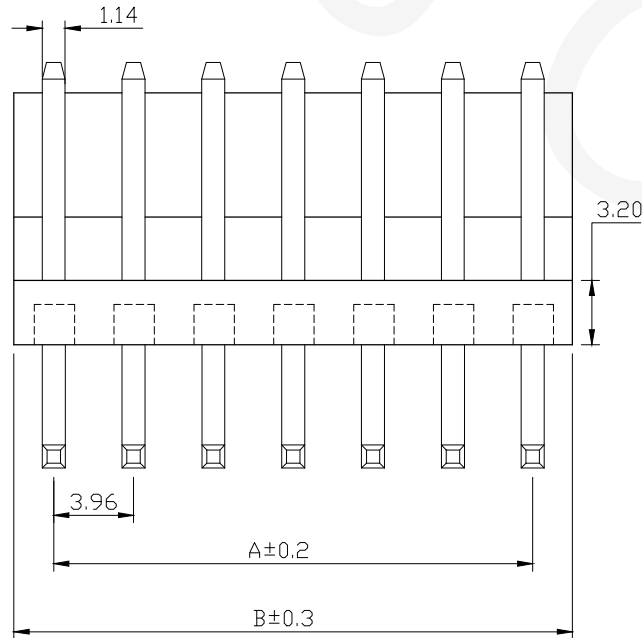
Conductor: SQ1.14*27mm, Brass, Tin-Plated

Available: 2~15P

Mate with H300



RECOMMENDED P.C.BOARD HOLE DIMM.



REVISIONS			
REV	DESCRIPTION	DATE	DRAWN
A			

Circuitis	Dim. A	Dim. B
2	3.96	7.92
3	7.92	11.88
4	11.88	15.84
5	15.84	19.80
6	19.80	23.76
7	23.76	27.72
8	27.72	31.68
9	31.68	35.64
10	35.64	39.60
11	39.60	43.56
12	43.56	47.52
13	47.52	51.48
14	51.48	55.44
15	55.44	59.40

RoHS Compliant



TEL: 886-2-86871898 FAX: 886-2-86872959
Mail: tceldh@gmail.com Web: http://www.cnj.tw/

TITLE

.155"(3.96mm) Wire to Board Horizontal Wafer

DIMENSION TOLERANCE

.x ±0.30 x° ±2°
.xx ±0.20
.xxx ±0.10

P/N	W300H**T00	CHECKED	David	UNIT	mm	DATE	2010/08/31
DRAWN	Michael	APPROVED	Lily	SCALE	1:1	REV	A

☆☆☆ 300 Series ☆☆☆

P/N: W300H**T00

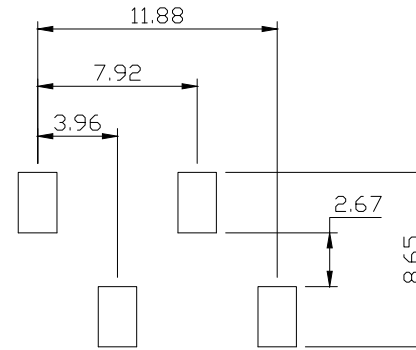
Material: High Temperature Thermoplastic 9T,
UL 94V-0, Natural

Conductor: SQ1.14, Brass, Tin-Plated

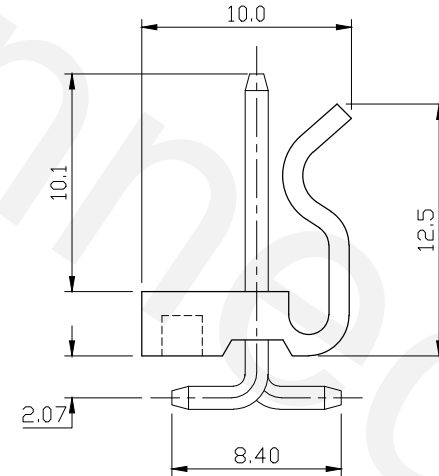
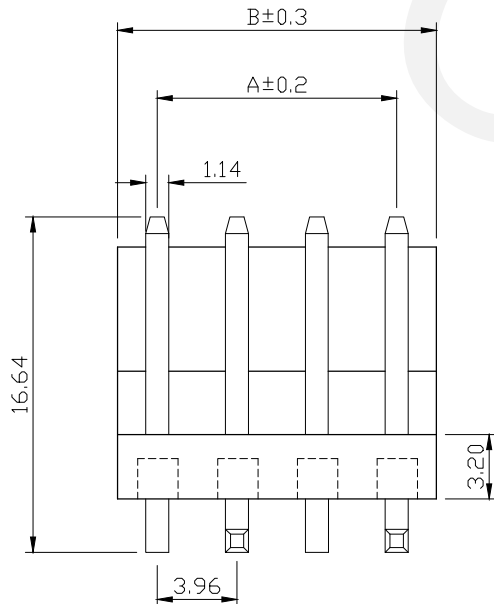
Available: 2~4P

Mate with H300

REVISIONS			
REV	DESCRIPTION	DATE	DRAWN
A			



RECOMMENDED P.C.BOARD HOLE DIMM.



Circuitis	Dim. A	Dim. B
2	3.96	7.92
3	7.92	11.88
4	11.88	15.84

RoHS Compliant



TEL: 886-2-86871898 FAX: 886-2-86872959
Mail: tceldh@gmail.com Web: http://www.cnj.tw/

TITLE

.156"(3.96mm) Wire to Board SMT Wafer

DIMENSION TOLERANCE

.x ±0.30 x° ±2°
.xx ±0.20
.xxx ±0.10

P/N	W300H**T0S-9T	CHECKED	David	UNIT	mm	DATE	2013/05/17
DRAWN	Michael	APPROVED	Lily	SCALE	1:1	REV	A

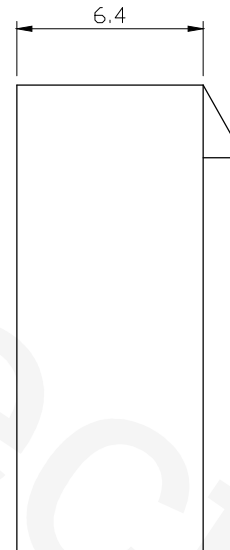
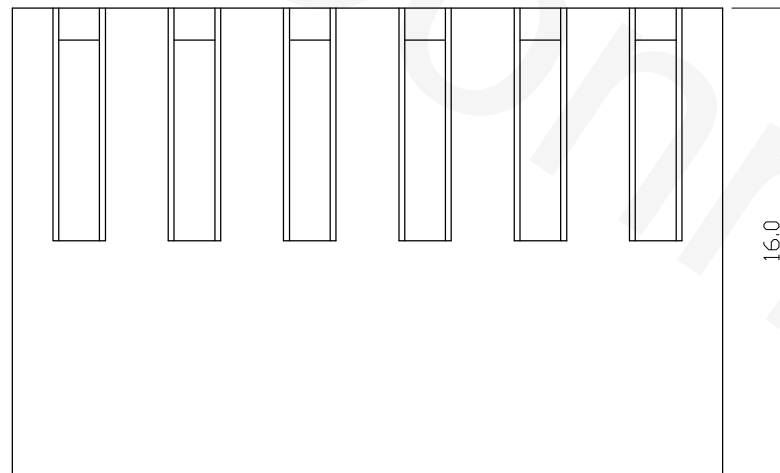
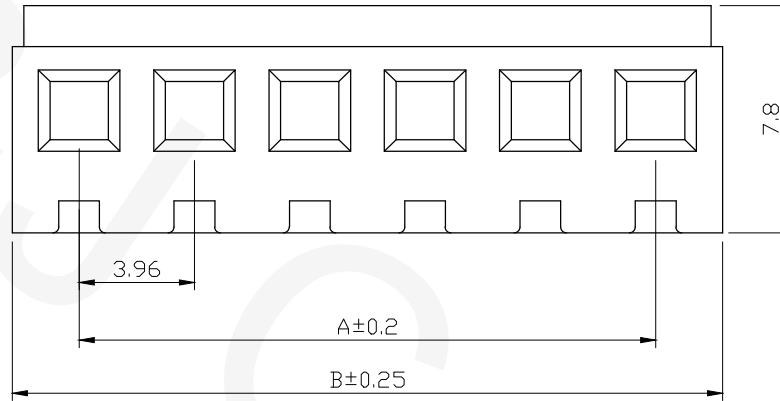
☆☆☆ 300 Series ☆☆☆

P/N: H300S**000

Material: Nylon 6/6, UL 94V-2, Natural

Available: 2~20P

Mate with W300



REVISIONS			
REV	DESCRIPTION	DATE	DRAWN
A			

Circuitis	Dim. A	Dim. B
2	3.96	8.50
3	7.92	12.46
4	1.88	16.42
5	15.84	20.38
6	19.80	24.34
7	23.76	28.30
8	27.72	32.26
9	31.68	36.22
10	35.64	40.18
11	39.60	44.14
12	43.56	48.10
13	47.52	52.06
14	51.48	56.02
15	55.44	59.98
16	59.40	63.94
17	63.36	67.90
18	67.32	71.86
19	71.28	75.82
20	75.24	79.78

RoHS Compliant



TEL: 886-2-86871898 FAX: 886-2-86872959
 Mail: tceldh@gmail.com Web: http://www.cnj.tw/

TITLE

.156"(3.96mm) Wire to Board Housing

DIMENSION TOLERANCE

.x ±0.30 x° ±2°
 .xx ±0.20
 .xxx ±0.10

P/N	H300S**000	CHECKED	David	UNIT	mm	DATE	2010/08/13
DRAWN	Michael	APPROVED	Lily	SCALE	1:1	REV	A

☆☆☆ 300 Series ☆☆☆

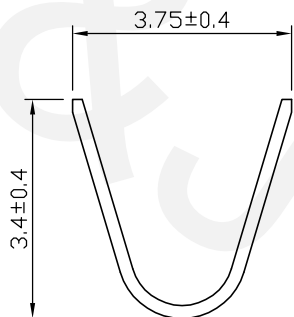
P/N: T300B00T00

Conductor: Phosphor Bronze/ Tin-Plated

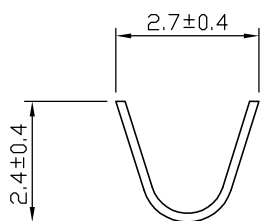
Thickness: 0.25mm

Wire Range: #18~22 AWG

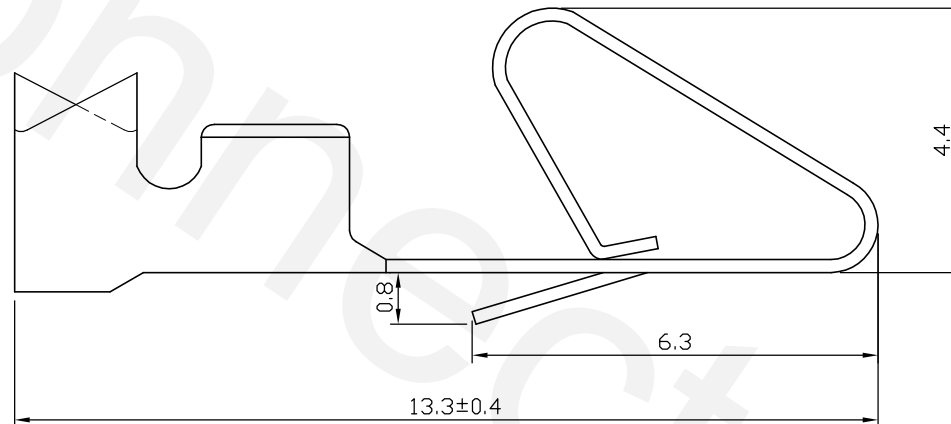
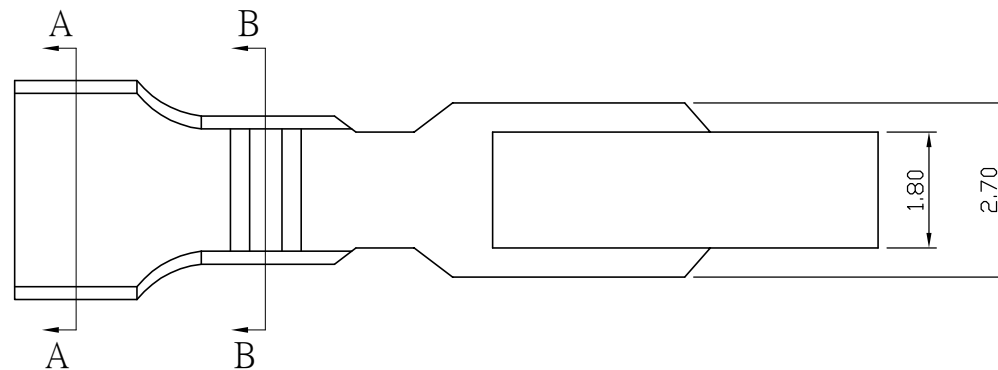
REVISIONS			
REV	DESCRIPTION	DATE	DRAWN
A			



Section A-A



Section B-B



RoHS Compliant



TEL: 886-2-86871898 FAX: 886-2-86872959
 Mail: tceldh@gmail.com Web: http://www.cnj.tw/

TITLE

.155"(3.96mm) Crimp Terminal

DIMENSION TOLERANCE

.x ±0.30 x° ±2°
 .xx ±0.20
 .xxx ±0.10

P/N	T300B00T00	CHECKED	David	UNIT	mm	DATE	2010/08/05
DRAWN	Michael	APPROVED	Lily	SCALE	1:1	REV	A