

☆☆☆ 301 Series ☆☆☆

P/N: W301V**T00

Material: Nylon 6/6, UL 94V-2, Natural

Conductor: SQ1.14*17.5mm, Brass, Tin-Plated

Available: 2~20P

Mate with H301

Current Rating: 5A AC/DC

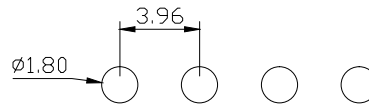
Voltage Rating: 250V AC/DC

Contact Resistance: 10mΩ Max.

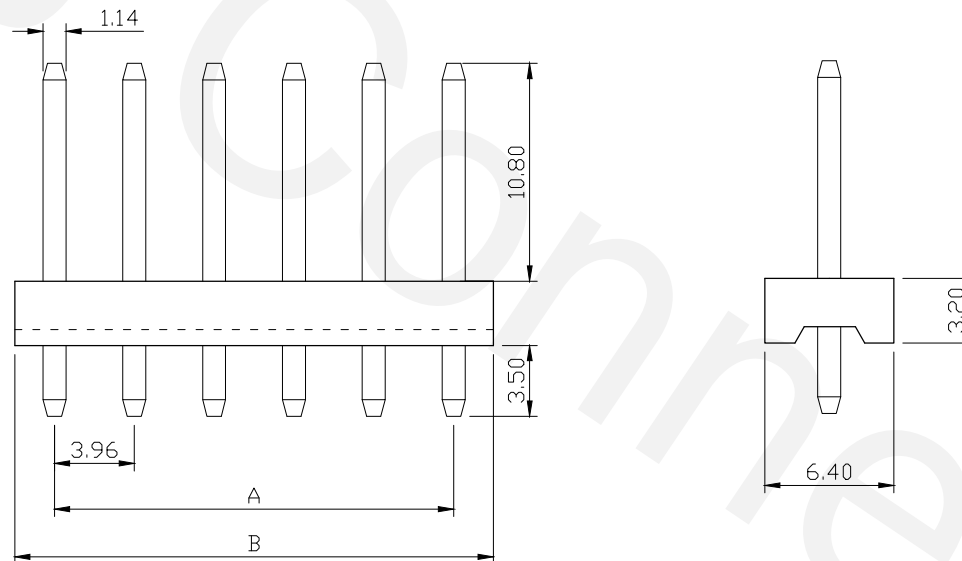
Insulator Resistance: 1000MΩ Min.

Dielectric Withstanding: 1500V AC/minute

Operating Temperature: -25°C ~ 85°C



RECOMMENDED P.C.BOARD HOLE DIMM.



REVISIONS			
REV	DESCRIPTION	DATE	DRAWN
A			

Circuitis	Dim. A	Dim. B
2	3.96	7.92
3	7.92	11.88
4	11.88	15.84
5	15.84	19.80
6	19.80	23.76
7	23.76	27.72
8	27.72	31.68
9	31.68	35.64
10	35.64	39.60
11	39.60	43.56
12	43.56	47.52
13	47.52	51.48
14	51.48	55.44
15	55.44	59.40
16	59.40	63.36
17	63.36	67.32
18	67.32	71.28
19	71.28	75.24
20	75.24	79.20

RoHS Compliant



TEL: 886-2-86871898 FAX: 886-2-86872959
 Mail: tceldh@gmail.com Web: http://www.cnj.tw/

TITLE

.155"(3.96mm) Wire to Board Vertical Wafer

DIMENSION TOLERANCE

.x ±0.30 x° ±2°
 .xx ±0.20
 .xxx ±0.10

P/N	W301V**T00	CHECKED	David	UNIT	mm	DATE	2010/08/31
DRAWN	Michael	APPROVED	Lily	SCALE	1:1	REV	A

☆☆☆ 301 Series ☆☆☆

P/N: W301H**T00

Material: Nylon 6/6, UL 94V-2, Natural

Conductor: SQ1.14*17.5mm, Brass, Tin-Plated

Available: 2~20P

Mate with H301

Current Rating: 5A AC/DC

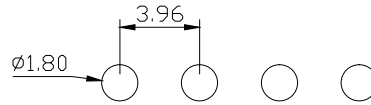
Voltage Rating: 250V AC/DC

Contact Resistance: 10mΩ Max.

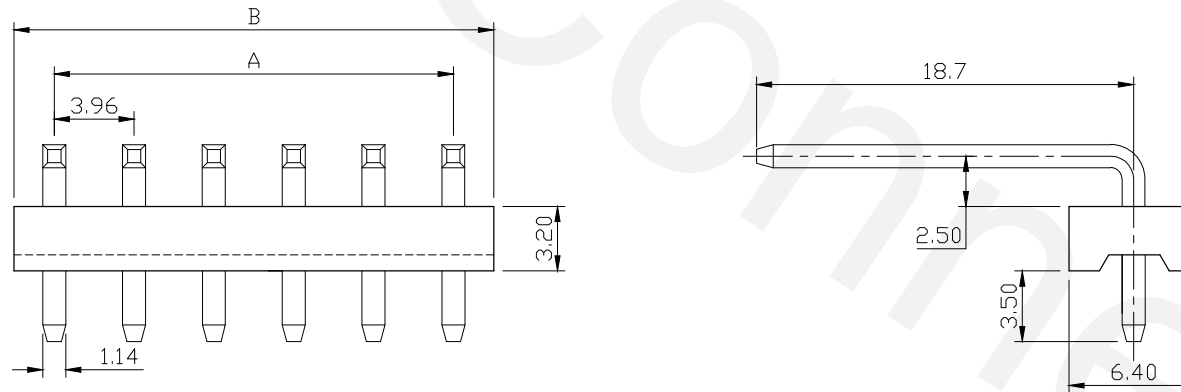
Insulator Resistance: 1000MΩ Min.

Dielectric Withstanding: 1500V AC/minute

Operating Temperature: -25°C ~ 85°C



RECOMMENDED P.C.BOARD HOLE DIMM.



REVISIONS			
REV	DESCRIPTION	DATE	DRAWN
A			

Circuitis	Dim. A	Dim. B
2	3.96	7.92
3	7.92	11.88
4	11.88	15.84
5	15.84	19.80
6	19.80	23.76
7	23.76	27.72
8	27.72	31.68
9	31.68	35.64
10	35.64	39.60
11	39.60	43.56
12	43.56	47.52
13	47.52	51.48
14	51.48	55.44
15	55.44	59.40
16	59.40	63.36
17	63.36	67.32
18	67.32	71.28
19	71.28	75.24
20	75.24	79.20

RoHS Compliant



TEL: 886-2-86871898 FAX: 886-2-86872959
 Mail: tceldh@gmail.com Web: http://www.cnj.tw/

TITLE

.155"(3.96mm) Wire to Board Horizontal Wafer

DIMENSION TOLERANCE

.x ±0.30 x° ±2°
 .xx ±0.20
 .xxx ±0.10

P/N	W301H**T00	CHECKED	David	UNIT	mm	DATE	2010/08/31
DRAWN	Michael	APPROVED	Lily	SCALE	1:1	REV	A