

☆☆☆ 305 Series ☆☆☆

P/N: H305N**000

Material: Nylon 6/6, UL 94V-2, Natural

Available: 2~12P

Mate with W305

Current Rating: 5A AC/DC

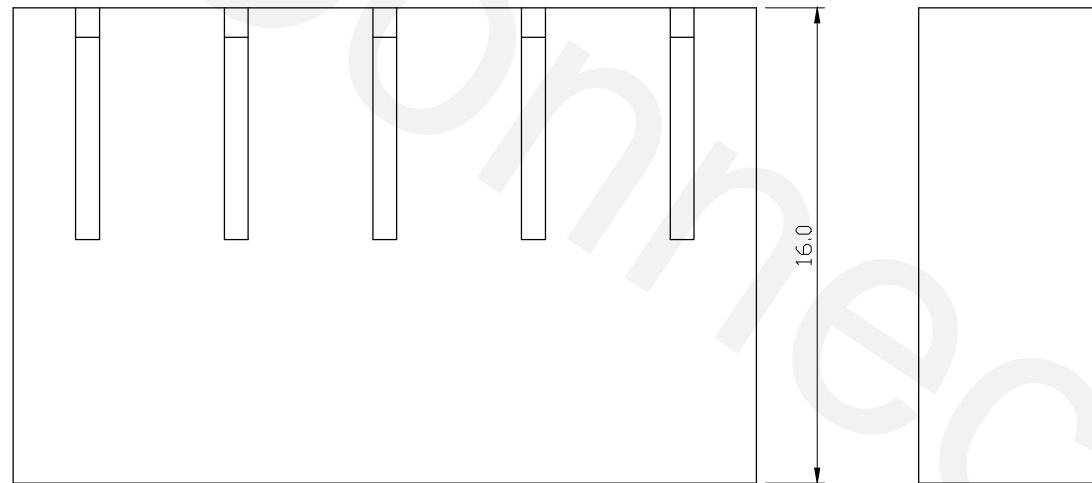
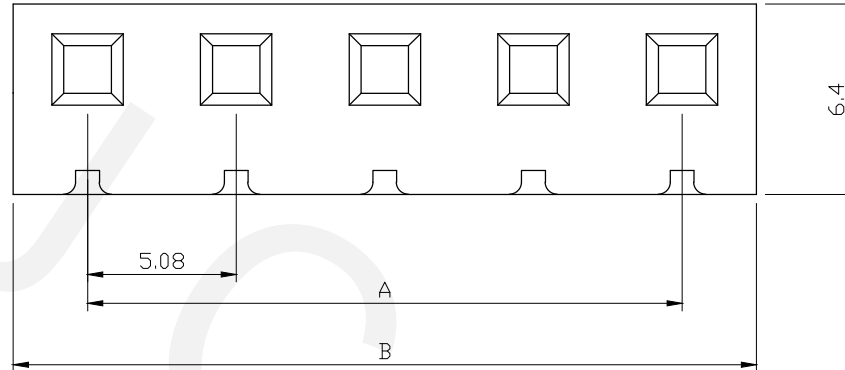
Voltage Rating: 250V AC/DC

Contact Resistance: 10mΩ Max.

Insulator Resistance: 1000MΩ Min.

Dielectric Withstanding: 1500V AC/minute

Operating Temperature: -25°C ~ 85°C



REVISIONS			
REV	DESCRIPTION	DATE	DRAWN
A			

Circuitis	Dim. A	Dim. B
2	5.08	10.16
3	10.16	15.24
4	15.24	20.32
5	20.32	25.40
6	25.40	30.48
7	30.48	35.56
8	35.56	40.64
9	40.64	45.72
10	45.72	50.80
11	50.80	55.88
12	55.88	60.96

RoHS Compliant



TEL: 886-2-86871898 FAX: 886-2-86872959
 Mail: tceldh@gmail.com Web: http://www.cnj.tw/

TITLE
 .200"(5.08mm) Wire to Board Housing

DIMENSION TOLERANCE
 .x ±0.30 x° ±2°
 .xx ±0.20
 .xxx ±0.10

P/N	H305N**000	CHECKED	David	UNIT	mm	DATE	2010/08/13
DRAWN	Michael	APPROVED	Lily	SCALE	1:1	REV	A

☆☆☆ **305 Series** ☆☆☆

P/N: H305S**000

Material: Nylon 6/6, UL 94V-2, Natural

Available: 2~12P

Mate with W305

Current Rating: 5A AC/DC

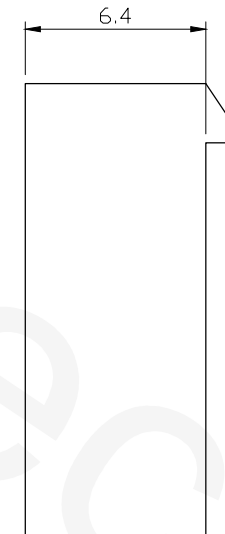
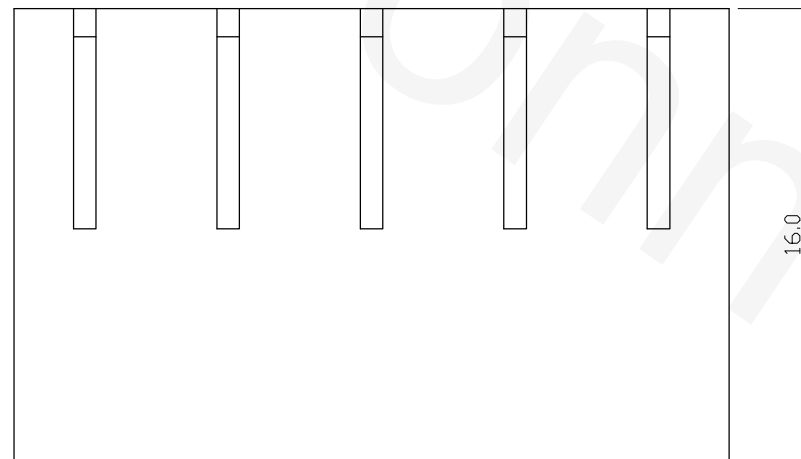
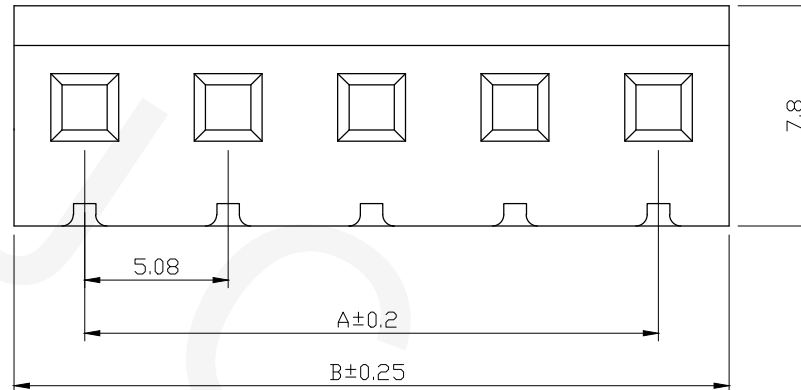
Voltage Rating: 250V AC/DC

Insulation Resistance: 1000MΩ Min.

Contact Resistance: 10mΩ Max.

Withstanding Voltage: 1500V AC/minute

Temperature Range: -25°C~85°C



REVISIONS			
REV	DESCRIPTION	DATE	DRAWN
A			

Circuitis	Dim. A	Dim. B
2	5.08	10.16
3	10.16	15.24
4	15.24	20.32
5	20.32	25.40
6	25.40	30.48
7	30.48	35.56
8	35.56	40.64
9	40.64	45.72
10	45.72	50.80
11	50.80	55.88
12	55.88	60.96

RoHS Compliant



TEL: 886-2-86871898 FAX: 886-2-86872959
 Mail: tceldh@gmail.com Web: http://www.cnj.tw/

TITLE

.200"(5.08mm) Pitch Wire to Board Housing

DIMENSION TOLERANCE

.x ±0.30 x° ±2°
 .xx ±0.20
 .xxx ±0.10

P/N	H305S**000	CHECKED	David	UNIT	mm	DATE	2010/08/13
DRAWN	Michael	APPROVED	Lily	SCALE	1:1	REV	A

☆☆☆ 305 Series ☆☆☆

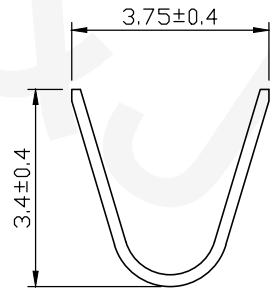
P/N: T305B00T00

Conductor: Phosphor Bronze/ Tin-Plated

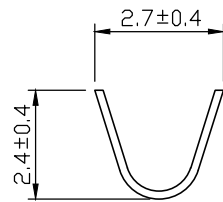
Thickness: 0.25mm

Wire Range: #18~22 AWG

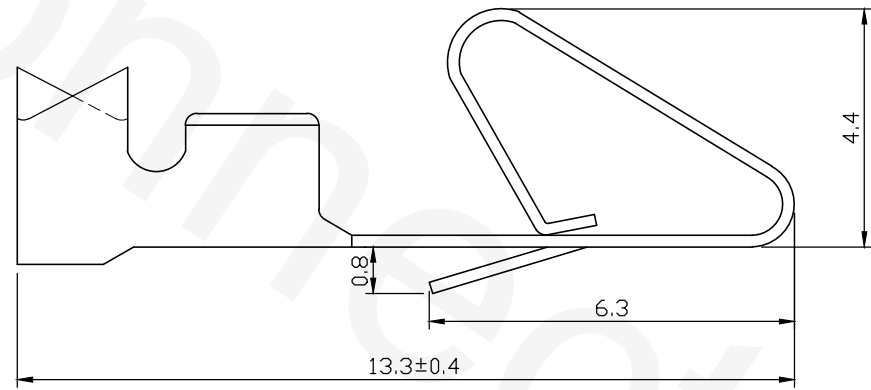
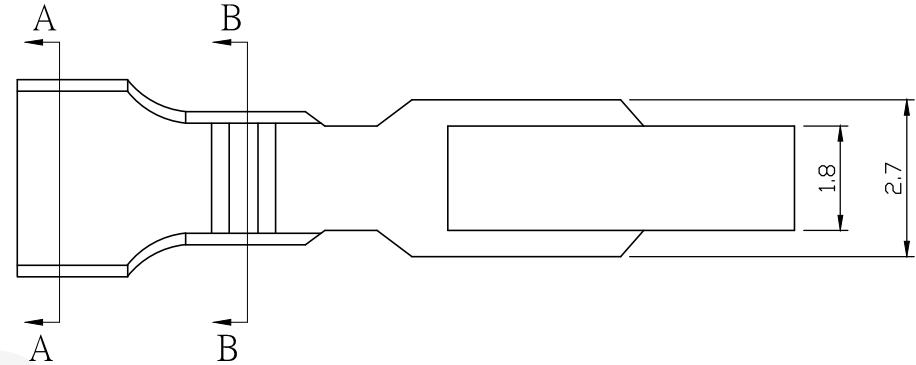
REVISIONS			
REV	DESCRIPTION	DATE	DRAWN
A			



Section A-A



Section B-B



RoHS Compliant



TEL: 886-2-86871898 FAX: 886-2-86872959
 Mail: tceldh@gmail.com Web: http://www.cnj.tw/

TITLE

.200"(5.08mm) Crimp Terminal

DIMENSION TOLERANCE

.x ±0.30 x° ±2°
 .xx ±0.20
 .xxx ±0.10

P/N	T305B00T00	CHECKED	David	UNIT	mm	DATE	2010/08/05
DRAWN	Michael	APPROVED	Lily	SCALE	1:1	REV	A

☆☆☆ 305 Series ☆☆☆

P/N: W305H**T00

Material: Nylon 6/6, UL 94V-2, Natural

Conductor: Brass, Tin-Plated

Available: 2~10P

Mate with H305

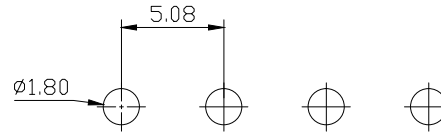
Current Rating: 5A AC/DC

Voltage Rating: 250V AC/DC

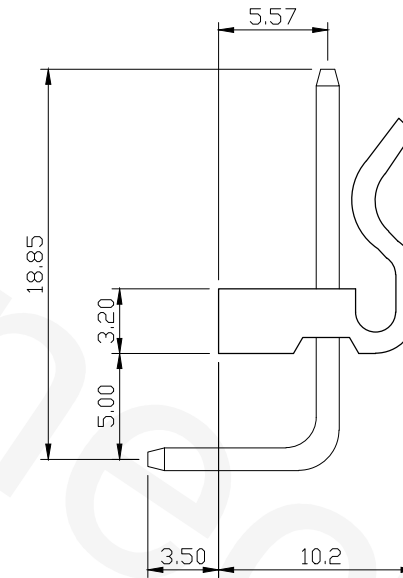
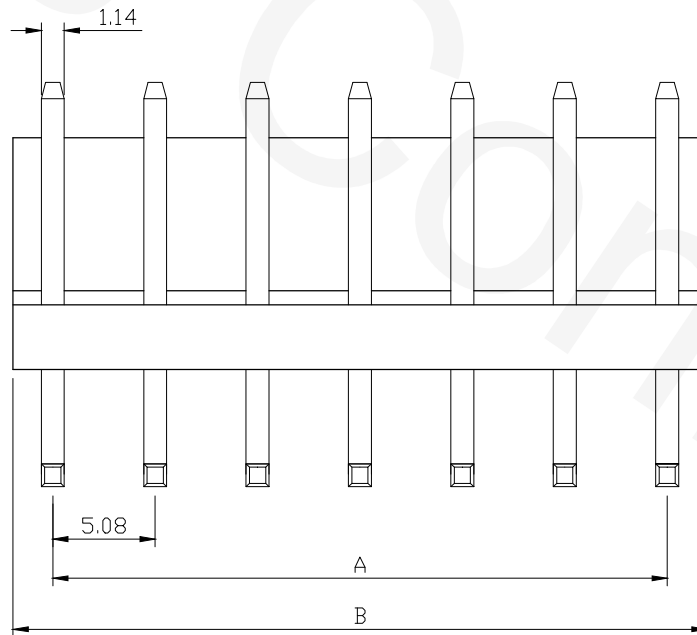
Contact Resistance: 10mΩ MAX.

Withstand Voltage: 1500V AC/Minute

Insulation Resistance: 1000MΩ Min.



RECOMMENDED P.C.BOARD HOLE DIMM.



Circuitis	Dim. A	Dim. B
2	5.08	10.22
3	10.16	15.30
4	15.24	20.38
5	20.32	25.46
6	25.40	30.54
7	30.48	35.62
8	35.56	40.70
9	40.64	45.78
10	45.72	50.86

RoHS Compliant



TEL: 886-2-86871898 FAX: 886-2-86872959
Mail: tceldh@gmail.com Web: <http://www.cnj.tw/>

TITLE

.200"(5.08mm) Wire to Board Horizontal Wafer

DIMENSION TOLERANCE

.x ±0.30 x° ±2°
.xx ±0.20
.xxx ±0.10

P/N	W305H**T00	CHECKED	David	UNIT	mm	DATE	2010/08/31
DRAWN	Michael	APPROVED	Lily	SCALE	1:1	REV	A

REVISIONS			
REV	DESCRIPTION	DATE	DRAWN
A			

☆☆☆ 305 Series ☆☆☆

P/N: W305V**T00

Material: Nylon 6/6, UL 94V-2, Natural

Conductor: Brass, Tin-Plated

Available: 2~12P

Mate with H305

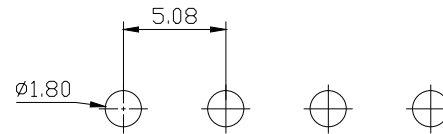
Current Rating: 5A AC/DC

Voltage Rating: 250V AC/DC

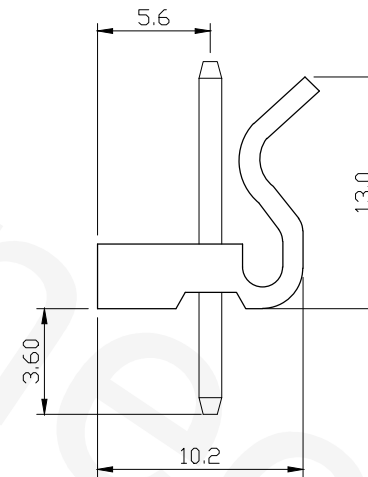
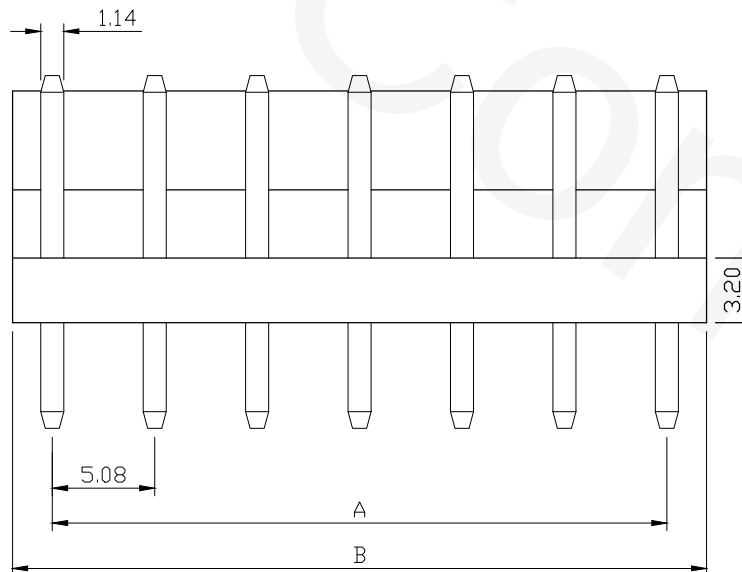
Contact Resistance: 10mΩ MAX.

Withstand Voltage: 1500V AC/Minute

Insulation Resistance: 1000MΩ Min.



RECOMMENDED P.C.BOARD HOLE DIMM.



REVISIONS

REV	DESCRIPTION	DATE	DRAWN
A			

Circuitis	Dim. A	Dim. B
2	5.08	10.16
3	10.16	15.24
4	15.24	20.32
5	20.32	25.40
6	25.40	30.48
7	30.48	35.56
8	35.56	40.64
9	40.64	45.72
10	45.72	50.80
11	50.80	55.88
12	55.88	60.96

RoHS Compliant



TEL: 886-2-86871898 FAX: 886-2-86872959
Mail: tceldh@gmail.com Web: http://www.cnj.tw/

TITLE

.200"(5.08mm) Wire to Board Vertical Wafer

DIMENSION TOLERANCE

.x ±0.30 x° ±2°
.xx ±0.20
.xxx ±0.10

P/N	W305V**T00	CHECKED	David	UNIT	mm	DATE	2010/08/31
DRAWN	Michael	APPROVED	Lily	SCALE	1:1	REV	A