

☆☆☆ 308 Series ☆☆☆

P/N: W308H**T00

Available: 2~16pins

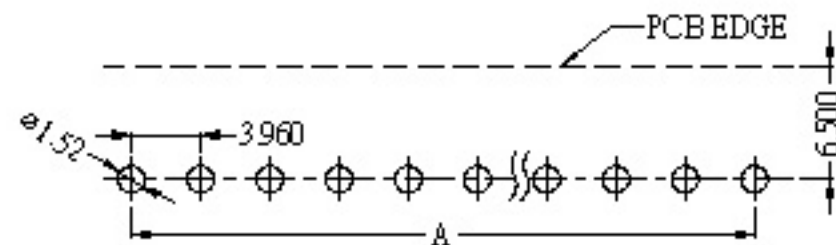
Insulator: Nylon UL 94V-2

Conductor: Brass/Tin plated

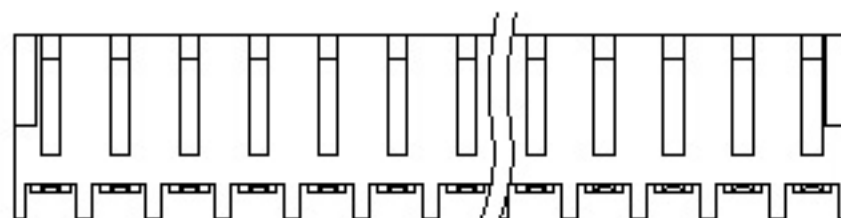
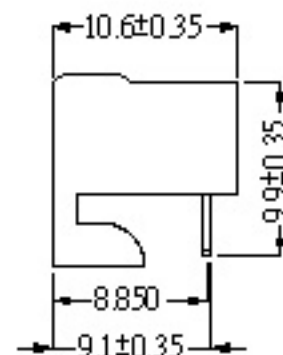
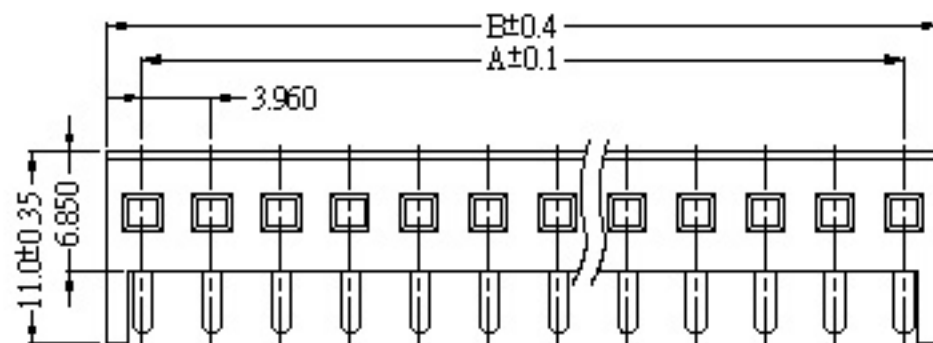
RoHS Compliant

REVISIONS

REV	ECN	DESCRIPTION	DATE	DRAWN	APPROVED
B					
C					



P.C.B LAYOUT



CIRCUITS	PART NO.	Dim A	Dim B
02	W308H02T00	3.96	8.06
03	W308H03T00	7.92	12.02
04	W308H04T00	11.88	15.98
05	W308H05T00	15.84	19.94
06	W308H06T00	19.80	23.90
07	W308H07T00	23.76	27.86
08	W308H08T00	27.72	31.82
09	W308H09T00	31.68	35.78
10	W308H10T00	35.64	39.74
11	W308H11T00	39.60	43.70
12	W308H12T00	43.56	47.66
13	W308H13T00	47.52	51.62
14	W308H14T00	51.48	55.58
15	W308H15T00	55.44	59.54
16	W308H16T00	59.40	63.50

TCO 上廣電子(惠州)有限公司
Top conn electrical (HuiZhou) co.,ltd

NORMAL DIMENSION TOLERANCE
X ± 0.30 X' ± 2
XX ± 0.20
XXX ± 0.10

UNITS mm
SCALE 1:1
MATERIAL
HEAT TREATMENT
QUANTITY

THIRD ANGLE PROJECTION

SHEET 1 OF 1

TITLE
DWG NO. W308H**T00
DRAWN Xie 2007.12.22
CHECKED
APPROVED

Wafer

☆☆☆ 308 Series ☆☆☆

P/N: W308R**T00

Available: 2~16pins

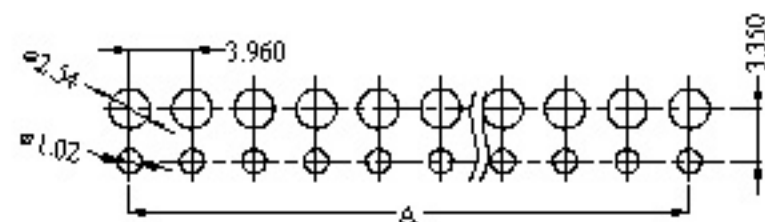
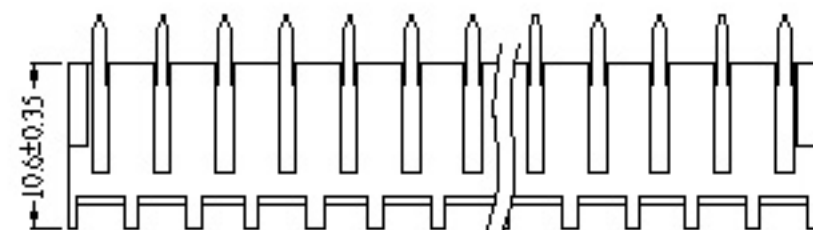
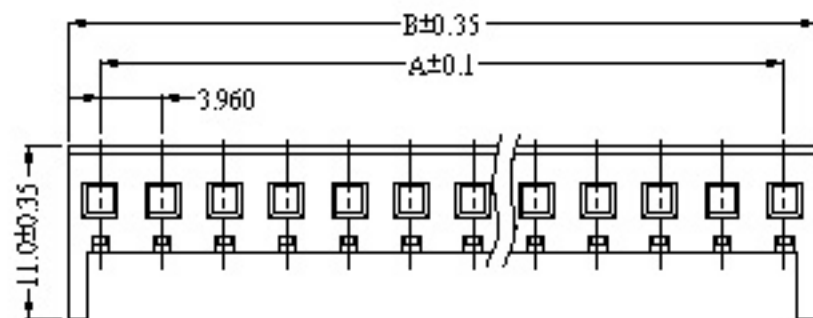
Insulator: Nylon UL 94V-2

Conductor: Brass/Tin plated

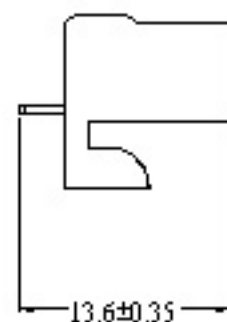
RoHS Compliant

REVISIONS

REV	ECN	DESCRIPTION	DATE	DR&WN	APPROVED
B					
C					



P.C.B LAYOUT



CIRCUITS	PART NO.	Dim A	Dim B
02	W308R02T00	3.96	8.06
03	W308R03T00	7.92	12.02
04	W308R04T00	11.88	15.98
05	W308R05T00	15.84	19.94
06	W308R06T00	19.80	23.90
07	W308R07T00	23.76	27.86
08	W308R08T00	27.72	31.82
09	W308R09T00	31.68	35.78
10	W308R10T00	35.64	39.74
11	W308R11T00	39.60	43.70
12	W308R12T00	43.56	47.66
13	W308R13T00	47.52	51.62
14	W308R14T00	51.48	55.58
15	W308R15T00	55.44	59.54
16	W308R16T00	59.40	63.50

 **TCES** 上廣電子(惠州)有限公司
Top conn electrical (HuiZhou) co.,ltd

NORMAL DIMENSION TOLERANCE

X ±0.30 X' ±2'
XX ±0.20
XXX ±0.10

UNITS mm
SCALE 1:1
MATERIAL
FINISHMENT
QUANTITY

THIRD ANGLE PROJECTION

SHEET 1 OF 1

TITLE
DWG NO W308R**T00
DRAWN Xue 2007.12.22
CHECKED
APPROVED

SIZE A4 REV A

☆☆☆ 308 Series ☆☆☆

P/N: W308V**T00

Available: 2~16pins

Insulator: Nylon UL 94V-2

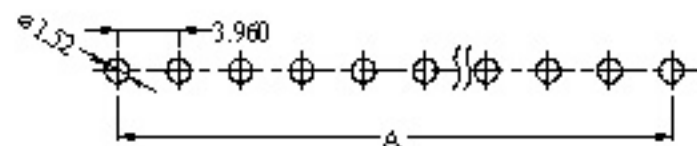
Conductor: Brass

Plated: Underplating Ni ,Solder Tail Tin plated

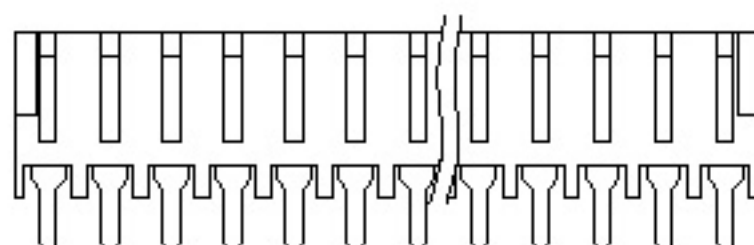
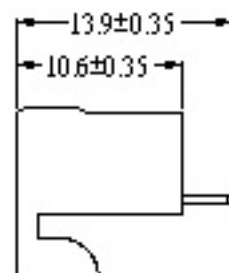
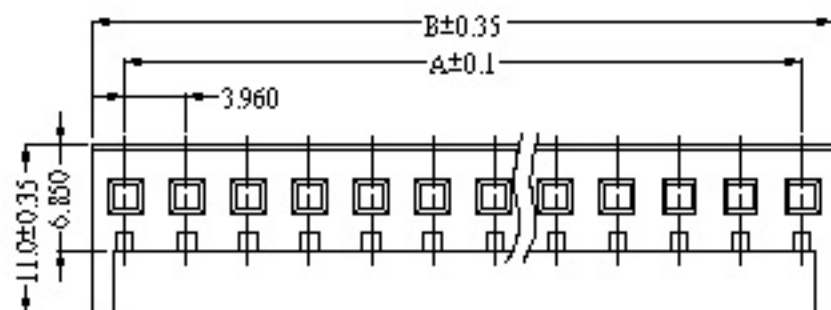
RoHS Compliant

REVISIONS

REV	BCN	DESCRIPTION	DATE	DRAWN	APPROVED
B					
C					



P.C.B LAYOUT



CIRCUITS	PART NO.	Dim A	Dim B
02	W308V02T00	3.96	8.06
03	W308V03T00	7.92	12.02
04	W308V04T00	11.88	15.98
05	W308V05T00	15.84	19.94
06	W308V06T00	19.80	23.90
07	W308V07T00	23.76	27.86
08	W308V08T00	27.72	31.82
09	W308V09T00	31.68	35.78
10	W308V10T00	35.64	39.74
11	W308V11T00	39.60	43.70
12	W308V12T00	43.56	47.66
13	W308V13T00	47.52	51.62
14	W308V14T00	51.48	55.58
15	W308V15T00	55.44	59.54
16	W308V16T00	59.40	63.50

TCB 上廣電子(惠州)有限公司
Top com electrical (Huizhou) co.,ltd

NORMAL DIMENSION TOLERANCE

X ±0.30 X' ±2
XX ±0.20
XXX ±0.10

UNITS mm

SCALE 1:1

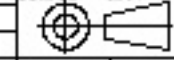
MATERIAL

HEATMENT

QUANTITY

THIRD ANGLE

PROJECTION



SHEET

TITLE

DWG NO.

DRAWN

CHECKED

APPROVED

DATE

W308V**T00

Xin 2007.12.22

SIZE A4

REV

A

1

OF 1