

☆☆☆ 510 Series ☆☆☆

P/N: H510F**000

Material: Nylon 6/6, UL 94V-0/2, Black

Available: 2~12P

Mate with H510M

Current Rating: 2.5A AC/DC

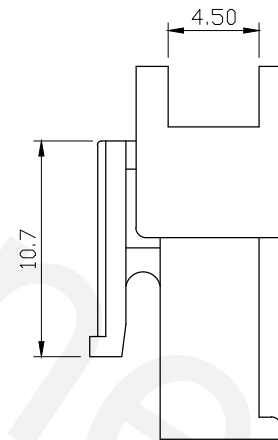
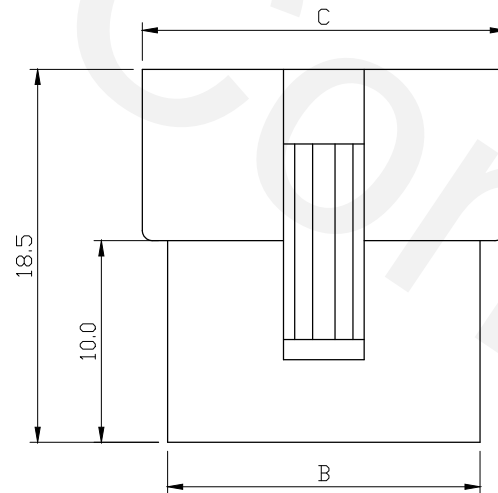
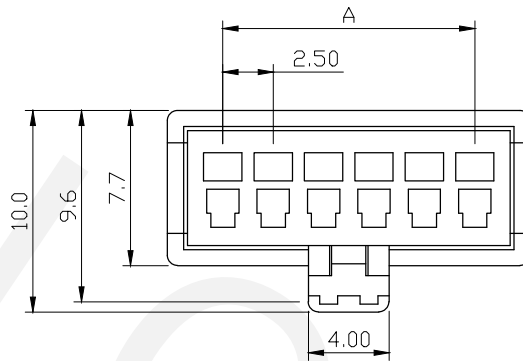
Voltage Rating: 250V AC/DC

Contact Resistance: 20mΩ Max.

Insulation Resistance: 1000MΩ Min.

Withstanding Voltage: 800V AC/minute

Operating Temperature Range: -25°C~85°C



REVISIONS			
REV	DESCRIPTION	DATE	DRAWN
A			

Circuitis	Dim. A	Dim. B	Dim. C
2	2.50	5.50	8.00
3	5.00	8.00	10.50
4	7.50	10.50	13.00
5	10.00	13.00	15.50
6	12.50	15.50	18.00
7	15.00	18.00	20.50
8	17.50	20.50	23.00
9	20.00	23.00	25.50
10	22.50	25.50	28.00
11	25.00	28.00	30.50
12	27.50	30.50	33.00

RoHS Compliant



TEL: 886-2-86871898 FAX: 886-2-86872959
 Mail: tceldh@gmail.com Web: http://www.cnj.tw/

TITLE

.098"(2.5mm) Wire to Wire Female Housing

DIMENSION TOLERANCE

.x ±0.30 x° ±2°
 .xx ±0.20
 .xxx ±0.10

P/N	H510F**000	CHECKED	David	UNIT	mm	DATE	2010/08/30
DRAWN	Michael	APPROVED	Lily	SCALE	1:1	REV	A

☆☆☆ 510 Series ☆☆☆

P/N: H510M**000

Material: Nylon 6/6, UL 94V-0/2, Black

Available: 2~12P

Mate with H510F

Current Rating: 2.5A AC/DC

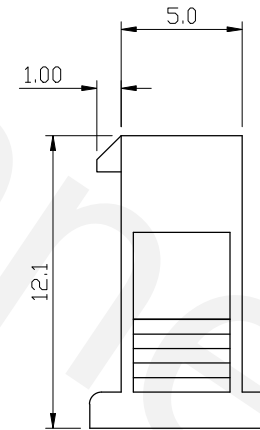
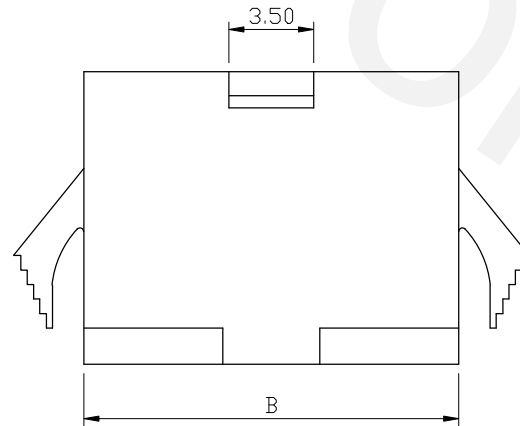
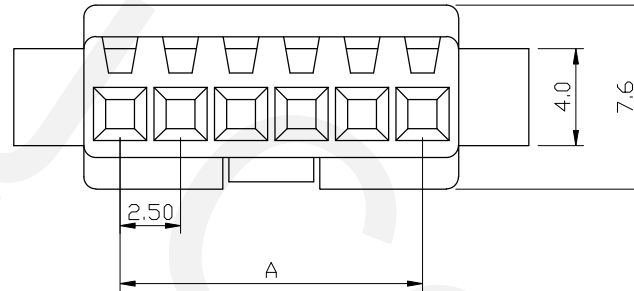
Voltage Rating: 250V AC/DC

Contact Resistance: 20mΩ Max.

Insulation Resistance: 1000MΩ Min.

Withstanding Voltage: 800V AC/minute

Operating Temperature Range: -25°C~85°C



REVISIONS			
REV	DESCRIPTION	DATE	DRAWN
A			

Circuitis	Dim. A	Dim. B
2	2.50	5.50
3	5.00	8.00
4	7.50	10.50
5	10.00	13.00
6	12.50	15.50
7	15.00	18.00
8	17.50	20.50
9	20.00	23.00
10	22.50	25.50
11	25.00	28.00
12	27.50	30.50

RoHS Compliant



TEL: 886-2-86871898 FAX: 886-2-86872959
 Mail: tceldh@gmail.com Web: http://www.cnj.tw/

TITLE

.098"(2.5mm) Wire to Wire Male Housing

DIMENSION TOLERANCE

.x ±0.30 x° ±2°
 .xx ±0.20
 .xxx ±0.10

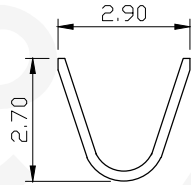
P/N	H510M**000	CHECKED	David	UNIT	mm	DATE	2010/08/30
DRAWN	Michael	APPROVED	Lily	SCALE	1:1	REV	A

☆☆☆ 510 Series ☆☆☆

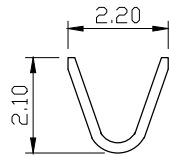
P/N: T510BF0T00

Conductor: Brass, Tin-Plated

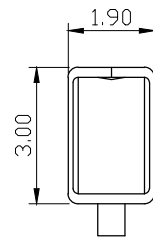
Thickness: 0.25mm



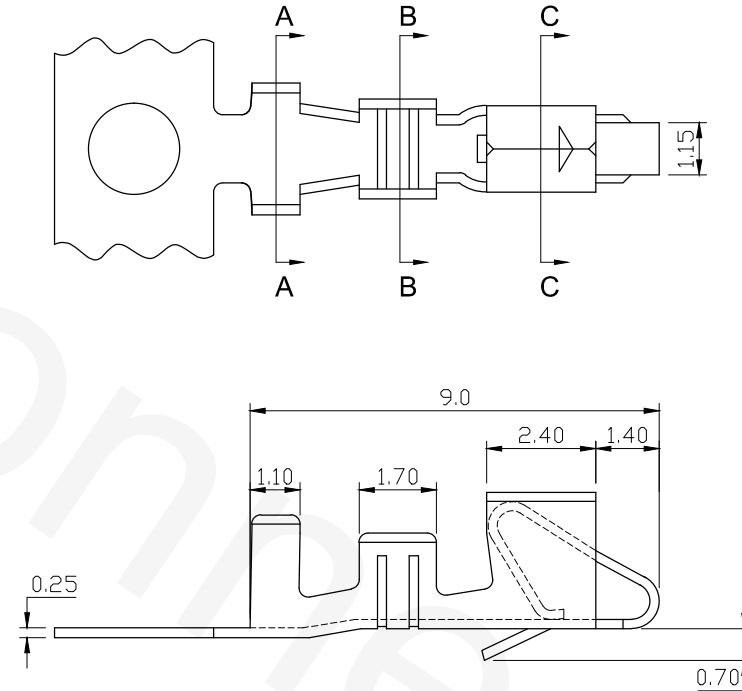
Section A-A



Section B-B



Section C-C



REVISIONS			
REV	DESCRIPTION	DATE	DRAWN
A			

RoHS Compliant



TEL: 886-2-86871898 FAX: 886-2-86872959
Mail: tceldh@gmail.com Web: http://www.cnj.tw/

TITLE

.098"(2.5mm) Wire to Wire Crimp Terminal

DIMENSION TOLERANCE

.x ±0.30 x° ±2°
.xx ±0.20
.xxx ±0.10

P/N	T510BF0T00	CHECKED	David	UNIT	mm	DATE	2010/08/30
DRAWN	Michael	APPROVED	Lily	SCALE	1:1	REV	A

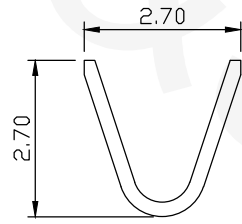
☆☆☆ 510 Series ☆☆☆

P/N: T510BM0T00

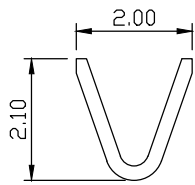
Conductor: Brass, Tin-Plated

Thickness: 0.25mm

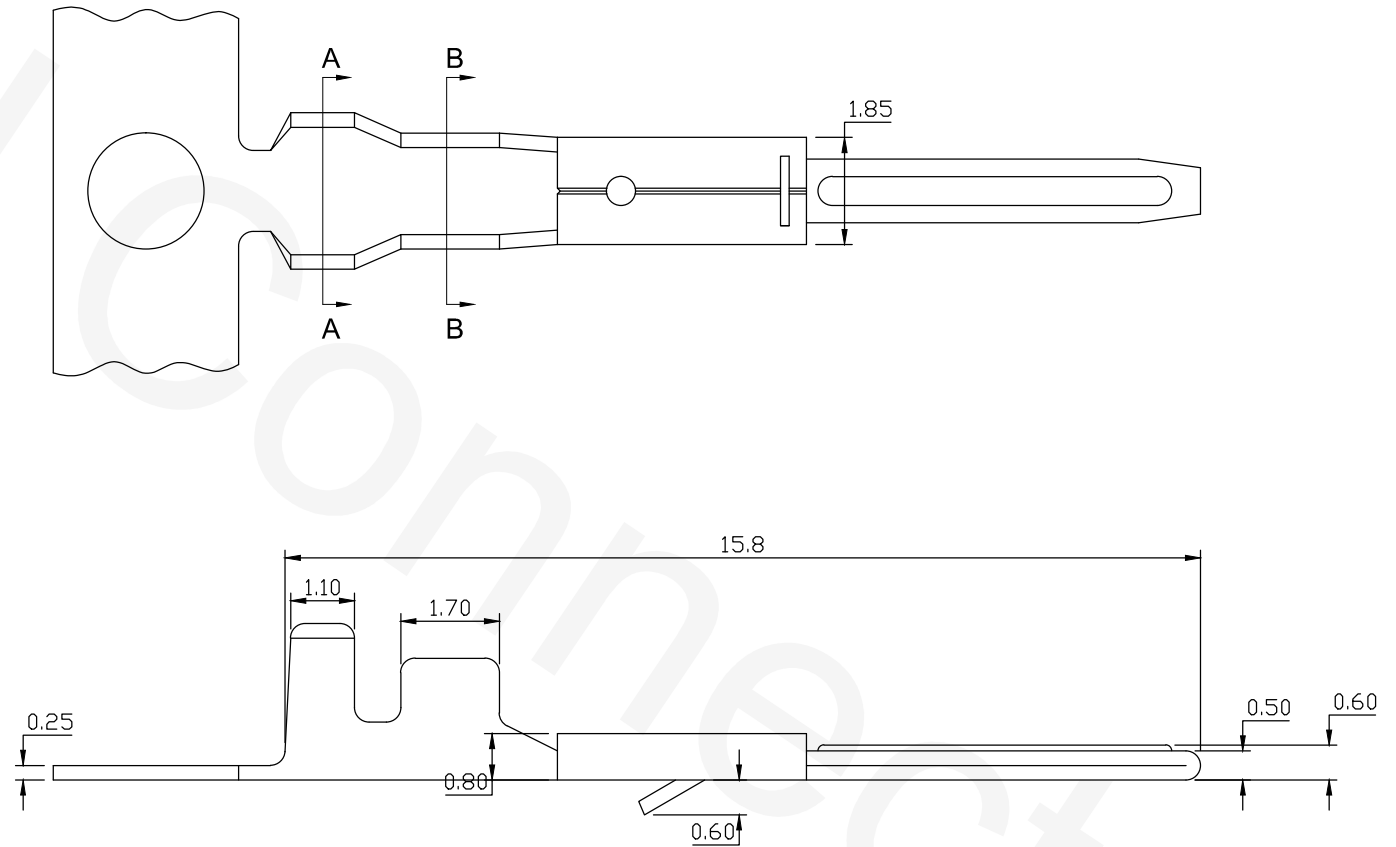
REVISIONS			
REV	DESCRIPTION	DATE	DRAWN
A			



Section A-A



Section B-B



RoHS Compliant



TEL: 886-2-86871898 FAX: 886-2-86872959
 Mail: tceldh@gmail.com Web: http://www.cnj.tw/

TITLE

.098"(2.5mm) Wire to Wire Crimp Terminal

DIMENSION TOLERANCE

.x ±0.30 x° ±2°
 .xx ±0.20
 .xxx ±0.10

P/N	T510BM0T00	CHECKED	David	UNIT	mm	DATE	2010/08/30
DRAWN	Michael	APPROVED	Lily	SCALE	1:1	REV	A