

☆☆☆ 151 Series ☆☆☆

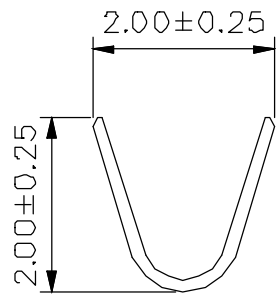
P/N: T151P00T00

Material: Phosphor Bronze, Tin-Plated

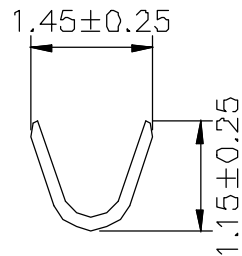
Wire Range: AWG#24~#28

Q'ty/reel: 10k pcs

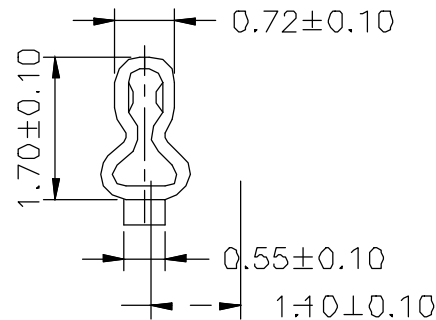
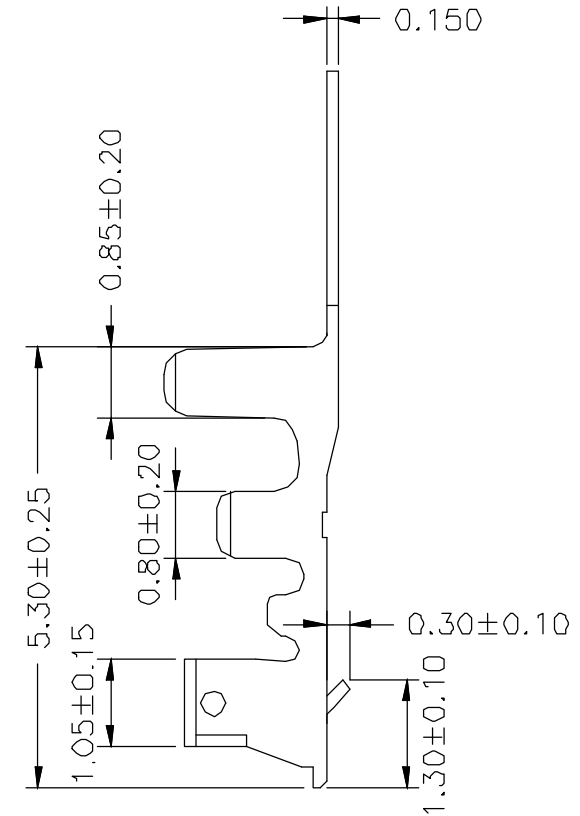
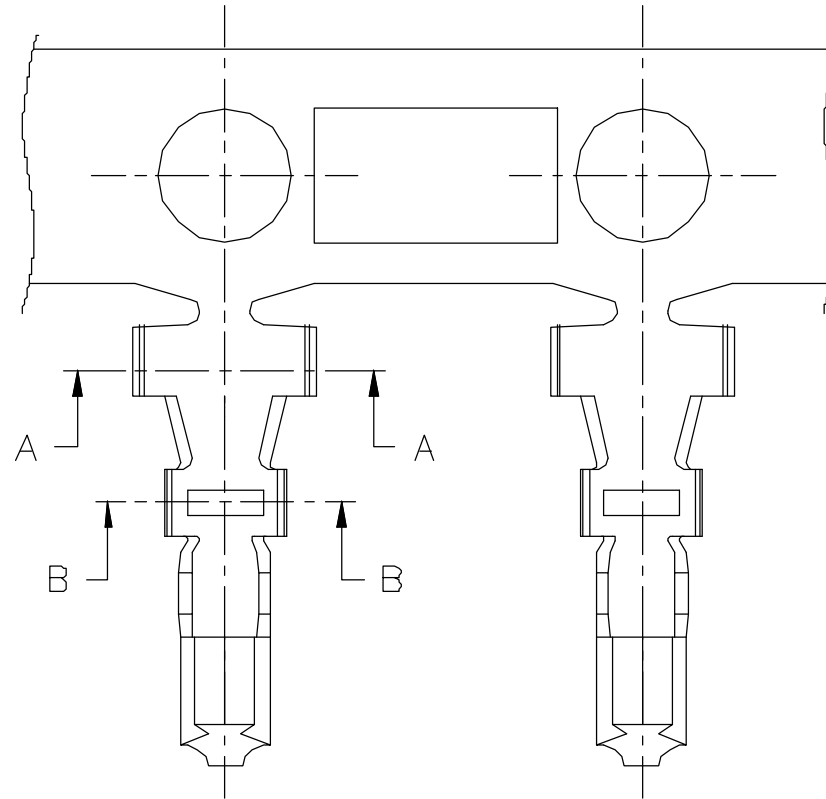
Insulation O.D.: 1.10mm(Max.)



Section A-A



Section B-B



TITLE

.059"(1.5mm) Wire to Board Terminal

.x ±0.30 x° ±2°
.xx ±0.20 DIMENSION
.xxx ±0.10 TOLERANCE

P/N	T151P00T00	CHECKED	David	UNIT	mm	DATE	2013/10/20
DRAWN	Michael	APPROVED	Lily	SCALE	1:1	REV	A



RoHS Compliant

@ <http://www.cnj.tw/>

☆☆☆ 151 Series ☆☆☆

P/N: H151S**000

Material: Nylon 6/6, UL 94V-0, White

Available: 2~15P

Current Rating: 3A AC/DC

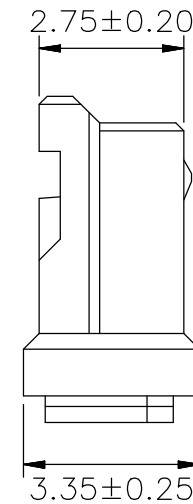
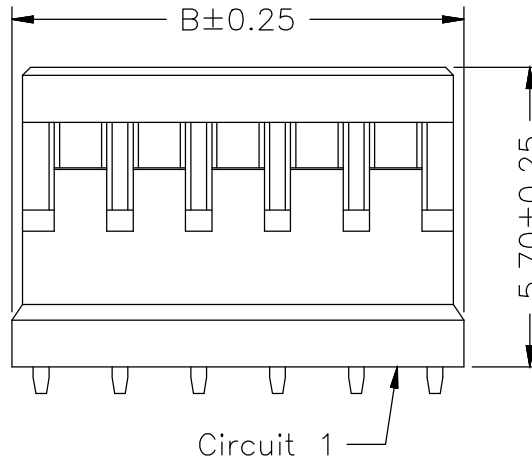
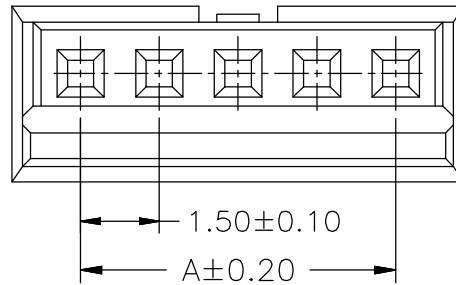
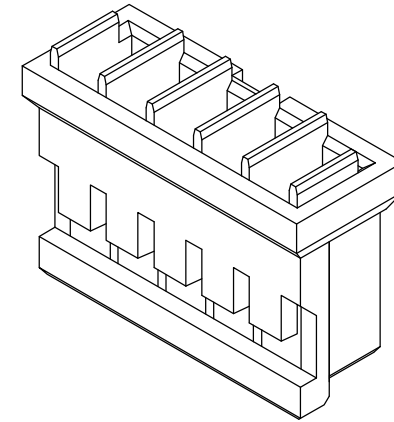
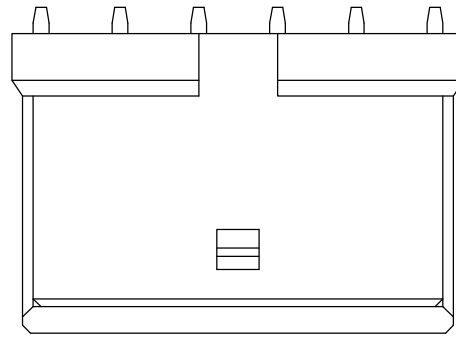
Voltage Rating: 350V AC/DC

Contact Resistance: 20mΩ Max.

Insulation Resistance: 1000MΩ Min.

Withstanding Voltage: 500V AC/minutes

Temperature Range: -25°C~85°C



Circuitis	Dim. A	Dim. B
2	1.50	4.10
3	3.00	5.60
4	4.50	7.10
5	6.00	8.60
6	7.50	10.10
7	9.00	11.60
8	10.50	13.10
9	12.00	14.60
10	13.50	16.10
11	15.00	17.60
12	16.50	19.10
13	18.00	20.60
14	19.50	22.10
15	21.00	23.60

TITLE

.059"(1.5mm) Wire to Board Housing

.x ±0.30 x° ±2°
.xx ±0.20 DIMENSION
.xxx ±0.10 TOLERANCE

P/N	H151S**000	CHECKED	David	UNIT	mm	DATE	2013/10/20
DRAWN	Michael	APPROVED	Lily	SCALE	1:1	REV	A



RoHS Compliant

@ <http://www.cnj.tw/>