

☆☆☆ 208 Series ☆☆☆

P/N: H208S**000

Material: Nylon 6/6, UL 94V-0, White

Available: 4~40P

Mate with W208

Current Rating: 1A AC/DC

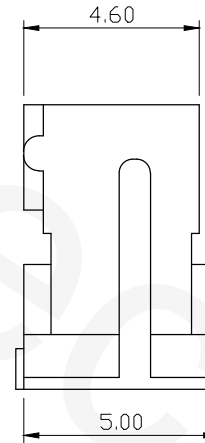
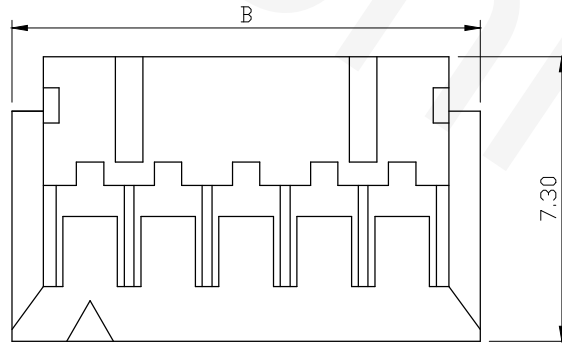
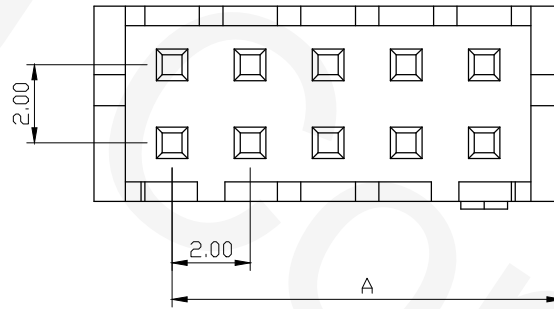
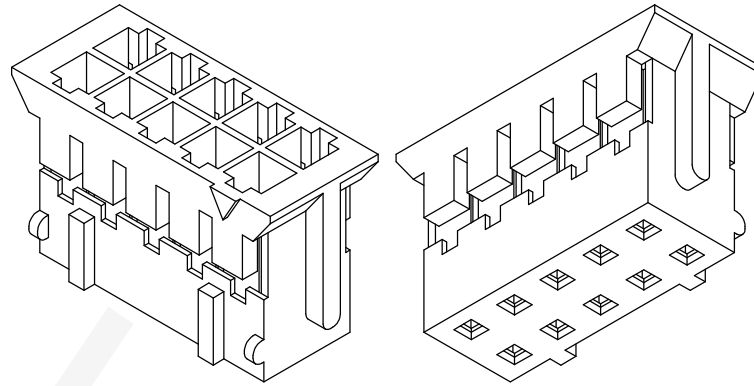
Voltage Rating: 130V AC/DC

Contact Resistance: 20mΩ Max.

Insulation Resistance: 1000MΩ Min.

Withstanding Voltage: 800V AC/minute

Operating Temperature Range: -25°C~85°C



REVISIONS

REV	DESCRIPTION	DATE	DRAWN
A			

Circuitis	Dim. A	Dim. B
4	2.00	6.00
6	4.00	8.00
8	6.00	10.00
10	8.00	12.00
12	10.00	14.00
14	12.00	16.00
16	14.00	18.00
18	16.00	20.00
20	18.00	22.00
22	20.00	24.00
24	22.00	26.00
26	24.00	28.00
28	26.00	30.00
30	28.00	32.00
32	30.00	34.00
40	38.00	42.00

RoHS Compliant



TEL: 886-2-86871898 FAX: 886-2-86872959
 Mail: tceldh@gmail.com Web: http://www.cnj.tw/

TITLE

.079"(2.0mm) Wire to Board Housing

DIMENSION TOLERANCE

.x ±0.30 x° ±2°
 .xx ±0.20
 .xxx ±0.10

P/N	H208S**000	CHECKED	David	UNIT	mm	DATE	2010/08/03
DRAWN	Michael	APPROVED	Lily	SCALE	1:1	REV	A

A

B

C

D

E

F

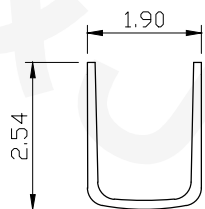
☆☆☆ 208 Series ☆☆☆

P/N: T208P00T00

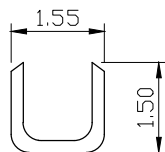
Conductor: Phosphor Bronze/ Tin-Plated

Thickness: 0.2mm

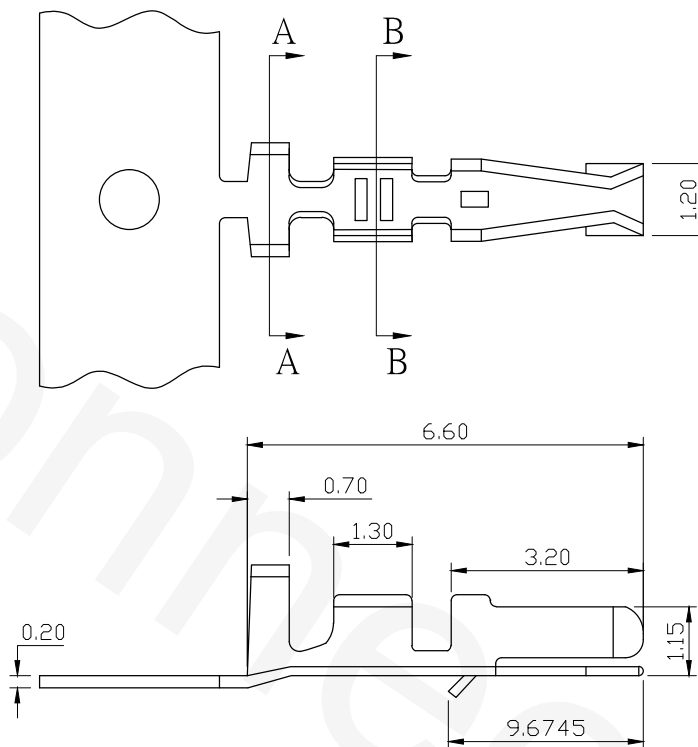
REVISIONS			
REV	DESCRIPTION	DATE	DRAWN
A			



Section A-A



Section B-B



RoHS Compliant



C&J Connector

TEL: 886-2-86871898 FAX: 886-2-86872959
 Mail: tceldh@gmail.com Web: http://www.cnj.tw/

TITLE

.079"(2.0mm) Crimp Terminal

DIMENSION TOLERANCE

.x ±0.30 x° ±2°

.xx ±0.20

.xxx ±0.10

P/N	T208P00T00	CHECKED	David	UNIT	mm	DATE	2010/08/04
DRAWN	Michael	APPROVED	Lily	SCALE	1:1	REV	A

A

B

C

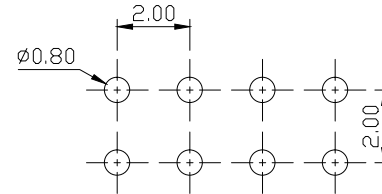
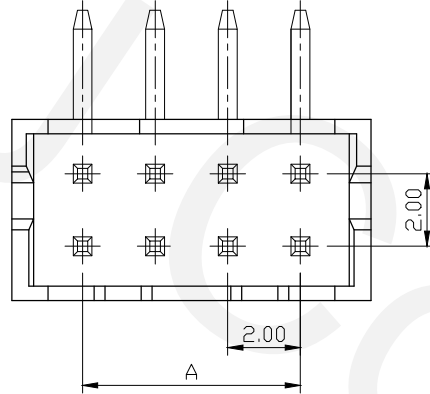
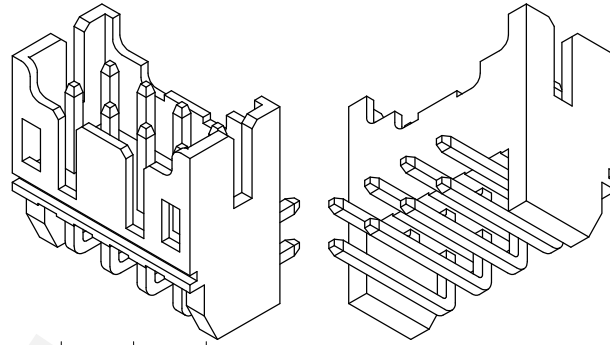
D

E

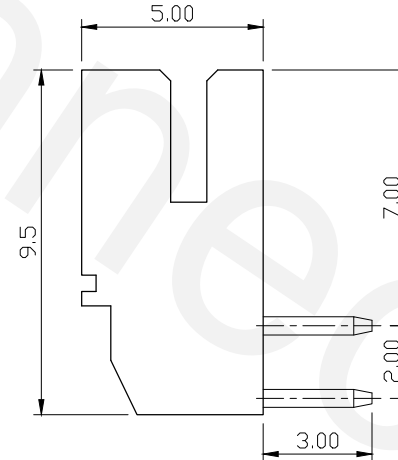
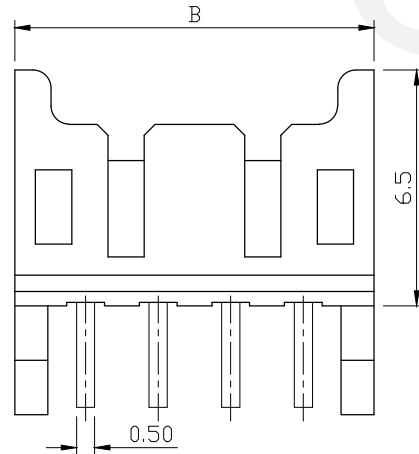
F

☆☆☆ 208 Series ☆☆☆

P/N: W208HT00**
Material: Nylon 6/6, UL 94V-0
Conductor: SQ0.5, Brass, Tin-Plated
Available: 4~40P
Mate with H208
Current Rating: 1A AC/DC
Voltage Rating: 130V AC/DC
Contact Resistance: 20mΩ Max.
Insulation Resistance: 1000MΩ Min.
Withstanding Voltage: 800V AC/minute
Operating Temperature Range: -25°C~85°C



RECOMMENDED P.C. BOARD HOLE DIMM.



REVISIONS			
REV	DESCRIPTION	DATE	DRAWN
A			

Circuitis	Dim. A	Dim. B
4	2.00	5.90
6	4.00	7.90
8	6.00	9.90
10	8.00	11.90
12	10.00	13.90
14	12.00	15.90
16	14.00	17.90
18	16.00	19.90
20	18.00	21.90
22	20.00	23.90
24	22.00	25.90
26	24.00	27.90
28	26.00	29.90
30	28.00	31.90
32	30.00	33.90
34	32.00	35.90
36	34.00	37.90
38	36.00	39.90
40	38.00	41.90

RoHS Compliant



TEL: 886-2-86871898 FAX: 886-2-86872959
 Mail: tceldh@gmail.com Web: http://www.cnj.tw/

TITLE

.079"(2.0mm) Wire to Board Horizontal Wafer

DIMENSION TOLERANCE

.x ±0.30 x° ±2°
 .xx ±0.20
 .xxx ±0.10

P/N	W208H**T00	CHECKED	David	UNIT	mm	DATE	2010/10/25
DRAWN	Michael	APPROVED	Lily	SCALE	1:1	REV	A

☆☆☆ 208 Series ☆☆☆

P/N: W208V12T10

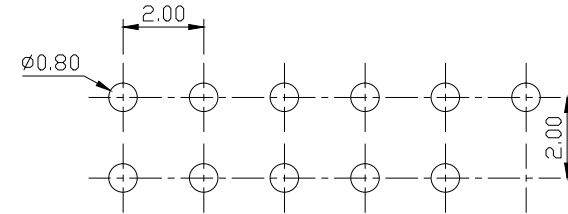
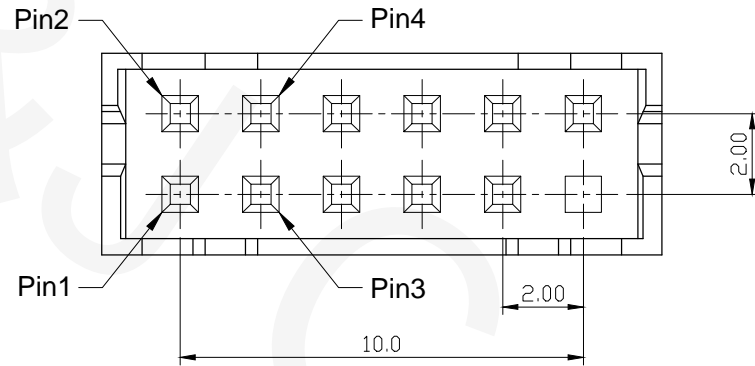
Material: Nylon 6/6, UL 94V-0

Conductor: SQ0.5*7.7mm, Brass

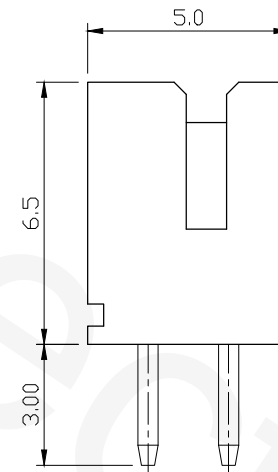
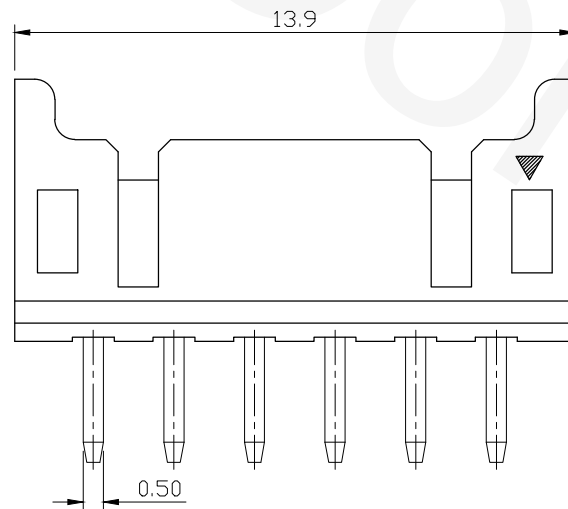
Plating: Tin 80u" over Ni 30u"

Available: 4~40P

Mate with H208



RECOMMENDED P.C. BOARD HOLE DIMM.



RoHS Compliant



TEL: 886-2-86871898 FAX: 886-2-86872959
 Mail: tceldh@gmail.com Web: http://www.cnj.tw/

TITLE

.079"(2.0mm) Wire to Board Vertical Wafer

DIMENSION TOLERANCE

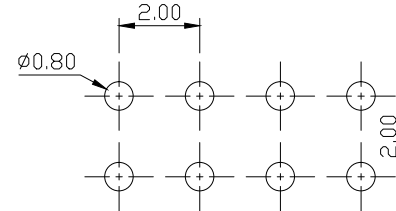
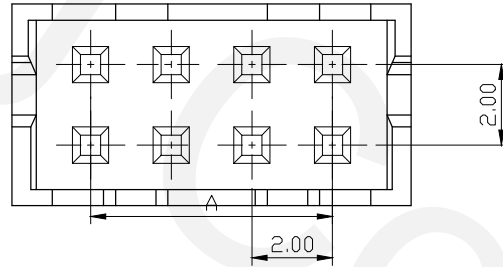
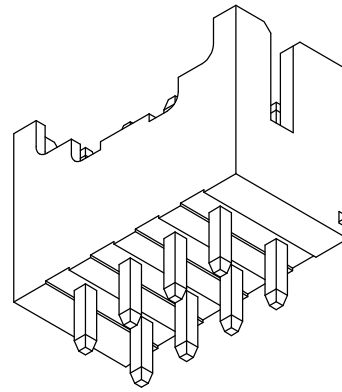
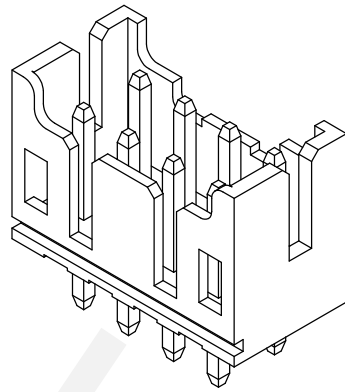
.x ±0.15
 .xx ±0.10
 .xxx ±0.05

P/N	W208V12T10	CHECKED	David	UNIT	mm	DATE	2010/10/25
DRAWN	Michael	APPROVED	Lily	SCALE	1:1	REV	A

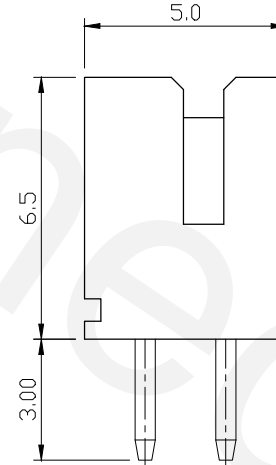
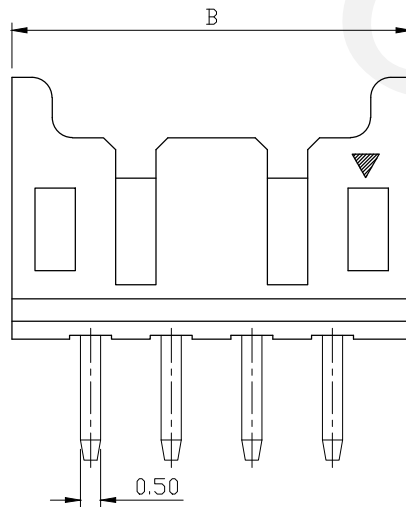
REVISIONS			
REV	DESCRIPTION	DATE	DRAWN
A			

☆☆☆ 208 Series ☆☆☆

P/N: W208VT00**
Material: Nylon 6/6, UL 94V-0
Conductor: SQ0.5*7.7mm, Brass, Tin-Plated
Available: 4~40P
Mate with H208
Current Rating: 1A AC/DC
Voltage Rating: 130V AC/DC
Contact Resistance: 20mΩ Max.
Insulation Resistance: 1000MΩ Min.
Withstanding Voltage: 800V AC/minute
Operating Temperature Range: -25°C~85°C



RECOMMENDED P.C. BOARD HOLE DIMM.



REVISIONS			
REV	DESCRIPTION	DATE	DRAWN
A			

Circuitis	Dim. A	Dim. B
4	2.00	5.90
6	4.00	7.90
8	6.00	9.90
10	8.00	11.90
12	10.00	13.90
14	12.00	15.90
16	14.00	17.90
18	16.00	19.90
20	18.00	21.90
22	20.00	23.90
24	22.00	25.90
26	24.00	27.90
28	26.00	29.90
30	28.00	31.90
32	30.00	33.90
34	32.00	35.90
36	34.00	37.90
38	36.00	39.90
40	38.00	41.90

RoHS Compliant



TEL: 886-2-86871898 FAX: 886-2-86872959
 Mail: tceldh@gmail.com Web: http://www.cnj.tw/

TITLE

.079"(2.0mm) Wire to Board Vertical Wafer

DIMENSION TOLERANCE

.x ±0.30 x° ±2°
 .xx ±0.20
 .xxx ±0.10

P/N	W208V**T00	CHECKED	David	UNIT	mm	DATE	2010/10/25
DRAWN	Michael	APPROVED	Lily	SCALE	1:1	REV	A

☆☆☆ 208 Series ☆☆☆

P/N: W208V**T9B-HF

Material: High Temperature Thermoplastic,
UL 94V-0, Halogen-Free

Color: Black

Conductor: SQ0.5*7.7mm, Brass, Tin-Plated

Available: 4~40P

Mate with H208

Current Rating: 3A AC/DC

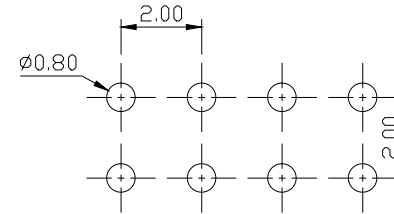
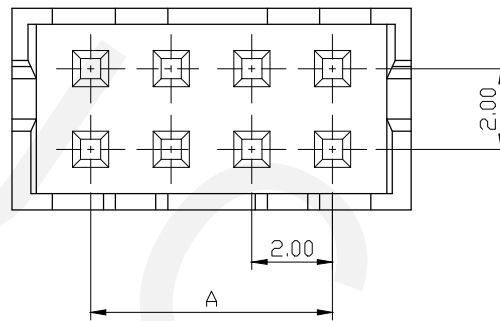
Voltage Rating: 250V AC/DC

Contact Resistance: 10MΩ Max.

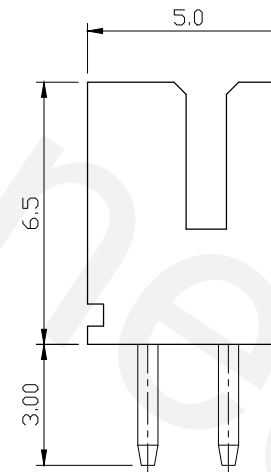
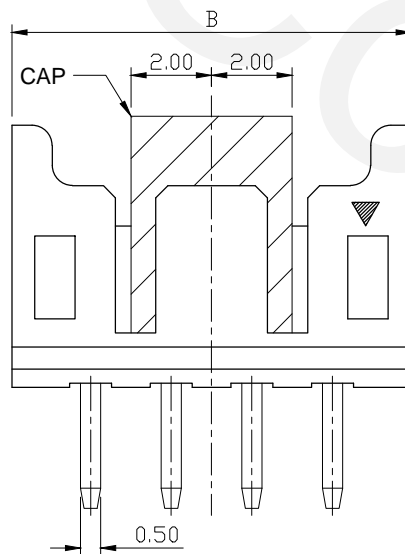
Insulation Resistance: 1000MΩ Min.

Withstanding Voltage: 800V AC/minute

Operating Temperature Range: -25°C~85°C



RECOMMENDED P.C.BOARD HOLE DIMM.



REVISIONS			
REV	DESCRIPTION	DATE	DRAWN
A			

Circuitis	Dim. A	Dim. B
4	2.00	5.90
6	4.00	7.90
8	6.00	9.90
10	8.00	11.90
12	10.00	13.90
14	12.00	15.90
16	14.00	17.90
18	16.00	19.90
20	18.00	21.90
22	20.00	23.90
24	22.00	25.90
26	24.00	27.90
28	26.00	29.90
30	28.00	31.90
32	30.00	33.90
34	32.00	35.90
36	34.00	37.90
38	36.00	39.90
40	38.00	41.90

RoHS Compliant



TEL: 886-2-86871898 FAX: 886-2-86872959
Mail: tceldh@gmail.com Web: http://www.cnj.tw/

TITLE

.079"(2.0mm) Wire to Board Vertical Wafer

DIMENSION TOLERANCE

.x ±0.30 x° ±2°
.xx ±0.20
.xxx ±0.10

P/N	W208V**T9B-HF	CHECKED	David	UNIT	mm	DATE	2013/1/15
DRAWN	Michael	APPROVED	Lily	SCALE	1:1	REV	A