

☆☆☆ 233 Series ☆☆☆

P/N: H233S**000

Material: Nylon 6/6, UL 94V-0, Beige

Available: 2~16P

Mate with W233

Current Rating: 3A AC/DC

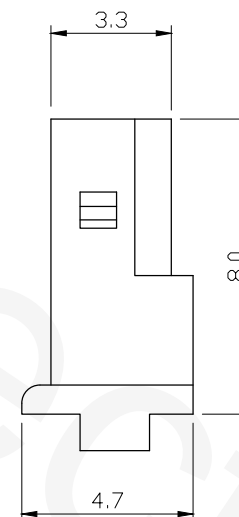
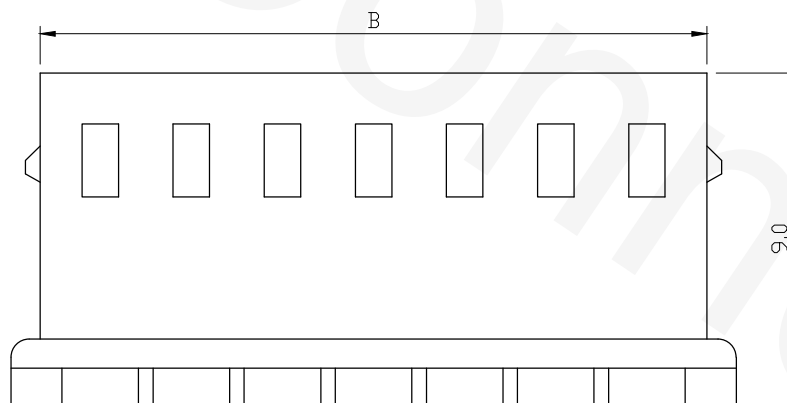
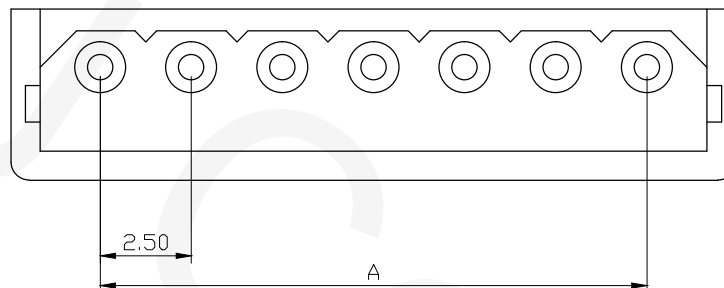
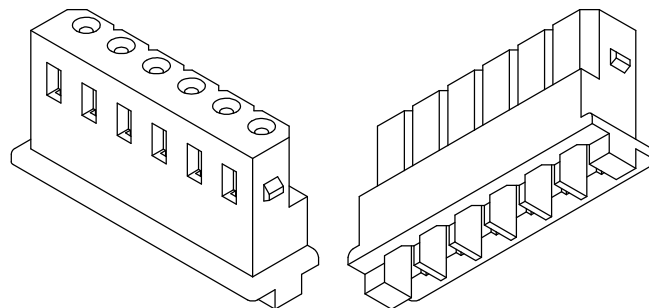
Voltage Rating: 250V AC/DC

Contact Resistance: 20mΩ Max.

Insulation Resistance: 1000MΩ Min.

Withstanding Voltage: 800V AC/minute

Operating Temperature Range: -25°C~85°C



REVISIONS			
REV	DESCRIPTION	DATE	DRAWN
A			

Circuitis	Dim. A	Dim. B
2	2.50	5.80
3	5.00	8.30
4	7.50	10.80
5	10.00	13.30
6	12.50	15.80
7	15.00	18.30
8	17.50	20.80
9	20.00	23.30
10	22.50	25.80
11	25.00	28.30
12	27.50	30.80
13	30.00	33.30
14	32.50	35.80
15	35.00	38.30
16	37.50	40.80

RoHS Compliant



TEL: 886-2-86871898 FAX: 886-2-86872959
 Mail: tceldh@gmail.com Web: http://www.cnj.tw/

TITLE

.098"(2.5mm) Wire to Board Housing

DIMENSION TOLERANCE

.x ±0.30 x° ±2°
 .xx ±0.20
 .xxx ±0.10

P/N	H233S**000	CHECKED	David	UNIT	mm	DATE	2011/08/03
DRAWN	Michael	APPROVED	Lily	SCALE	1:1	REV	A

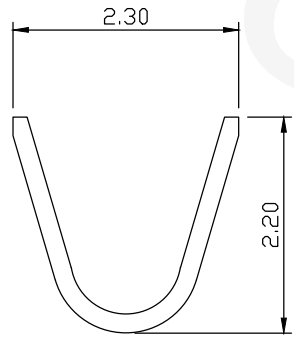
☆☆☆ 233 Series ☆☆☆

P/N: T233P00T00

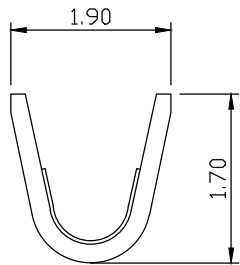
Conductor: Phosphor Bronze/ Tin-Plated

Thickness: 0.2mm

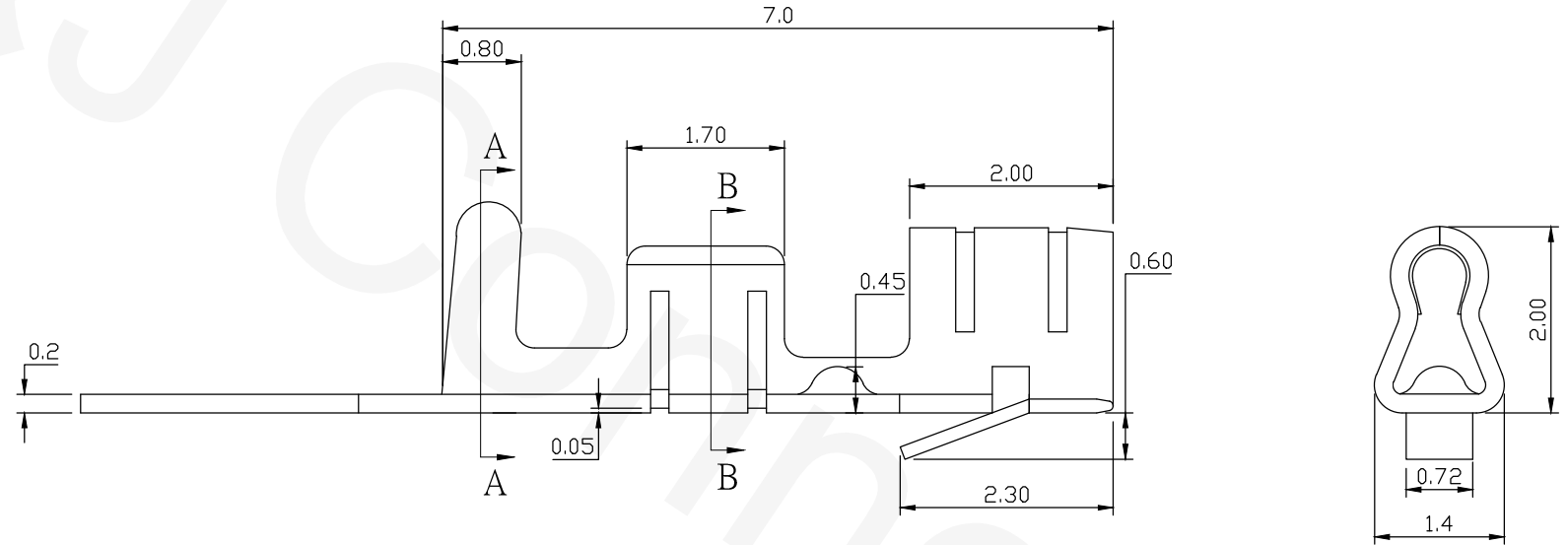
REVISIONS			
REV	DESCRIPTION	DATE	DRAWN
A			



Section A-A



Section B-B



RoHS Compliant



TEL: 886-2-86871898 FAX: 886-2-86872959
 Mail: tceldh@gmail.com Web: http://www.cnj.tw/

TITLE

.098"(2.5mm) Crimp Terminal

DIMENSION TOLERANCE

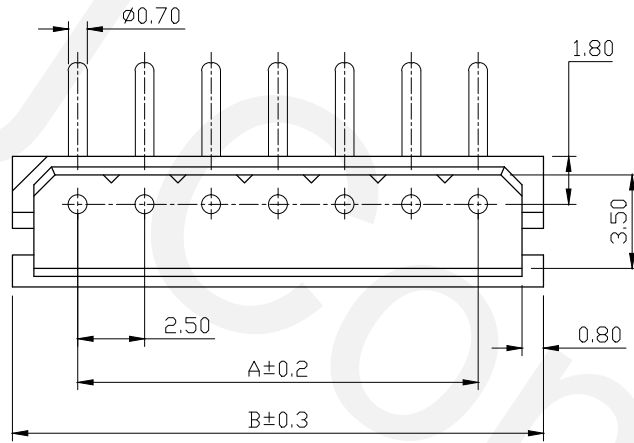
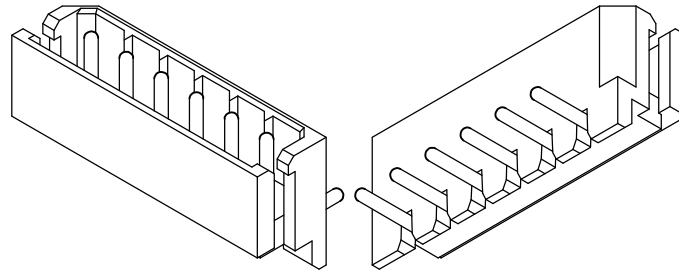
.x ±0.30 x° ±2°
 .xx ±0.20
 .xxx ±0.10

P/N	T233P00T00	CHECKED	David	UNIT	mm	DATE	2010/08/04
DRAWN	Michael	APPROVED	Lily	SCALE	1:1	REV	A

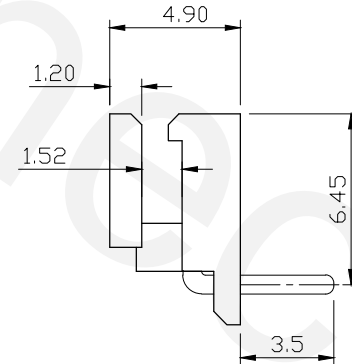
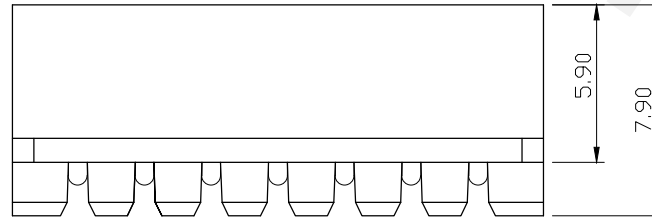
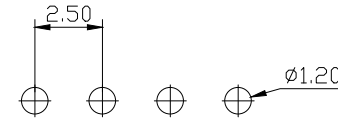
☆☆☆ 233 Series ☆☆☆

P/N: W233H**T00
 Material: Nylon 6/6, UL 94V-2, Beige
 Conductor: Brass / Tin-Plated
 Available: 2~12 Pins
 Mate with H233

Current Rating: 3A AC/DC
 Voltage Rating: 250V AC/DC
 Contact Resistance: 20mΩ Max.
 Insulation Resistance: 1000MΩ Min.
 Withstanding Voltage: 800V AC/minute
 Operating Temperature Range: -25°C~85°C



RECOMMENDED P.C.BOARD HOLE DIMM.



Circuitis	Dim. A	Dim. B
2	2.50	7.50
3	5.00	10.00
4	7.50	12.50
5	10.00	15.00
6	12.50	17.50
7	15.00	20.00
8	17.50	22.50
9	20.00	25.00
10	22.50	27.50
11	25.00	30.00
12	27.50	32.50

RoHS Compliant



TEL: 886-2-86871898 FAX: 886-2-86872959
 Mail: tceldh@gmail.com Web: http://www.cnj.tw/

TITLE

.098" (2.5mm) Wire to Board Horizontal Wafer

DIMENSION TOLERANCE

.x ±0.30 x° ±2°
 .xx ±0.20
 .xxx ±0.10

P/N	W233H**T00	CHECKED	David	UNIT	mm	DATE	2010/08/25
DRAWN	Michael	APPROVED	Lily	SCALE	1:1	REV	A

☆☆☆ **233 Series** ☆☆☆

P/N: W233V**T00

Material: Nylon 6/6, UL 94V-2, Beige

Conductor: Brass / Tin-Plated

Available: 2~12 Pins

Mate with H233

Current Rating: 3A AC/DC

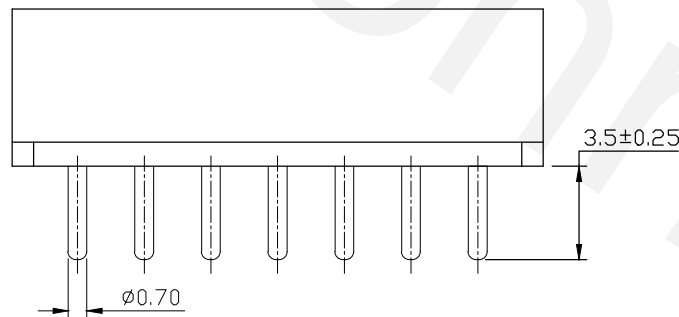
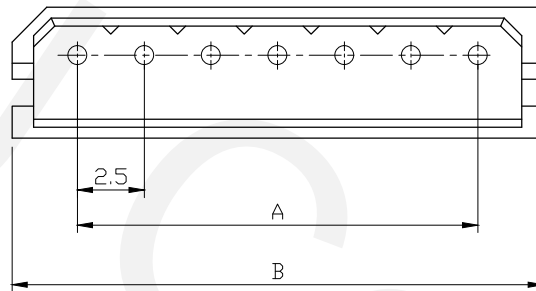
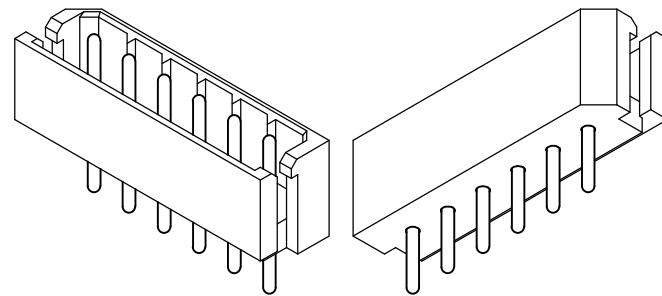
Voltage Rating: 250V AC/DC

Contact Resistance: 20mΩ Max.

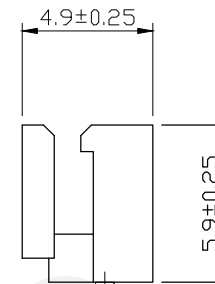
Insulation Resistance: 1000MΩ Min.

Withstanding Voltage: 800V AC/minute

Operating Temperature Range: -25°C~85°C



RECOMMENDED P.C.BOARD HOLE DIMM.



REVISIONS			
REV	DESCRIPTION	DATE	DRAWN
A			

RoHS Compliant



TEL: 886-2-86871898 FAX: 886-2-86872959
 Mail: tceldh@gmail.com Web: http://www.cnj.tw/

TITLE

.098" (2.5mm) 180° Wire to Board Vertical Wafer

DIMENSION TOLERANCE

.x ±0.30 x° ±2°
 .xx ±0.20
 .xxx ±0.10

Poles	Dimension mm (in.)							
	A	B						
	$(N - 1) * 2.5$	$(N + 1) * 2.5$						
P/N	W233V**T00	CHECKED	David	UNIT	mm	DATE	2010/08/25	
DRAWN	Michael	APPROVED	Lily	SCALE	1:1	REV	A	