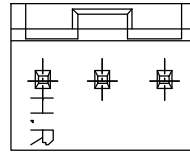


☆☆☆ 236 Series ☆☆☆

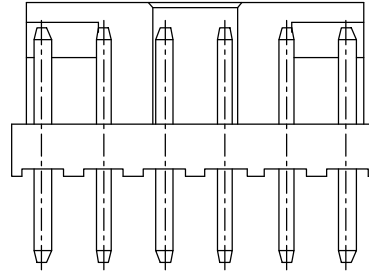
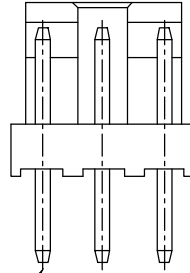
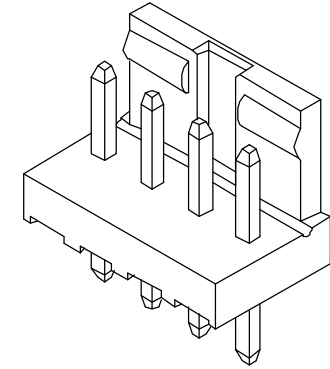
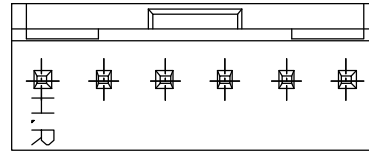
P/N: W236V**T00
 Material: Nylon 6/6, UL 94V-0
 Conductor: Brass, Tin-Plated
 Available: 2~15P

Current Rating: 3A AC/DC
 Voltage Rating: 500V AC/DC
 Contact Resistance: 20mΩ Max.
 Insulation Resistance: 100MΩ Min.
 Withstanding Voltage: 1500V AC/minute
 Operating Temperature Range: -25°~85°C

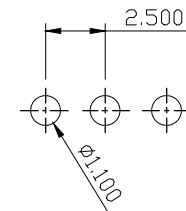
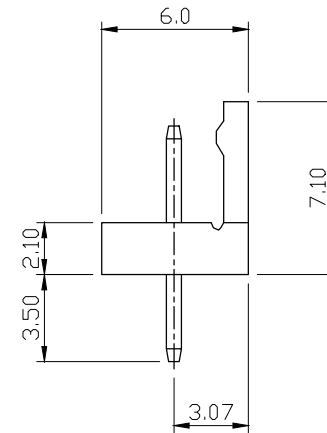
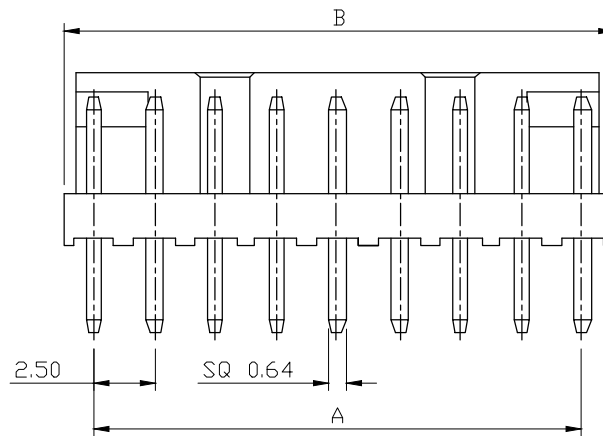
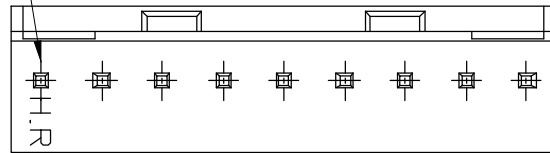
2~3P



4~6P



Pin1 7~15P



RECOMMENDED P.C. BOARD HOLE DIMM.

Circuitis	Dim. A	Dim. B
2	2.50	5.00
3	5.00	7.50
4	7.50	10.00
5	10.00	12.50
6	12.50	15.00
7	15.00	17.50
8	17.50	20.00
9	20.00	22.50
10	22.50	25.00
11	25.00	27.50
12	27.50	30.00
13	30.00	32.50
14	32.50	35.00
15	35.00	37.50

TITLE

.098"(2.5mm) Wire to Board Vertical Wafer

.x ±0.30 x° ±2°
 .xx ±0.20 DIMENSION
 .xxx ±0.10 TOLERANCE



P/N	W236V**T00	CHECKED	David	UNIT	mm	DATE	2013/10/20
DRAWN	Michael	APPROVED	Lily	SCALE	1:1	REV	A

RoHS Compliant

@ <http://www.cnj.tw/>