

☆☆☆ 263 Series ☆☆☆

P/N: H263S03000

Material: PC, UL 94V-2, Black

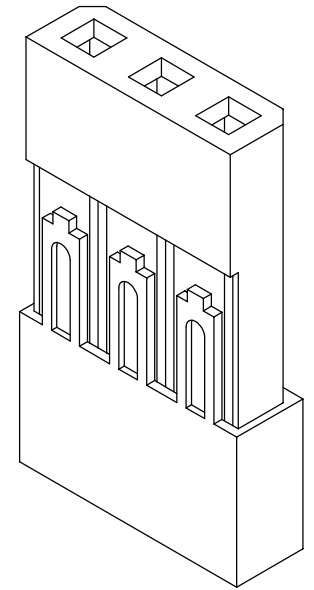
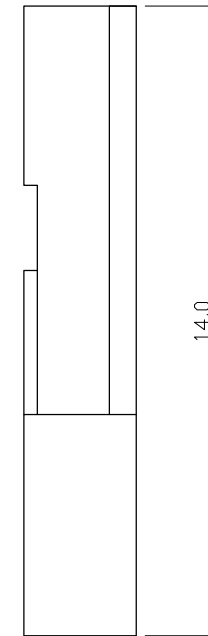
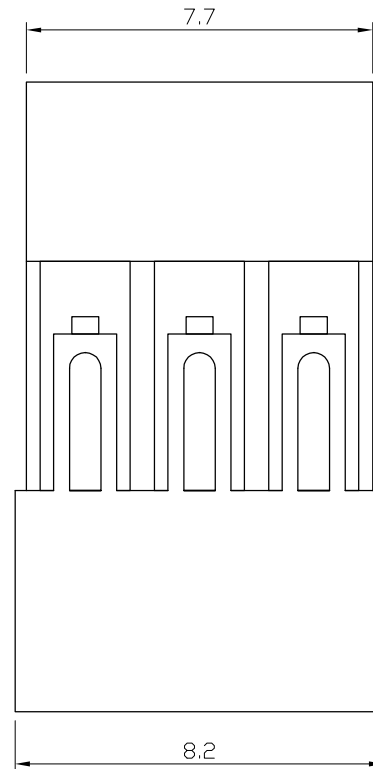
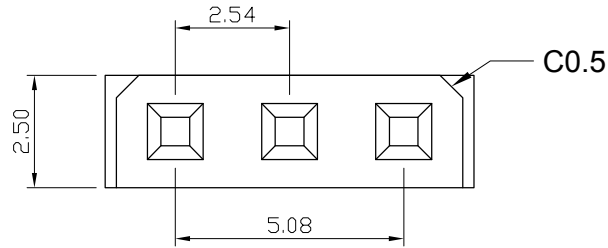
Current Rating: 3A AC/DC

Voltage Rating: 250V AC/DC

Insulation Resistance: 1000mΩ Min.

Withstanding Voltage: 800V AC/minute

Operating Temperature Range: -25°~85°C



TITLE

.100"(2.54mm) Wire to Wire 3P Housing

.x ±0.30 x° ±2°  
.xx ±0.20 DIMENSION  
.xxx ±0.10 TOLERANC

RoHS Compliant @ <http://www.cnj.tw/>

P/N	H263S03000	CHECKED	David	UNIT	mm	DATE	2010/10/20
DRAWN	Michael	APPROVED	Lily	SCALE	1:1	REV	A

# ☆☆☆ 263 Series ☆☆☆

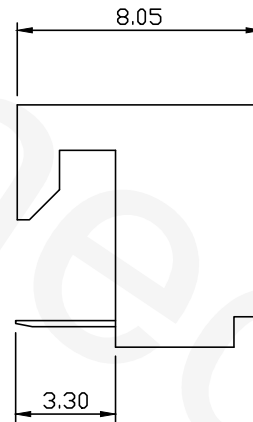
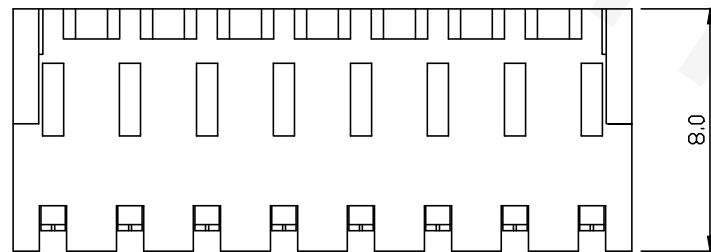
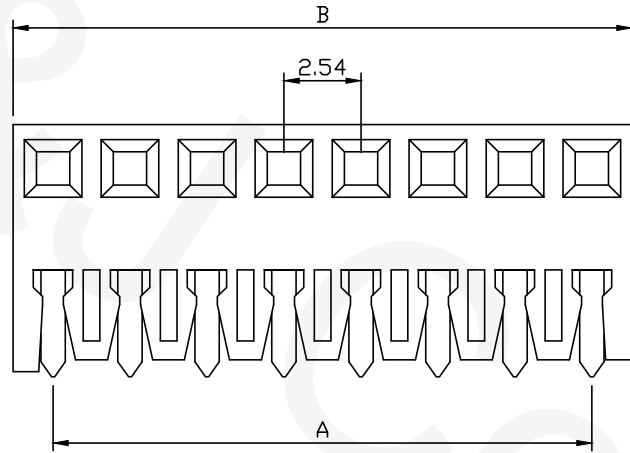
P/N: W263H\*\*T00

Material: Nylon 6/6, UL 94V-2, Wthie

Conductor: Brass, Tin-Plated

Available: 2~15P

Mate with H263



REVISIONS			
REV	DESCRIPTION	DATE	DRAWN
A			

Circuitis	Dim. A	Dim. B
2	2.54	5.18
3	5.08	7.72
4	7.62	10.26
5	10.16	12.80
6	12.70	15.34
7	15.24	17.88
8	17.78	20.42
9	20.32	22.96
10	22.86	25.50
11	25.40	28.04
12	27.94	30.58
13	30.48	33.12
14	33.02	35.66
15	35.56	38.20

RoHS Compliant



TEL: 886-2-86871898 FAX: 886-2-86872959  
 Mail: tceldh@gmail.com Web: http://www.cnj.tw/

TITLE  
 .100"(2.54mm) Board to Board Horizontal Wafer

DIMENSION TOLERANCE  
 .x ±0.30 x° ±2°  
 .xx ±0.20  
 .xxx ±0.10

P/N	W263H**T00	CHECKED	David	UNIT	mm	DATE	2010/08/27
DRAWN	Michael	APPROVED	Lily	SCALE	1:1	REV	A

☆☆☆ **263 Series** ☆☆☆

P/N: W263R\*\*T00

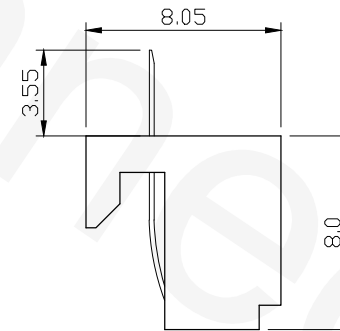
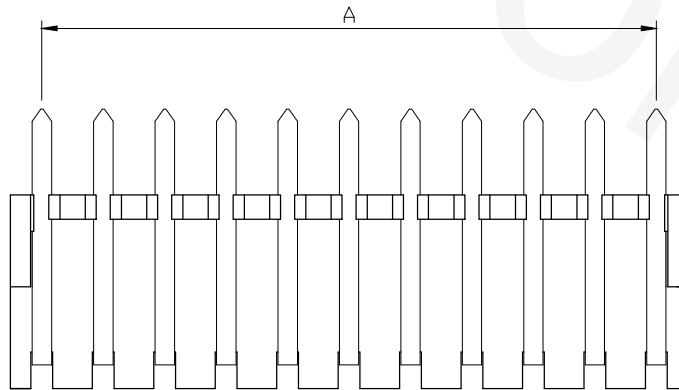
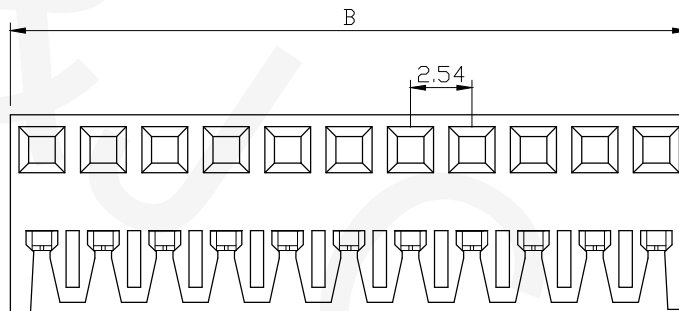
Material: Nylon 6/6, UL 94V-2, Wthie

Conductor: Brass, Tin-Plated

Available: 2~15P

Mate with H263

REVISIONS			
REV	DESCRIPTION	DATE	DRAWN
A			



Circuitis	Dim. A	Dim. B
2	2.54	5.18
3	5.08	7.72
4	7.62	10.26
5	10.16	12.80
6	12.70	15.34
7	15.24	17.88
8	17.78	20.42
9	20.32	22.96
10	22.86	25.50
11	25.40	28.04
12	27.94	30.58
13	30.48	33.12
14	33.02	35.66
15	35.56	38.20

RoHS Compliant



TEL: 886-2-86871898 FAX: 886-2-86872959  
 Mail: tceldh@gmail.com Web: http://www.cnj.tw/

TITLE  
 .100"(2.54mm) Board to Board Reversed Horizontal Wafer

DIMENSION TOLERANCE  
 .x ±0.30 x° ±2°  
 .xx ±0.20  
 .xxx ±0.10

P/N	W263R**T00	CHECKED	David	UNIT	mm	DATE	2010/08/27
DRAWN	Michael	APPROVED	Lily	SCALE	1:1	REV	A

☆☆☆ 263 Series ☆☆☆

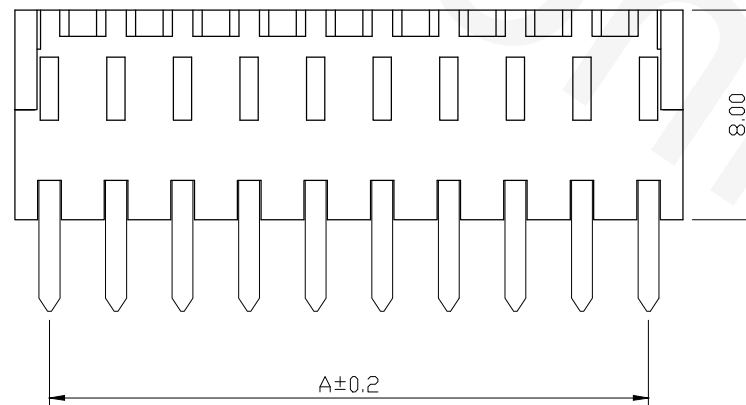
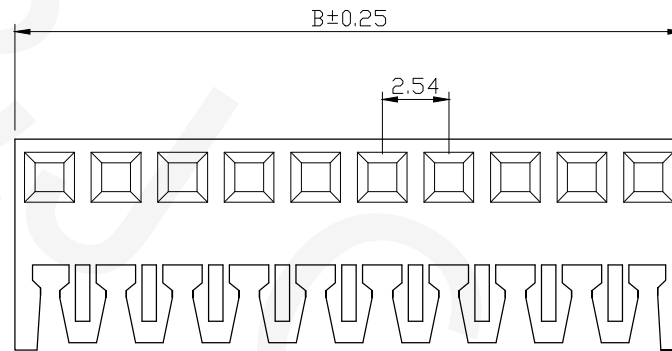
P/N: W263V\*\*T00

Material: Nylon 6/6, UL 94V-2, Wthie

Conductor: Brass, Tin-Plated

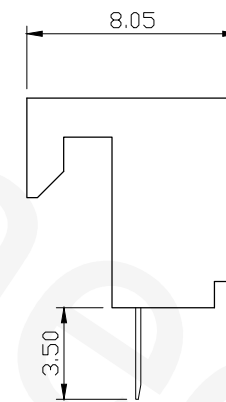
Available: 2~15P

Mate with H263



REVISIONS			
REV	DESCRIPTION	DATE	DRAWN
A			

Circuitis	Dim. A	Dim. B
2	2.54	5.18
3	5.08	7.72
4	7.62	10.26
5	10.16	12.80
6	12.70	15.34
7	15.24	17.88
8	17.78	20.42
9	20.32	22.96
10	22.86	25.50
11	25.40	28.04
12	27.94	30.58
13	30.48	33.12
14	33.02	35.66
15	35.56	38.20



RoHS Compliant



TEL: 886-2-86871898 FAX: 886-2-86872959  
 Mail: tceldh@gmail.com Web: http://www.cnj.tw/

TITLE

.100"(2.54mm) Board to Board Vertical Wafer

DIMENSION TOLERANCE

.x ±0.30 x° ±2°  
 .xx ±0.20  
 .xxx ±0.10

P/N	W263V**T00	CHECKED	David	UNIT	mm	DATE	2010/08/27
DRAWN	Michael	APPROVED	Lily	SCALE	1:1	REV	A